

# 100-625 Pressure Transducers

Accessories

DTRAN1906X012

## Specifications

For other materials or modifications, please consult TESCOM.

### OPERATING PARAMETERS

Pressure rating per criteria of ANSI/ASME B31.3

#### 100 Series

**Full Scale Accuracy:** +/- 0.25%  
**Ports:** 1/4" NPT (external)  
**Connections:** Mini Hirschmann  
**Output Signal:** 4-20 mA

#### 200 Series

**Full Scale Accuracy:** +/- 0.25%  
**Ports:** 1/4" NPT (external)  
**Connections:** Mini Hirschmann  
**Output Signal:** 0-10 VDC

#### 300 Series

**Full Scale Accuracy:** +/- 0.50%  
**Ports:** 1/4" NPT (external)  
**Connections:** Hirschmann  
**Output Signal:** 4-20 mA

#### 615 Series

**Full Scale Accuracy:** +/- 0.125%  
**Ports:** 1/2" NPT (external)  
**Connections:** Hirschmann  
**Output Signal:** 4-20 mA

#### 625 Series (intrinsically safe)

**Full Scale Accuracy:** +/- 0.25%  
**Ports:** 1/2" NPT (external)  
**Connections:** Hirschmann  
**Output Signal:** 4-20 mA

### OTHER

#### Includes Mating Connector

**Compensated Temperature Range:** 32°F to 175°F / 0°C to 79°C

Repeatability of +/- 0.05% full scale

Response time is less than 1 mS (100, 200, 615, 625 Series)

Response time is less than 4 mS (300 Series)



TESCOM Pressure Transducers are used in heavy duty applications requiring high accuracy and durability. The 100-625 Series utilize diffused semiconductor and sputtered thin film strain gauge technology. Pressure ranges come in all the standard values from -30 inch-Hg to 15,000 psig / -1.0 to 1034 bar including absolute transducers to 300 psia / 20 bar. Higher pressure ranges available in some series models. Pressure Transducers offer full scale accuracies of 0.5%, 0.25%, and 0.125%. The 625 Series is an intrinsically safe rated pressure transmitter.

## Applications

- Used with the TESCOM ER3000 Electropneumatic Controller
- Ideal for use in ER3000 applications where an external feedback signal is required

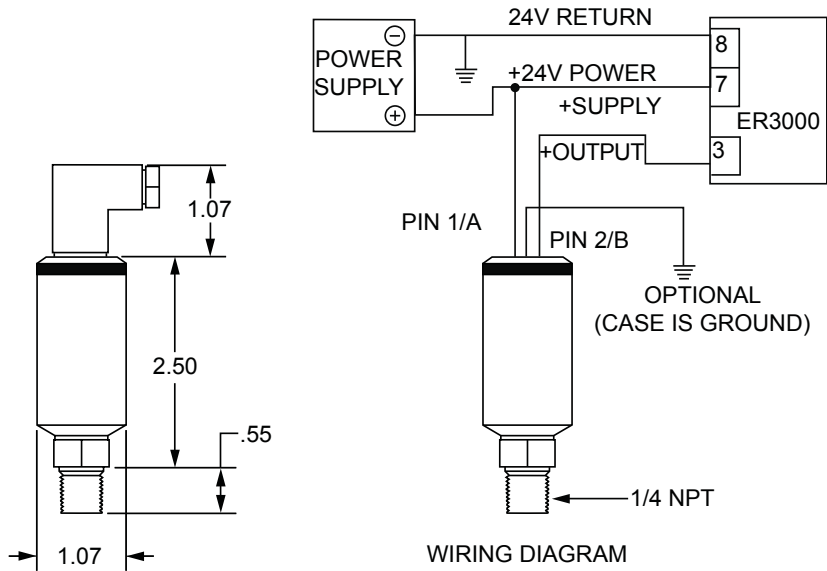
## Features and Benefits

- Provides extremely stable and repeatable hydraulic and pneumatic pressure measurements
- Suitable for a wide variety of industrial, laboratory, and test applications
- Provides significant immunity to noise due to RFI (walkie-talkie), EMC (electrical noise from motors), and ESD (static electricity generated in the application)<sup>1</sup>

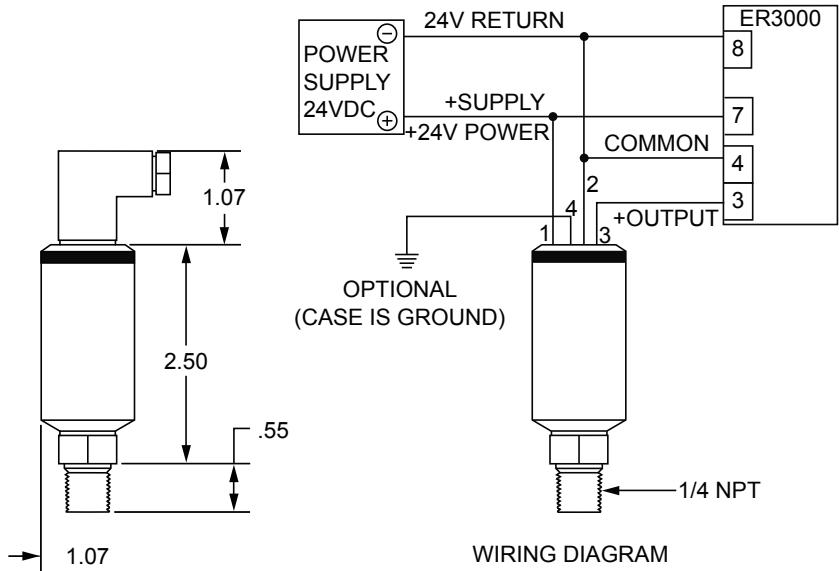
<sup>1</sup> Indicated by The CE marking, a requirement for sale in Europe

100-625 Pressure Transducers Accessories Drawings

100 SERIES



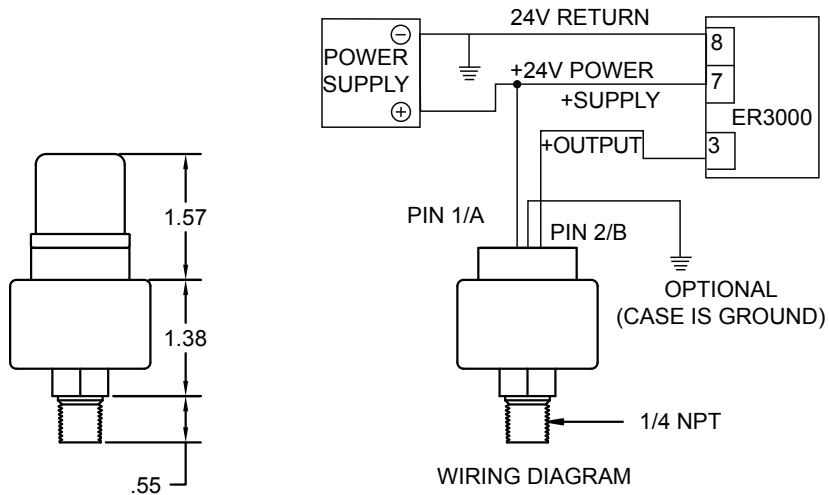
200 SERIES



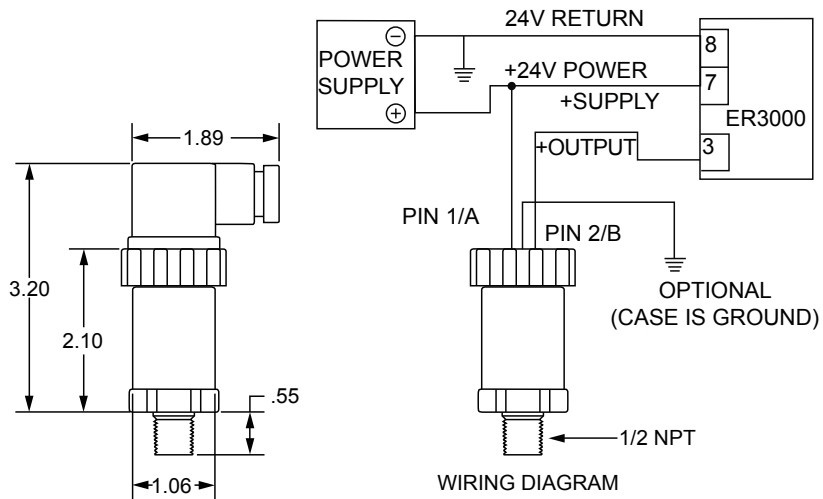
All dimensions are reference & nominal

# 100-625 Pressure Transducers Accessories Drawings

## 300 SERIES



## 615/625 SERIES



All dimensions are reference & nominal

## 100-625 Pressure Transducers Part Number Selector

*Repair Kits, Accessories & Modifications may be available for this product. Please contact TESCOM for more information.*

Example for selecting a part number:

**100 - 300 A - 2127**

BASIC SERIES	PRESSURE RANGE*	VACUUM AND PSIA OPTIONS	CONNECTION		
			SERIES	SIZE	
<b>100</b> <b>200</b> <b>300</b> <b>615</b> <b>625</b>	30" Vac to 15,000 psig / 1034 bar  <div style="border: 1px solid black; padding: 2px; width: fit-content;">* 615 Series is available up to 60,000 psig / 4137 bar</div>	<b>A</b> – Absolute <b>V</b> – Vacuum <b>Blank</b> – Gauge	<b>2127</b> <b>2527</b> <b>1128</b> <b>2128</b> <b>2188</b> <b>1128</b> <b>1188</b>	100 200 300 615 615 625 625	1/4" NPT 1/4" NPT 1/4" NPT 1/4" NPT 1/2" NPT 1/4" NPT 1/2" NPT