

## 26-1500 Series

### Regulators - Pressure Reducing

D26150541X012

### Specifications

For other materials or modifications, please consult TESCOM.

#### OPERATING PARAMETERS

Pressure rating per criteria of ANSI/ASME B31.3

##### Maximum Inlet Pressure

**Stainless:** 6000 psig / 414 bar

**Brass, Aluminum:** 5000 psig / 345 bar

##### Outlet Pressure Ranges

0-50, 0-150, 0-250 psig

0-3.4, 0-10.3, 0-17.2 bar

##### Design Proof Pressure

150% maximum rated

##### Leakage

Bubble-tight

##### Ambient Operating and Fluid Media Temperature

-40°F to 165°F / -40°C to 74°C

##### Flow Capacity

$C_v = 0.08$

##### Maximum Operating Torque

20 in-lbs / 2.3 N•m



TESCOM 26-1500 Series non-venting regulator offers a sensitive, large elastomeric diaphragm design and precision outlet pressure control.

#### MEDIA CONTACT MATERIALS

##### Body

316 Stainless Steel, Brass, Aluminum

##### Bonnet

300 Series Stainless Steel

##### 40 Micron Filter

316 Stainless Steel

##### Seat

CTFE

##### O-Rings

Buna-N

##### Diaphragm

Buna-N

##### Remaining parts

300 Series Stainless Steel

#### OTHER

##### Cleaning

CGA 4.1 and ASTM G93

##### Weight (without gauges)

**Stainless, Brass:** 3 lbs / 1.4 kg

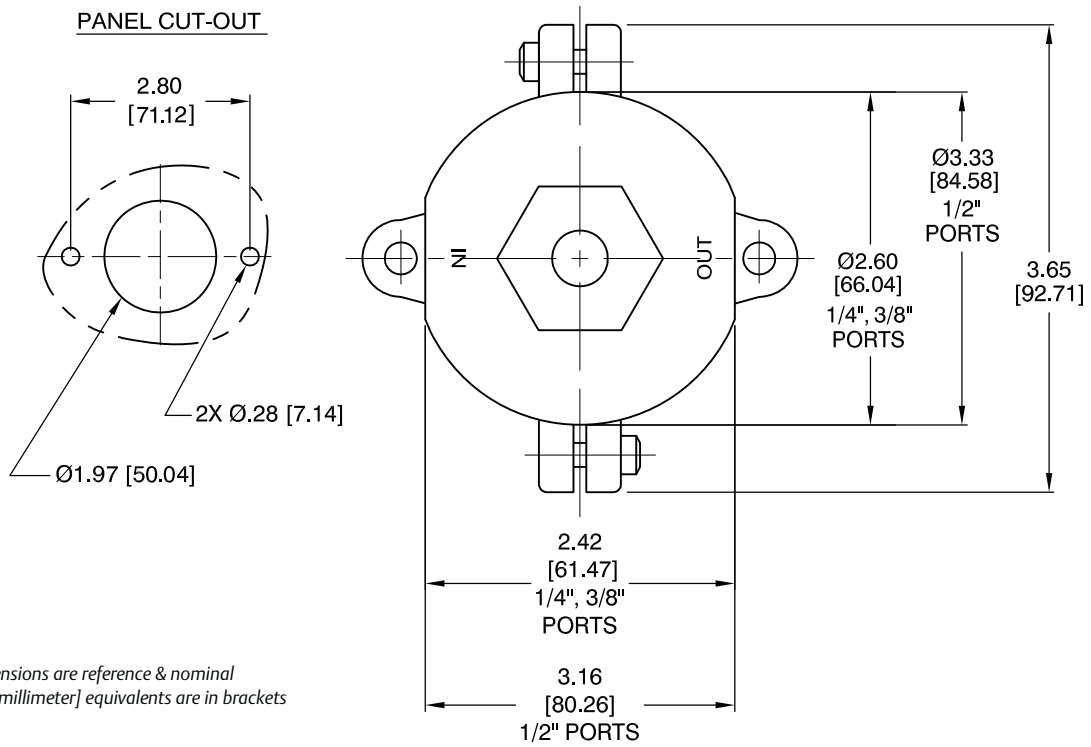
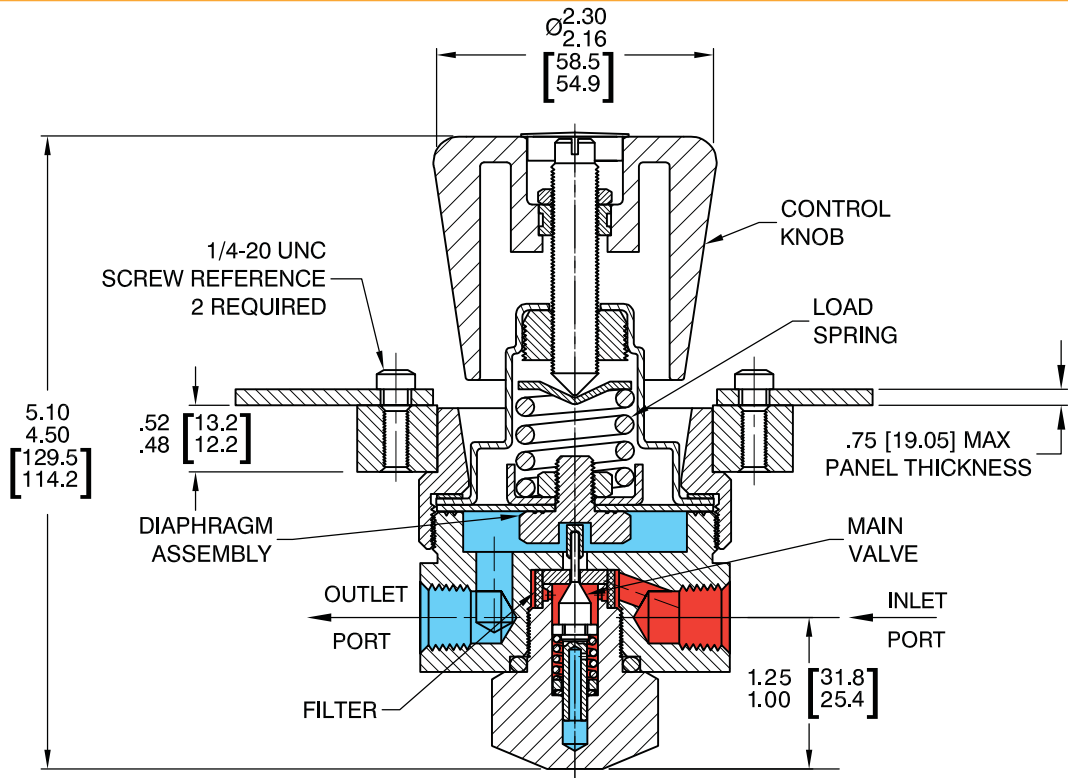
### Applications

- Research labs
- Breathing air diving manifolds
- Low flow purge systems
- Gas and liquid sampling

### Features and Benefits

- Diaphragm design for accurate pressure regulation
- Numerous porting and soft good options are available
- Excellent repeatability
- Non-venting (for venting design, see 26-1600 Series)
- Low operating handknob torque
- Panel mounting (bracket included)
- Available in Stainless Steel, Brass, or Aluminum construction
- Gauge ports are available
- High flow  $C_v = 0.24$  version is available (maximum inlet pressure: 3000 psig / 207 bar)

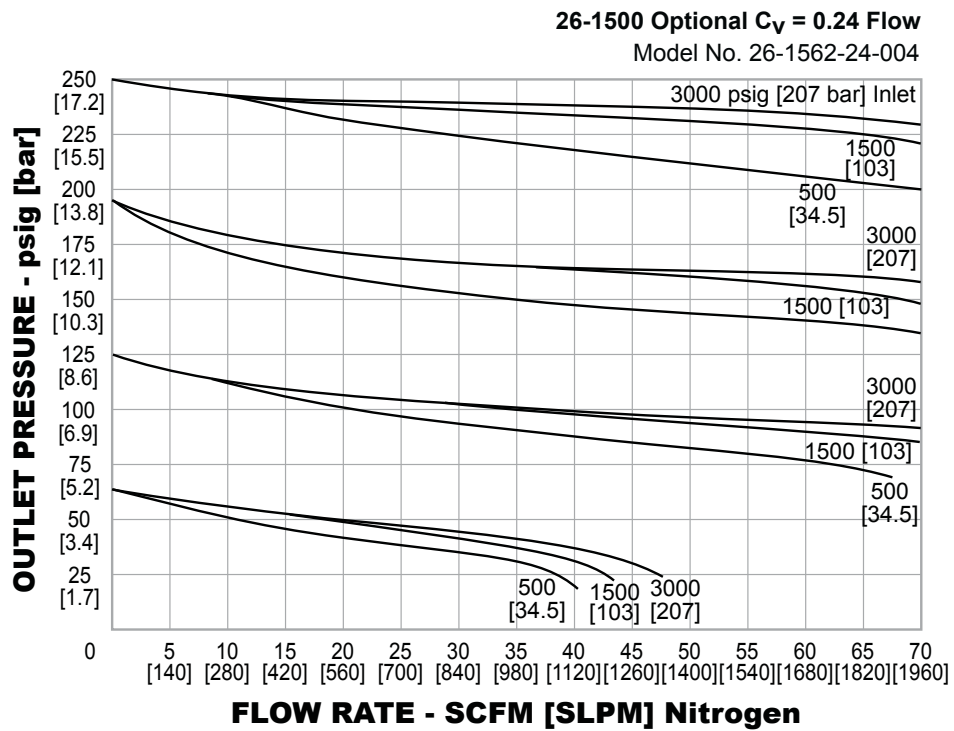
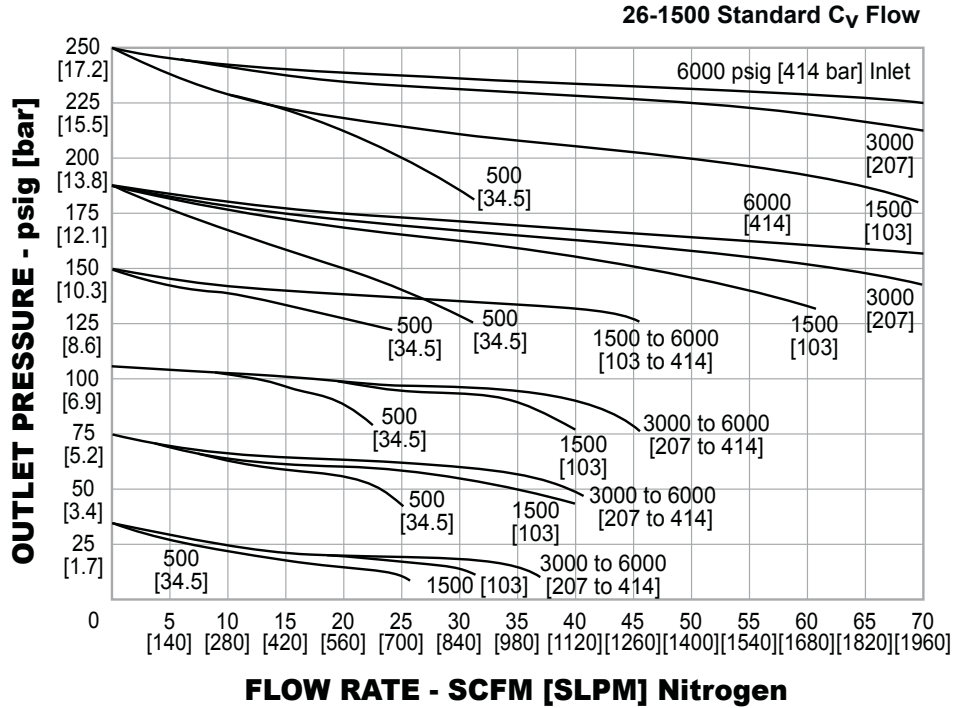
26-1500 Series Regulator Drawings



All dimensions are reference & nominal  
Metric [millimeter] equivalents are in brackets

## 26-1500 Series Regulator Flow Charts

For more information on how to read flow curves, please refer to the Flow Curves and Calculations document (debul2007x012) in the TESCOM catalog or on [www.tescom.com](http://www.tescom.com).



## 26-1500 Series Regulator Part Number Selector

*Repair Kits, Accessories & Modifications may be available for this product. Please contact TESCOM for more information.*

Example for selecting a part number:

26-15	6	1	-	2	4
BASIC SERIES	BODY MATERIAL	OUTLET PRESSURE RANGES		INLET, OUTLET, AND GAUGE PORT TYPE	INLET, OUTLET, AND GAUGE PORT SIZE
26-15	1 – Brass 3 – 2024 Aluminum 6 – 316 Stainless Steel	0 – 0-50 psig 0-3.4 bar  1 – 0-150 psig 0-10.3 bar  2 – 0-250 psig 0-17.2 bar		1 – SAE  2 – NPTF  3 – MS33649	4 – 1/4"  6 – 3/8"  8 – 1/2" (Stainless Steel only)