

26-1600 Series

Regulators - Pressure Reducing

D26160542X012

Specifications

For other materials or modifications, please consult TESCOM.

OPERATING PARAMETERS

Pressure rating per criteria of ANSI/ASME B31.3

Maximum Inlet Pressure

Stainless: 6000 psig / 414 bar

Aluminum, Brass: 5000 psig / 345 bar

Outlet Pressure Ranges

0-50, 0-150, 0-250, 0-500 psig

0-3.4, 0-10.3, 0-17.2, 0-34.5 bar

Design Proof Pressure

150% maximum rated

Leakage

Bubble-tight

Operating Temperature

-40°F to 165°F / -40°C to 74°C

Flow Capacity

$C_v = 0.08$

Maximum Operating Torque

25 in-lbs / 2.8 N•m



TESCOM 26-1600 Series highly accurate, diaphragm sensed pressure reducing regulator offers adjustable venting standard. Panel mounting, integrated 40 micron filter and low handknob torque ensure a robust and adaptable design with many modifications available.

MEDIA CONTACT MATERIALS

Body

316 Stainless Steel, Aluminum (2024-T351), Brass

Bonnet

316 Stainless Steel, Aluminum (2024-T351), Brass

40 Micron Filter

300 Series Stainless Steel

Main Valve Seat

CTFE

Vent Valve Seat

15% graphite-filled Teflon®

O-Ring

Buna-N

Diaphragm

Buna-N

Remaining Parts

300 Series Stainless Steel

OTHER

Cleaning

CGA 4.1 and ASTM G93

Weight (without gauges)

Stainless, Brass: 3.3 lbs / 1.5 kg

Aluminum: 2.8 lbs / 1.3 kg

Teflon® is a registered trademarks of E.I. du Pont de Nemours and Company.

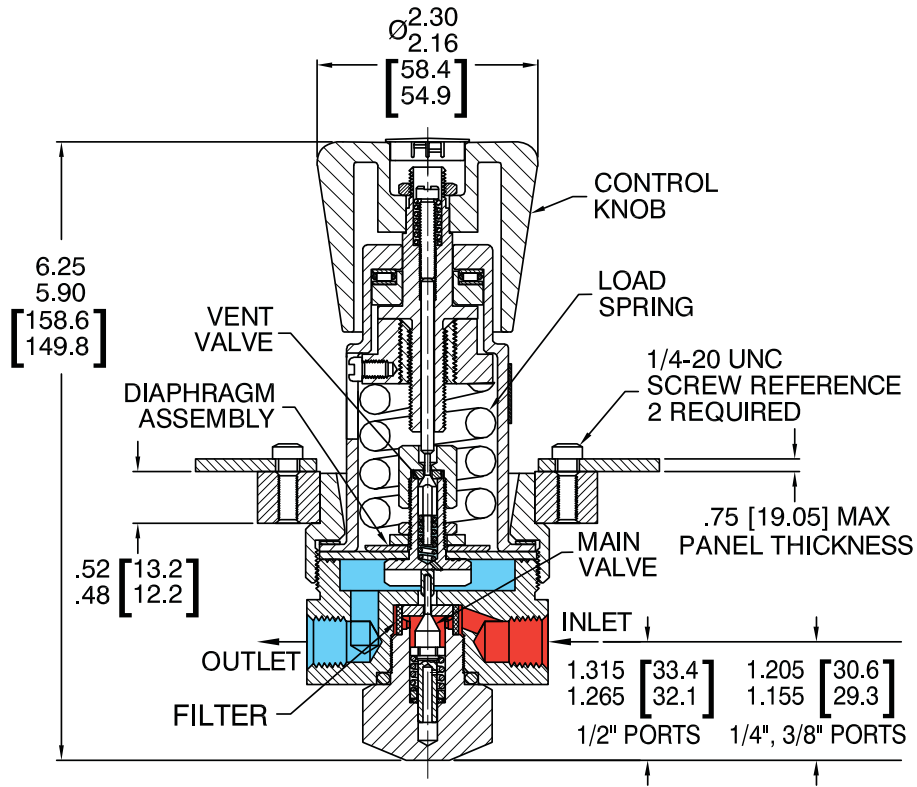
Applications

- Test equipment
- Calibration stands
- Production equipment

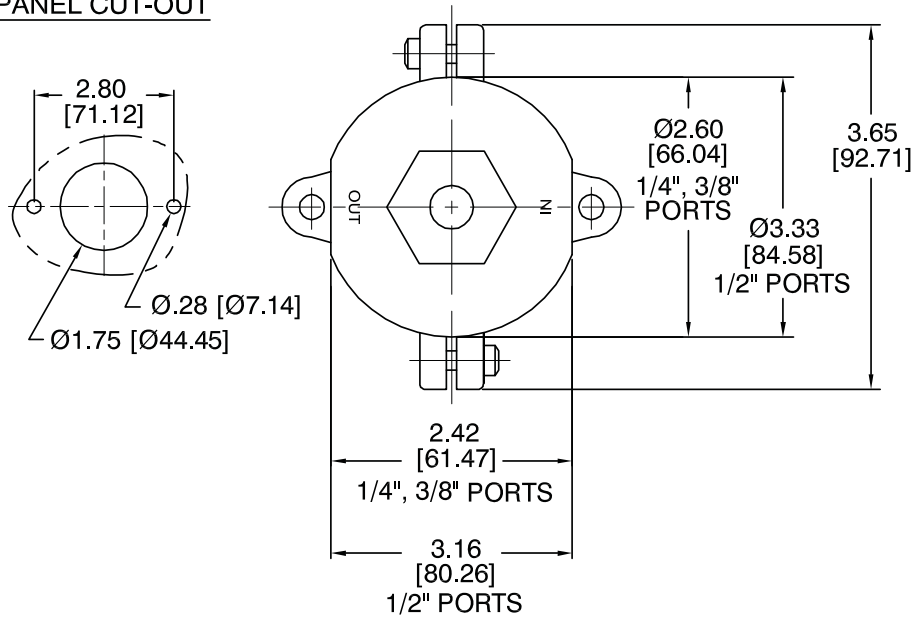
Features and Benefits

- Venting is standard (available with captured venting)
- Highly sensitive
- Features a non-rising stem and low operating torque
- Compact design
- Filter extends seat life
- Numerous porting options
- Panel mounting (bracket included)
- Easy maintenance with standard tools
- High flow $C_v = 0.24$ version is available (maximum inlet pressure: 3000 psig / 207 bar)

26-1600 Series Regulator Drawings



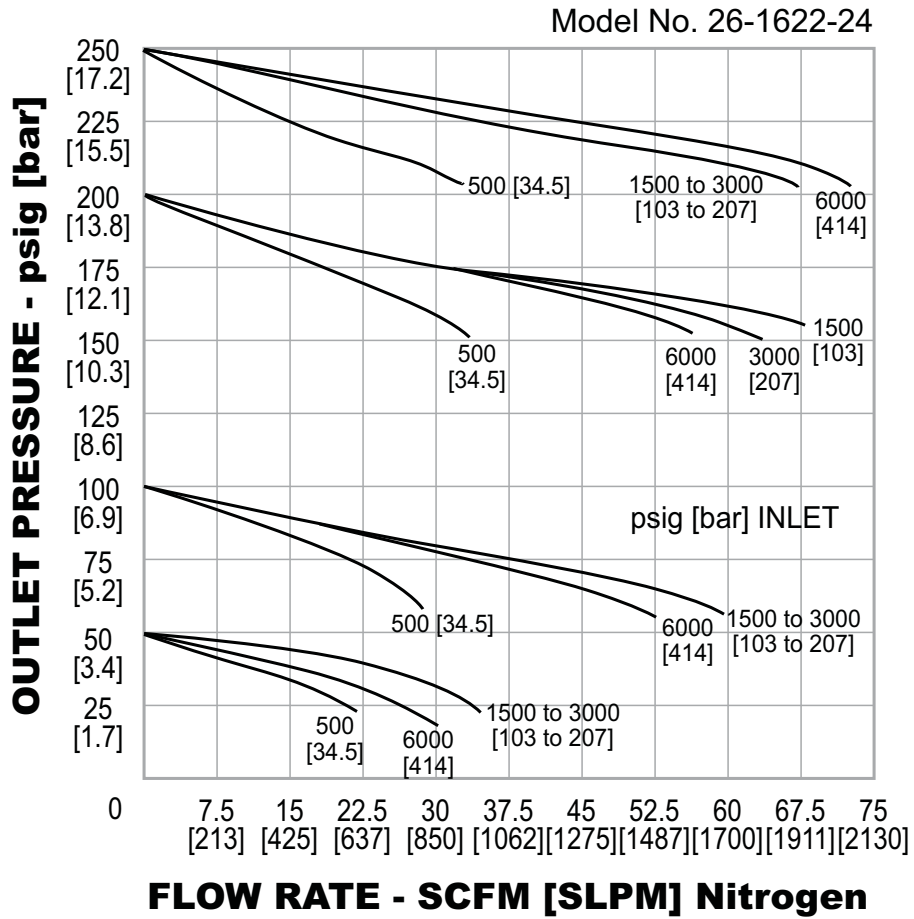
PANEL CUT-OUT



All dimensions are reference & nominal
Metric [millimeter] equivalents are in brackets

26-1600 Series Regulator Flow Chart

For more information on how to read flow curves, please refer to the Flow Curves and Calculations document (debul2007x012) in the TESCOM catalog or on www.tescom.com.



26-1600 Series Regulator Part Number Selector

Repair Kits, Accessories & Modifications may be available for this product. Please contact TESCOM for more information.

Example for selecting a part number:

26-16	6	2	2	4	
BASIC SERIES	BODY MATERIAL	MAXIMUM INLET PRESSURE	OUTLET PRESSURE RANGES	INLET AND OUTLET PORT TYPE	INLET AND OUTLET PORT SIZE
26-16	1 – Brass 3 – Aluminum (2024-T351) 6 – 316 Stainless Steel	5000 psig / 345 bar 5000 psig / 345 bar 6000 psig / 414 bar	0 – 0-50 psig 0-3.4 bar 1 – 0-150 psig 0-10.3 bar 2 – 0-250 psig 0-17.2 bar 3 – 0-500 psig 0-34.5 bar	1 – SAE 2 – NPTF 3 – MS33649	4 – 1/4" 6 – 3/8" 8 – 1/2" (Stainless Steel only)