

30 Series

On/Off and Shut-off Valves

D30XX0555X012

Specifications

For other materials or modifications, please consult TESCOM.

OPERATING PARAMETERS

Pressure rating per criteria of ANSI/ASME B31.3

Maximum Inlet Pressure

6000, 10,000 psig
414, 690 bar

Design Proof Pressure

150% maximum rated

Leakage

Bubble-tight

Ambient Operating and Fluid Temperature

-40°F to 165°F / -40°C to 74°C

Flow Capacity

See table on back page

Maximum Operating Torque

See table on back page

MEDIA CONTACT MATERIALS

Body

316 Stainless Steel

Seat

30-1100 and 30-1300: Nylatron

30-1200 and 30-1400: CTFE

O-Ring

Buna-N

Back-up Ring

30-1100: CTFE

30-1200: 15% graphite filled Teflon®

30-1300 and 30-1400: Teflon®

Remaining Parts

316 Stainless Steel, 17-4 Stainless Steel

OTHER

Cleaning

CGA 4.1 and ASTM G93

Weight

See table on back page

Teflon® is a registered trademark of E.I. du Pont de Nemours and Company.



30-1100



30-1300



30-1200



30-1400

TESCOM 30 Series shut-off valves are high pressure, high flow applications up to 10,000 psig / 690 bar and offer $C_v = 0.28-20.0$. The 30 Series offer globe and angle pattern bidirectional flow, soft seat and built-in metallic stop.

Applications

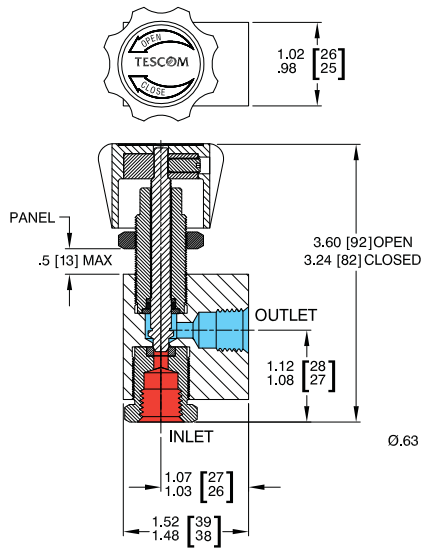
- GSE support pressure panels
- Instrumentation pressure panels and manifolds
- Research and Development labs
- Gas analysis sampling systems

Features and Benefits

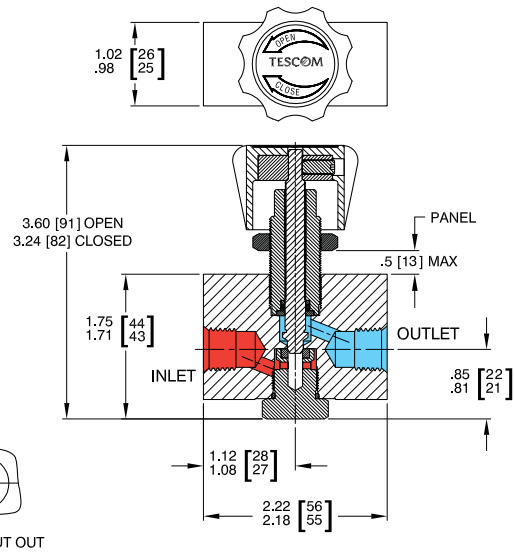
- 6000 and 10,000 psig / 414 and 690 bar capability
- $C_v = 0.28$ through 20.00
- Globe or angle configuration
- Port sizes available from 1/4" to 1-1/2"
- Low operating and shut-off torque at high pressures
- Bidirectional liquid or gas service
- Soft seat insures bubble-tight shutoff

30 Series Valves Drawing

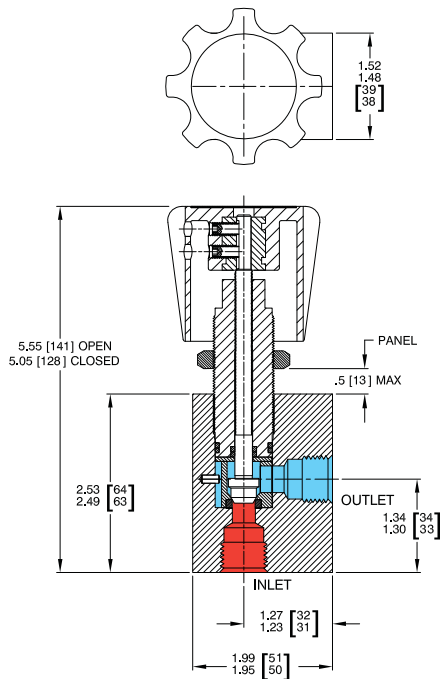
30-1100 ANGLE PATTERN



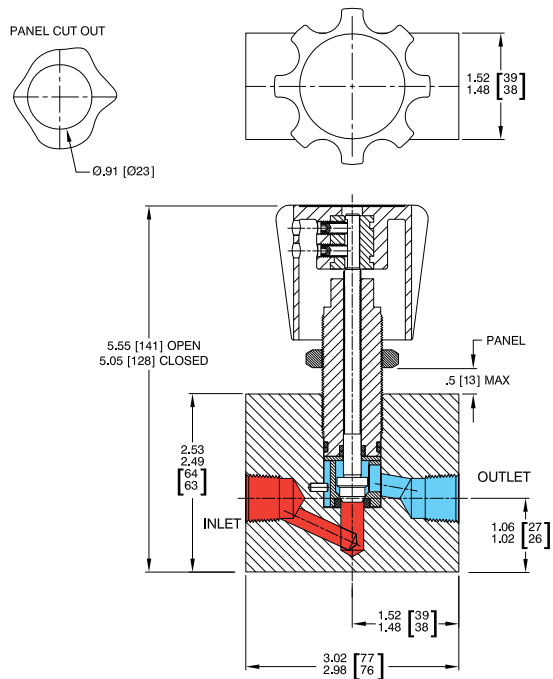
30-1101 GLOBE PATTERN



30-1300 ANGLE PATTERN



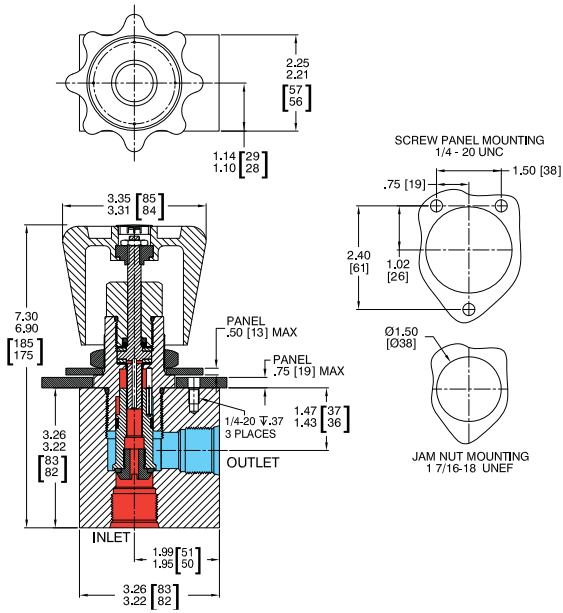
30-1301 GLOBE PATTERN



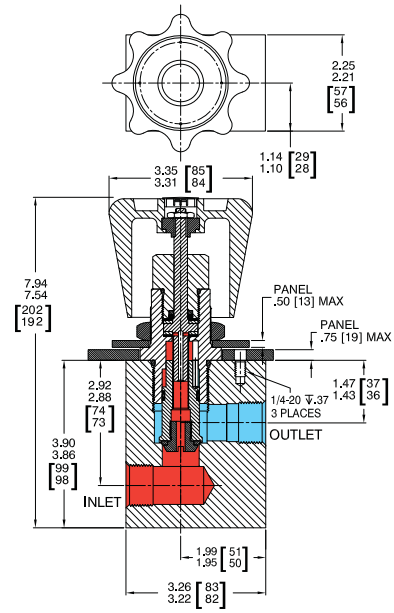
All dimensions are reference & nominal
Metric [millimeter] equivalents are in brackets

30 Series Valves Drawing

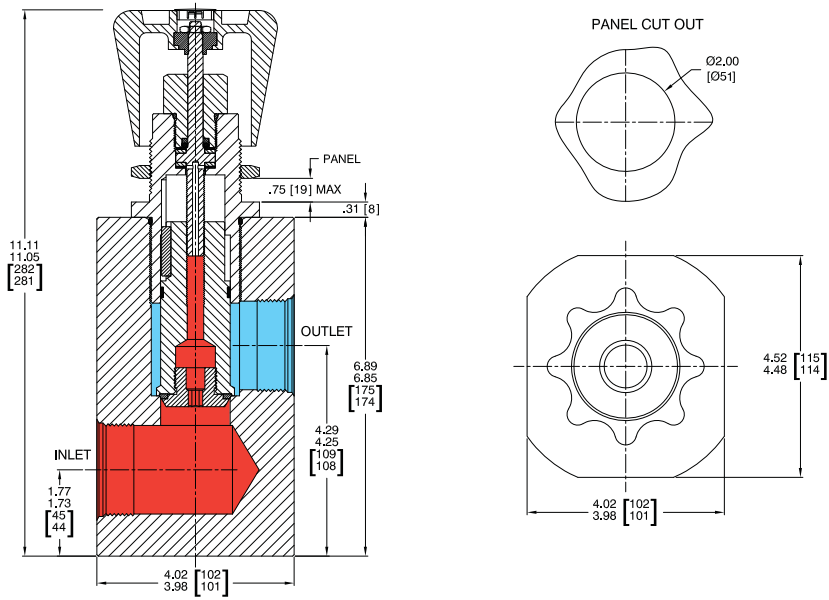
30-1200 ANGLE PATTERN



30-1201 GLOBE PATTERN



30-1400 GLOBE PATTERN



All dimensions are reference & nominal
Metric [millimeter] equivalents are in brackets

30 Series Valves Part Number Selector

Repair Kits, Accessories & Modifications may be available for this product. Please contact TESCOM for more information.

Example for selecting a part number:

30-11	0	1	-	2	04
BASIC SERIES	VALVE STEM TYPE	PATTERN TYPE		INLET AND OUTLET PORT TYPE	INLET AND OUTLET PORT SIZE
30-11 – 30-1100 10,000 psig 690 bar 30-12 – 30-1200 6000 psig 414 bar 30-13 – 30-1300 10,000 psig 690 bar 30-14 – 30-1400 6000 psig 414 bar	0 – Shut-off (Standard) 1 – Metering (optional on 30-1100 only)	0 – Angle ² 1 – Globe		0 – BSP ¹ 1 – SAE ² 2 – NPTF ² 3 – MS33649 6 – Medium Pressure ¹	04 – 1/4" (30-1100) 06 – 3/8" (30-1100 ³ , 30-1300) 08 – 1/2" (30-1300) 12 – 3/4" (30-1200) 16 – 1" (30-1200) 24 – 1-1/2" (30-1400)
<div style="border: 1px solid black; padding: 5px; display: inline-block;"> 1. Available on 30-1100 only 2. Not available on 30-1400 3. Available in Globe Pattern only </div>					

SERIES	PATTERN	C _v	WEIGHT	CONTROL TORQUE
30-11X1-XXX 30-11X0-XXX	Globe Angle	0.28 0.49	1 lb / 0.5 kg 3/4 lbs / 0.3 kg	15 in-lbs / 1.7 N•m 15 in-lbs / 1.7 N•m
30-1301-XXX 30-1300-XXX	Globe Angle	1.57 2.30	3-1/4 lbs / 2 kg 2-1/4 lbs / 1 kg	25 in-lbs / 2.8 N•m 25 in-lbs / 2.8 N•m
30-1201-XXX 30-1200-XXX	Globe Angle	8.00 10.00	8 lbs / 4 kg 7-1/4 lbs / 3 kg	35 in-lbs / 4.0 N•m 35 in-lbs / 4.0 N•m
30-1400-XXX	Globe	20.00	30 lbs / 14 kg	35 in-lbs / 4.0 N•m