

## Specifications

For other materials or modifications, please consult TESCOM.

### OPERATING PARAMETERS

Pressure rating per criteria of ANSI/ASME B31.3

#### Maximum Inlet Pressure

3000 psig / 207 bar

#### Outlet Pressure Ranges

0-25, 0-50, 0-100, 0-150 psig

0-1.7, 0-3.4, 0-6.9, 0-10.3 bar

#### Design Proof Pressure

150% maximum rated

#### Leakage

**Internal:** Bubble-tight

**External:** Design to meet  $\leq 2 \times 10^{-8}$  atm cc/sec He

#### Operating Temperature

-40°F to 140°F / -40°C to 60°C

#### Flow Capacity

$C_v = 0.16$



TESCOM 44-2800 Series **tied diaphragm** design provides additional shut-off assistance for toxic or corrosive gases. Positional captured bonnet provides secondary containment for added safety. Available in Hastelloy® or Monel materials.

### MEDIA CONTACT MATERIALS

#### Body

316 Stainless Steel

#### Diaphragm

316 Stainless Steel

#### Friction Sleeve (outer)

316 Stainless Steel

#### Friction Sleeve (inner)

Teflon®

#### Spring

Elgiloy®

#### Seat

CTFE

#### Remaining Parts

316 Stainless Steel

### Application

- Instrumentation/analyzer equipment

### Features and Benefits

- Repeatability:  $\pm 0.50\%$  of maximum rated outlet pressure
- Convoluted diaphragm provides maximum sensitivity and minimum droop
- Metal-to-metal diaphragm to body seal
- Positionable captured vent bonnet and adjustable stop to limit outlet pressures
- Hastelloy® C or Monel trim options are available (-135 modification)

### OTHER

#### Cleaning

CGA 4.1 and ASTM G93

#### Connections

1/4" NPTF inlet and outlet  
inlet and outlet ports at 60°

#### Weight (without gauges)

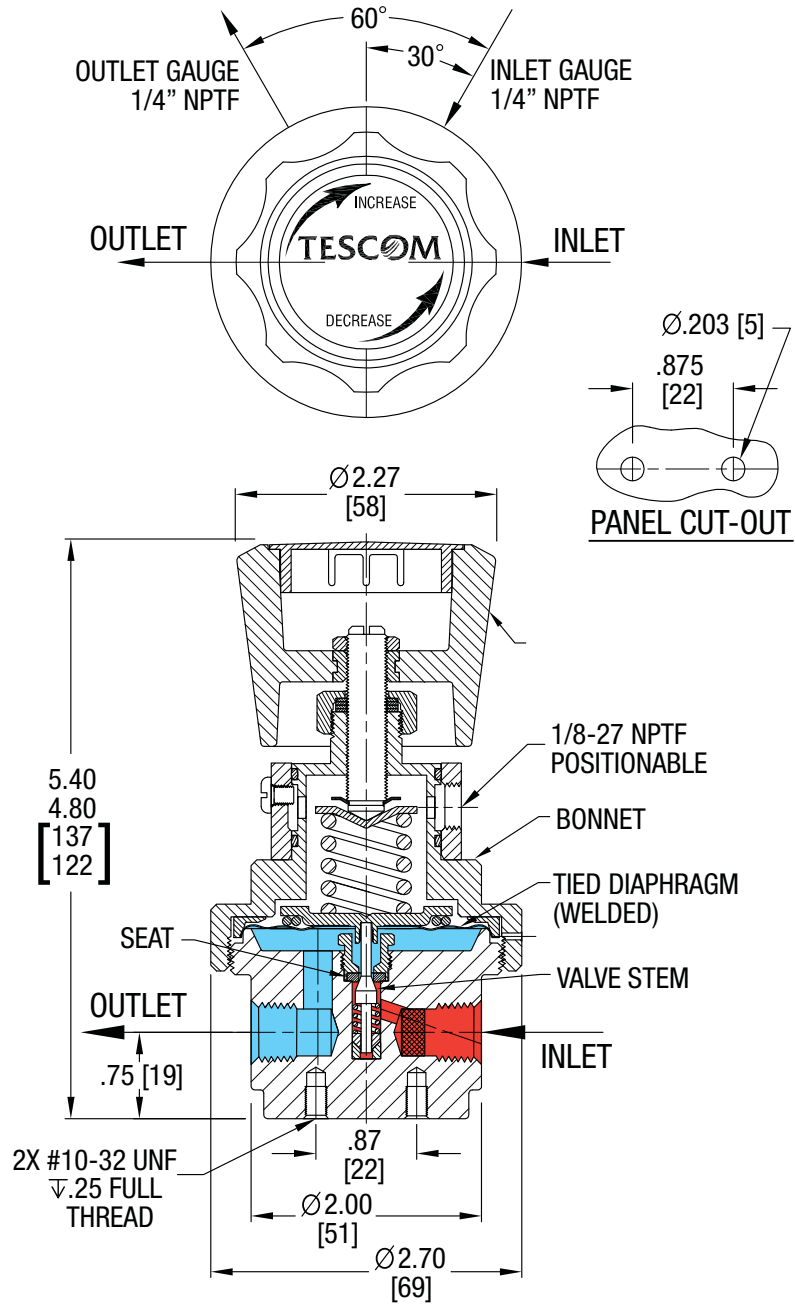
3 lbs / 1.4 kg

Elgiloy® is a registered trademark of Elgiloy Corp.

Hastelloy® is a registered trademark of Haynes International, Inc.

Teflon® is a registered trademark of E.I. du Pont de Nemours and Company

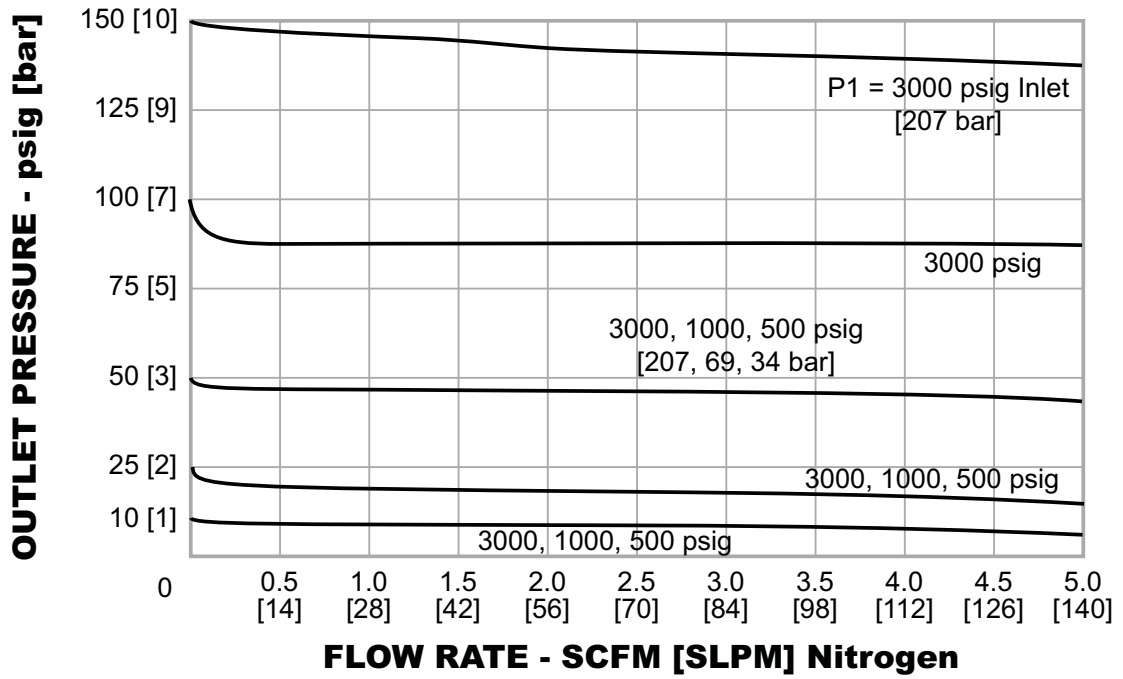
44-2800 Series Regulator Drawing



All dimensions are reference & nominal  
Metric [millimeter] equivalents are in brackets

### 44-2800 Series Regulator Flow Chart

For more information on how to read flow curves, please refer to the Flow Curves and Calculations document (debul2007x012) in the TESCOM catalog or on [www.tescom.com](http://www.tescom.com).



## 44-2800 Series Regulator Part Number Selector

*Repair Kits, Accessories & Modifications may be available for this product. Please contact TESCOM for more information.*

Example for selecting a part number:

44-28	6	1	-	2	4	1
BASIC SERIES	BODY MATERIAL	OUTLET PRESSURE RANGES		INLET AND OUTLET PORT TYPE	INLET AND OUTLET PORT SIZE	MAXIMUM INLET PRESSURE
44-28	6 - 316 Stainless Steel	0 – 0-25 psig 1.7 bar 1 – 0-50 psig 3.4 bar 2 – 0-100 psig 6.9 bar 3 – 0-150 psig 10.3 bar		2 – NPTF	4 – 1/4"	0 – 3000 psig 207 bar