

# 44-3400 Series

## Regulators - Pressure Reducing

D44341802X012

### Specifications

For other materials or modifications, please consult TESCOM.

#### OPERATING PARAMETERS

Pressure rating per criteria of ANSI/ASME B31.3

##### Maximum Inlet Pressure

3500 psig / 241 bar

##### Outlet Pressure Ranges

0-25, 0-50, 0-100, 0-150, 0-250 psig  
0-1.7, 0-3.4, 0-6.9, 0-10.3, 0-17.2 bar

##### Design Outlet Proof Pressure

150% of maximum rated pressure

##### Operating Temperature

-40°F to 165°F / -40°C to 74°C

##### Flow Capacity

$C_v = 0.05$

##### Leakage

**Internal:** Bubble-tight

**External:** Design to meet  $\leq 2 \times 10^{-8}$  atm cc/sec He

##### Maximum Operating Torque

10 in-lbs / 1.0 N•m

##### Decaying Inlet Characteristic

**0.04 change:** 100 psig / 6.9 bar inlet

#### MEDIA CONTACT MATERIALS

##### Body

316 Stainless Steel, Brass or Monel

##### Bonnets

300 Series Stainless Steel or Brass

##### Diaphragms

316 Stainless Steel or Elgiloy®

##### Seats

Teflon®

##### Friction Sleeve (inner)

Teflon®

##### Remaining Parts

316 Stainless Steel and Brass (for Brass models)

#### OTHER

##### Connections

1/4" NPTF inlet, outlet and gauge port

##### Cleaning

CGA 4.1 and ASTM G93

##### Weight (without gauges)

3 lbs / 1.4 kg

Elgiloy® is a registered trademark of Elgiloy Corp.

Teflon® is a registered trademark of E.I. du Pont de Nemours and Company.



TESCOM 44-3400 Series is a compact, lightweight high purity two-stage cylinder regulator for specialty, corrosive and pyrophoric gases less than 5 SCFM / 141 SLPM. Diffusion-resistant metal-to-metal diaphragm seal ensures gas purity and integrity.

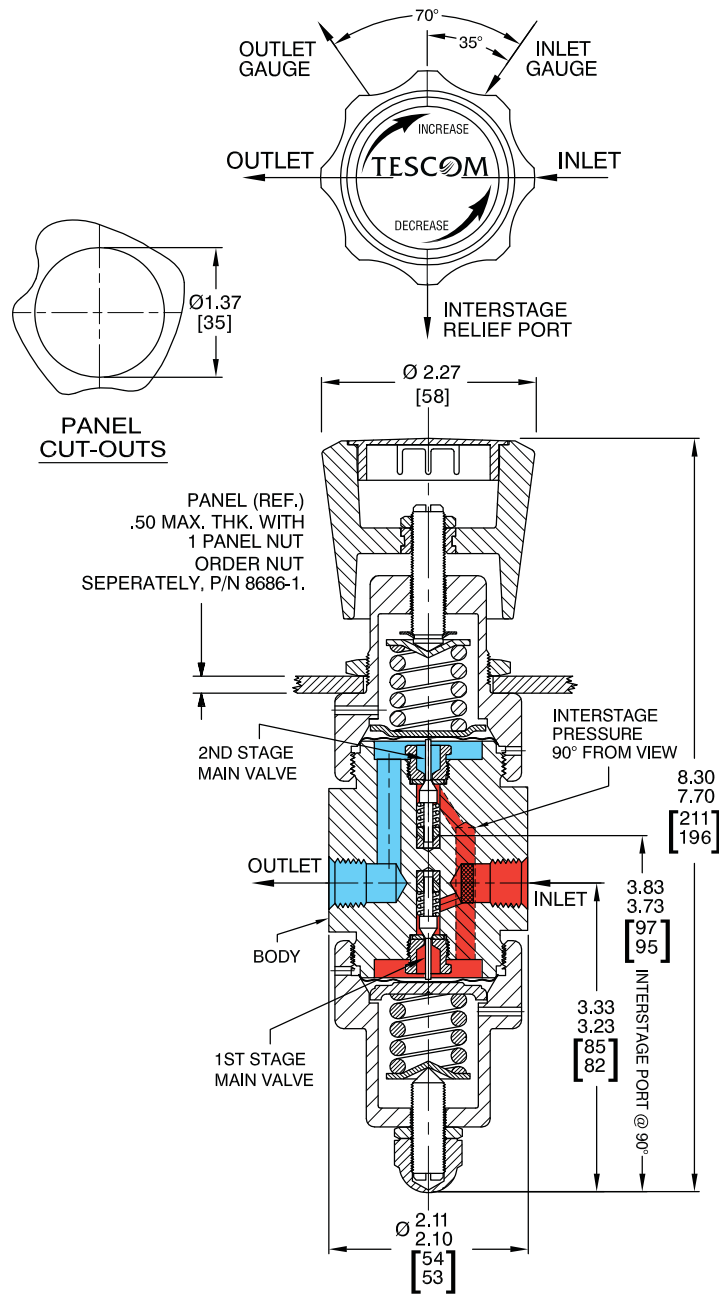
### Application

- High pressure gas cylinders for specialty and industrial gases used with analyzers, lasers, and laboratory applications

### Features and Benefits

- Provides a continuous, accurate outlet pressure regardless of inlet pressure fluctuations
- Offers a decaying inlet characteristic of 0.04 psig / 3 mbar per 100 psig / 6.9 bar change in inlet pressure
- Features a unique metal-to-metal diaphragm to body seal
- Diaphragms are convoluted for greater accuracy and sensitivity
- Available in 316 Stainless Steel, Brass or Monel
- NACE compliant designs are available

44-3400 Series Regulator Drawing



All dimensions are reference & nominal  
Metric [millimeter] equivalents are in brackets

### 44-3400 Series Regulator Flow Chart

For more information on how to read flow curves, please refer to the Flow Curves and Calculations document (debul2007x012) in the TESCOM catalog or on [www.tescom.com](http://www.tescom.com).

