

# 54-2200 Series

## Regulators - Pressure Reducing

D54221601X012

### Specifications

For other materials or modifications, please consult TESCOM.

#### OPERATING PARAMETERS

Pressure rating per criteria of ANSI/ASME B31.3

##### Maximum Inlet Pressure

8000 psig / 552 bar

##### Outlet Pressure Ranges<sup>1</sup>

1500, 3000, 5000, 6000, 8000 psig  
103, 207, 345, 414, 552 bar

##### Design Proof Pressure

150% maximum rated

##### Leakage (maximum)

2 drops/min at 150 S.U.S at 2500 psig / 172 bar

##### Ambient Operating Fluid Media Temperature<sup>2</sup>

-40°F to 200°F / -40°C to 93°C

##### Flow Capacity

**Main Valve:**  $C_v = 2.0$

**Vent Valve:**  $C_v = 1.6$

#### MEDIA CONTACT MATERIALS

##### Body

303 or 316 Stainless Steel

##### Seat, Main Valve and Sensor

17-4 PH Stainless Steel

##### O-Rings

Buna-N, Viton-A®, Kalrez®, Ethylene Propylene

##### Back-up Rings

Teflon®

##### Bonnet

303 Stainless Steel

##### Remaining Parts

303 Stainless Steel

#### OTHER

##### Cleaning

CGA 4.1 and ASTM G93

##### Weight (approximately)

15 lbs / 6.8 kg

Teflon®, Viton® and Kalrez® are registered trademarks of E.I. du Pont de Nemours and Company.

1. Regulator VENTS to 0 psig in all pressure ranges.

2. Varies with sealing material selected, please consult Tescom.



TESCOM 54-2200 Series pressure reducing regulator is designed for high flow and high pressure hydraulic applications. Inlet and outlet pressure is rated up to 8000 psig / 552 bar with  $C_v = 2.0$  for flows up to 60 GPM / 127 LPM. Spring, air and dome loaded versions are available. Hardened Stainless Steel seat and poppet delivers excellent wear resistance.

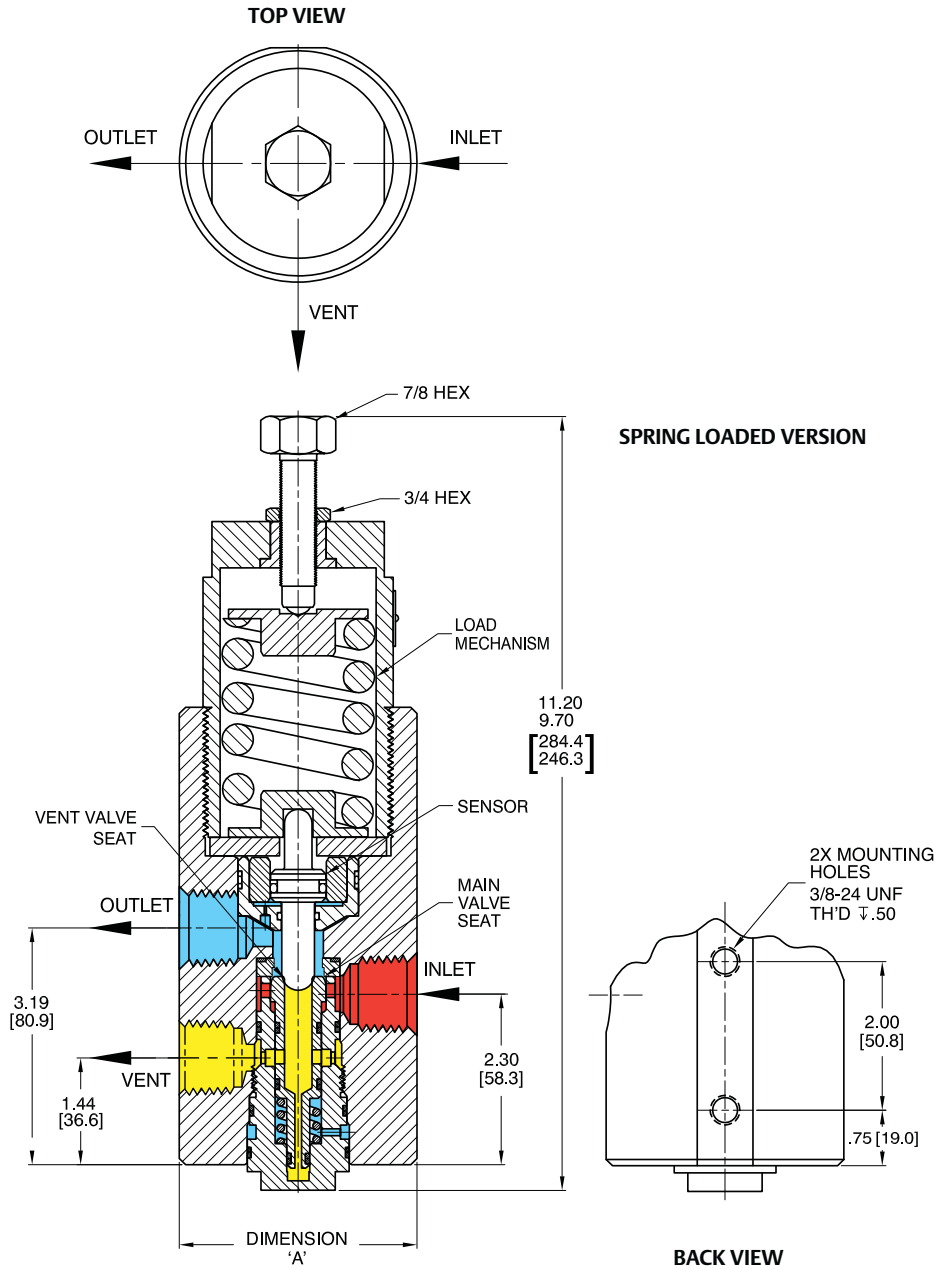
### Applications

- Hydraulically operated blowout preventers (BOP)
- Hydraulic power units (HPUs)
- Hydraulic component testing

### Features and Benefits

- Rugged design for tough conditions
- Pressure dampening orifice improves stability
- Features piston-style sensor, balanced main valve poppet and a non-adjustable manual vent system
- Hardened 17-4 Stainless Steel seats help provide long service in abrasive hydraulic applications
- Side mounting is standard
- Available in spring, hydraulic/dome and air loaded versions
- Compatible with TESCOM ER3000 Electropneumatic Controllers

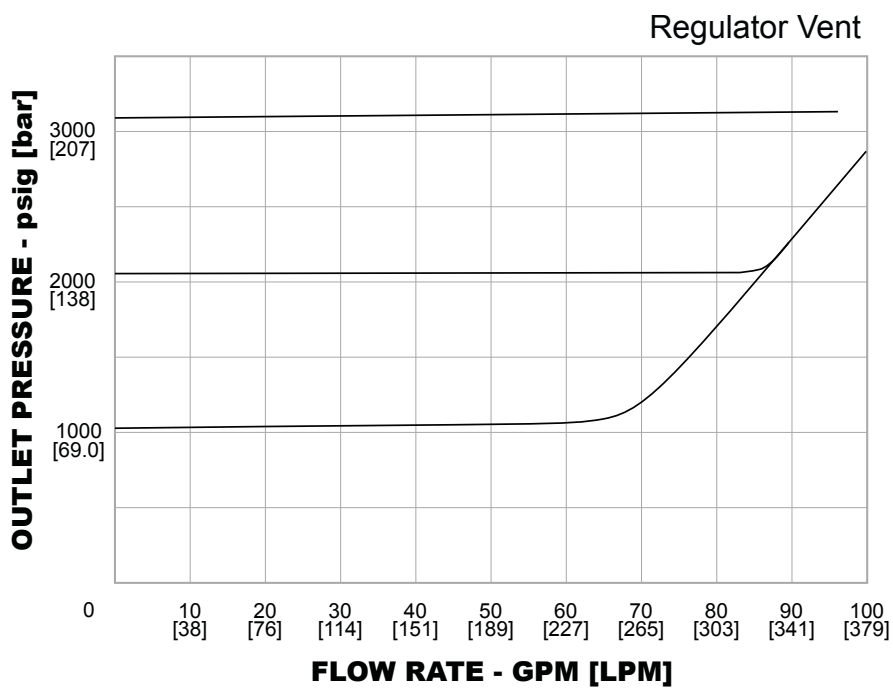
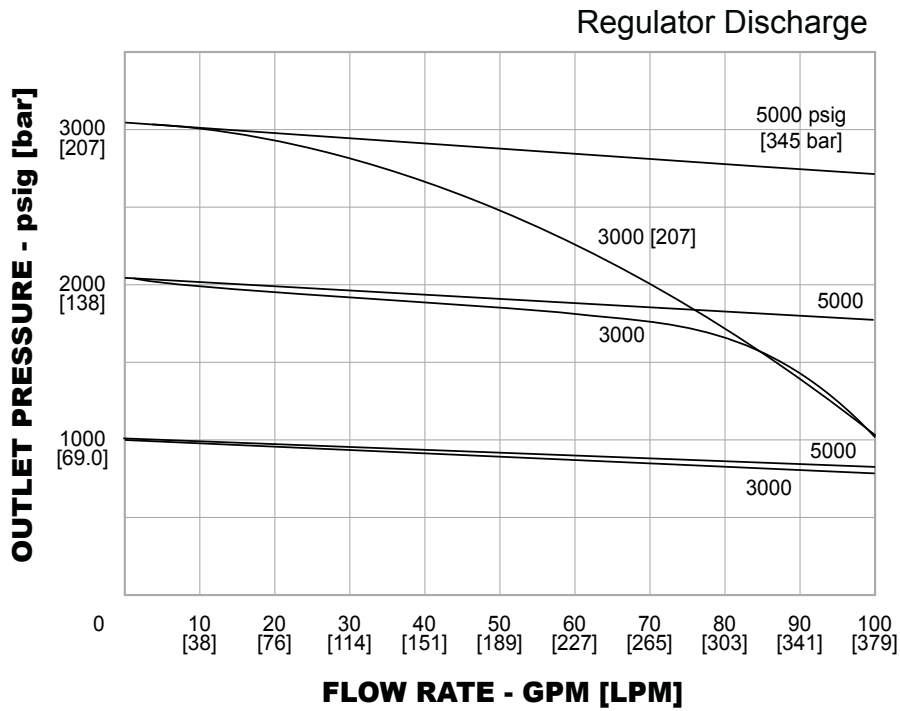
54-2200 Series Regulator Drawing



All dimensions are reference & nominal  
Metric [millimeter] equivalents are in brackets

## 54-2200 Series Regulator Flow Charts

For more information on how to read flow curves, please refer to the Flow Curves and Calculations document (debul2007x012) in the TESCOM catalog or on [www.tescom.com](http://www.tescom.com).



## 54-2200 Series Regulator Part Number Selector

Repair Kits, Accessories & Modifications may be available for this product. Please contact TESCOM for more information.

Example for selecting a part number:

BASIC SERIES	BODY MATERIAL	OUTLET PRESSURE RANGES	SOFT GOODS MATERIAL			PORT TYPE	DIMENSION "A"	PORT SIZE	LOADING OPTIONS
			O-RING		SEAT				
			DYNAMIC	STATIC					
54-22	2 – 303 Stainless Steel 6 – 316 Stainless Steel	1 – 1500 psig 103 bar <i>(spring only)</i> 3 – 3000 psig 207 bar <i>(hydraulic/dome and 35:1 air)</i> 3 – 3500 psig 241 bar <i>(spring only)</i> 5 – 5000 psig 345 bar <i>(spring and 65:1 air)</i> 6 – 6000 psig 414 bar <i>(spring only)</i> 8 – 8000 psig 552 bar <i>(hydraulic/dome and 105:1 air)</i>	D – Buna-N T – Viton-A® V – Kalrez® Z – Ethylene Propylene	Buna-N Viton-A® Kalrez® Ethylene Propylene	17-4 Stainless Steel 17-4 Stainless Steel 17-4 Stainless Steel	1 – SAE 2 – NPTF 3 – MS33649	3.95" 3.20" 3.95"	12 – 3/4"	S – Spring H – Hydraulic/ Dome A – Air