

70-2000 Series

Electropneumatic Controllers/Motors

D70200579X012

Specifications

For other materials or modifications, please consult TESCOM.

OPERATING PARAMETERS

Application

Any application requiring remotely controlled, electronically operated:

Pressure Reducing Regulators

26-1000, 26-1600, 26-2000, 54-2000 Series

Backpressure Regulators

26-1700, 26-2300, 54-2100 Series

Electrical

10-24 VDC nominal

1.0 AMP operational current

6.0 AMP surge current

2.0 AMP time delay actuator control fuse

1.5 AMP fast acting motor protection fuse

Mechanical

Actuator connector (3 pins): MS3102A-10SL-3P

Note: Mating electrical plug connector and cable clamp is included with the actuator. The electrical cable is not included.

Continuous Motor Torque: 51 in-lbs / 5.8 N•m

Intermittent Motor Torque (approximate): 100 in-lbs / 11 N•m

GEAR SPEED	NO LOAD	VOLTS	10	15	20	24
		RPM	11.5	18	24	30
31 IN-LBS LOAD	VOLTS	10	15	20	24	
		RPM	6	11	19	24

Actuation time for complete range of regulator outlet pressure (at 24 VDC):

26-1000 Series (11-1/2 full turns): 25 seconds

26-1600 Series (5-1/2 full turns): 15 seconds

Note: The motorized regulator provides a linear discharge pressure curve.

OTHER

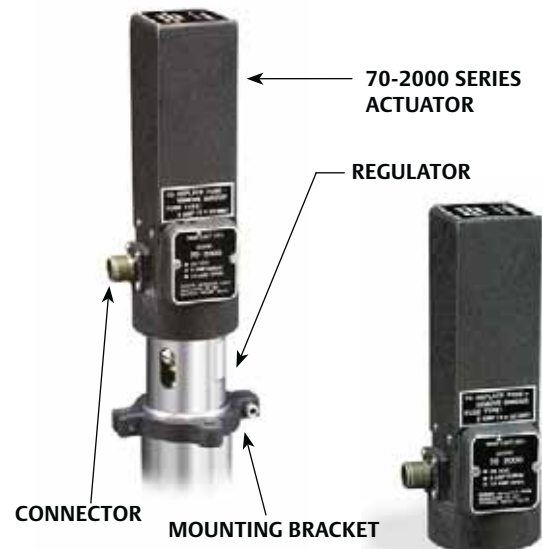
Weight (with regulator mounted)

26-1000 Series (Brass and Stainless Steel): 8 lbs / 3.6 kg

26-1000 Series (Aluminum): 6 lbs / 2.7 kg

26-1600 Series (Stainless Steel): 6 lbs / 2.7 kg

26-1600 Series (Aluminum): 5 lbs / 2.3 kg



TESCOM 70-2000 Series motorized actuator is designed for any application requiring remotely controlled, electronically operated, pressure reducing / backpressure regulators.

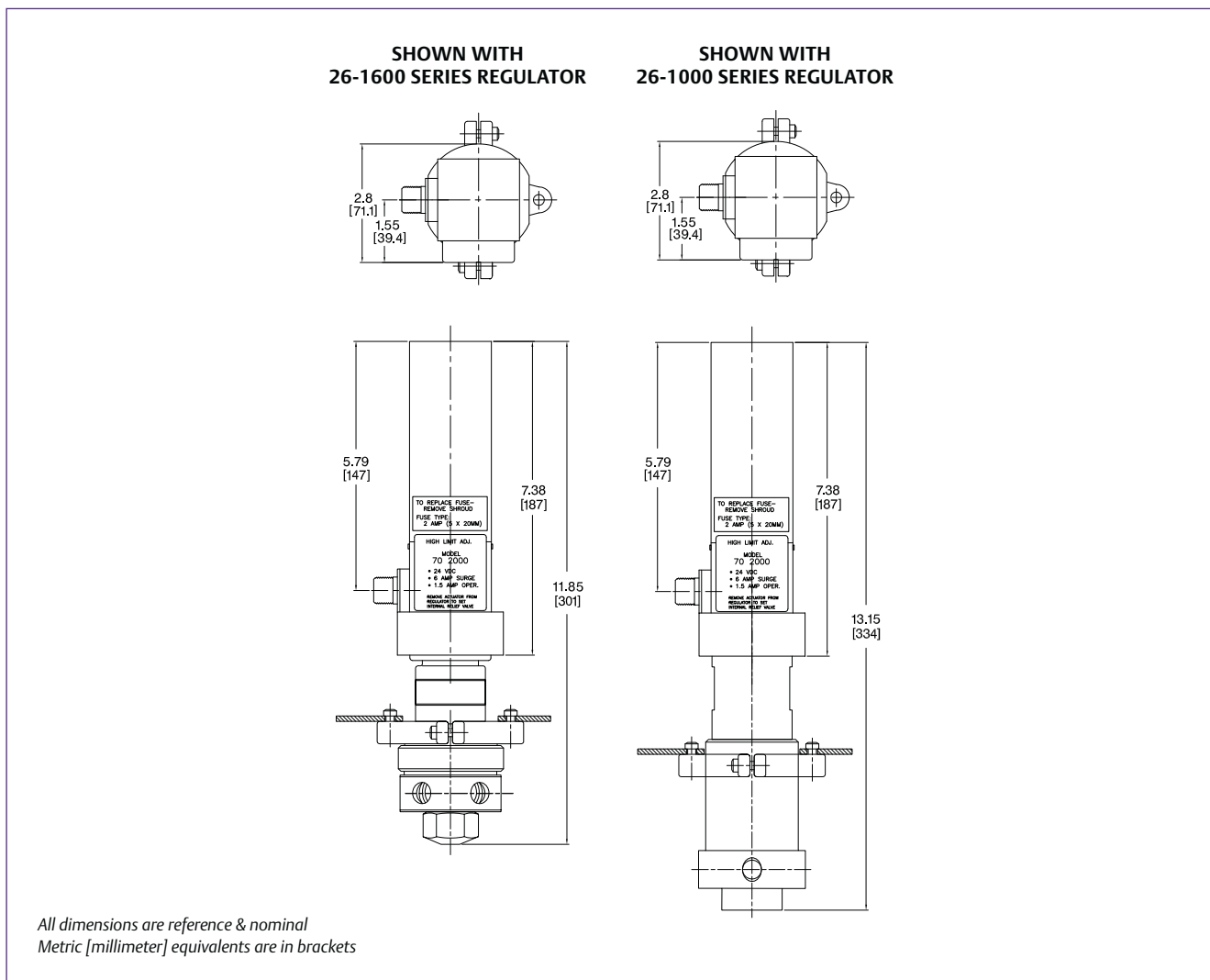
Applications

- Test Equipment
- Remote Actuation
- Oil Patch Control

Features and Benefits

- Adjusts regulator to any setpoint by remote control, eliminating the need for an operator in the pressure area
- Compatible with several TESCOM pressure reducing and backpressure regulators in many applications
- Limit switches provide operating range and prevent overtravel
- Variable speed control
- Replaceable fuse protection
- Easily mounted on regulator
- Hazloc enclosure is available

70-2000 Series Actuator Drawings



70-2000 Series Actuator Requirements

70-2000 ADAPTABLE TO	REQUIREMENTS
26-1000, 26-1700, 26-2000, 54-2000, 54-2100 Series regulators	Removal of handknob
26-1600, 26-2300 Series regulators	Removal of handknob, addition of the bonnet adapter and 3 set screws (see table below)

70-2000 Series Actuator Part Numbers

QUANTITY	PART NUMBER	DESCRIPTION
1	70-2000	Actuator complete with limit switches
1	3883-3	Bonnet adapter (26-1600, 26-2300 (500 psig / 34.5 bar) Series)
3	3647	Set Screw (26-1600, 26-2300 (500 psig / 34.5 bar) Series)

Note: Actuators may be ordered with or without a regulator.