

BB-3 Series

Regulators - Relief / Backpressure

DBB031790X012

Specifications

For other materials or modifications, please consult TESCOM.

OPERATING PARAMETERS

Pressure rating per criteria of ANSI/ASME B31.3

Inlet Pressure Ranges

See Part Number Selector

Design Proof Pressure

150% of maximum pressure

Operating Temperature¹

-15°F to 140°F / -26°C to 60°C

Flow Capacity

C_v = 0.2

Internal Leakage

Bubble-tight

MEDIA CONTACT MATERIALS

Body

Nickel-plated Aluminum or 316 Stainless Steel

Seat

Tefzel®, CTFE, PTFE or Vespel®

O-Rings

Ethylene Propylene, Buna-N, Viton® or Kalrez®

Remaining Parts

300 Series Stainless Steel or Aluminum

OTHER

Cleaning

CGA 4.1 and ASTM G93

Connections

1/4" NPTF or SAE inlet and outlet ports

Weight

Aluminum: 0.5 lbs / 0.2 kg

Stainless Steel: 1 lbs / 0.5 kg

1. For extended temperatures from -40°F to 204°F / -40°C to 96°C, consult TESCOM.

Viton®, Vespel®, Kalrez® and Tefzel® are registered trademarks of E.I. du Pont de Nemours and Company.



TESCOM BB-3 is a high pressure, low flow, miniature backpressure regulator. Six control pressure ranges are available up to 1200 psig / 83 bar outlet. This regulator can be used for hydraulic or pneumatic service and is small and compact, weighing approximately 4 oz / 0.11 kg in the standard Aluminum construction (316 Stainless Steel also available).

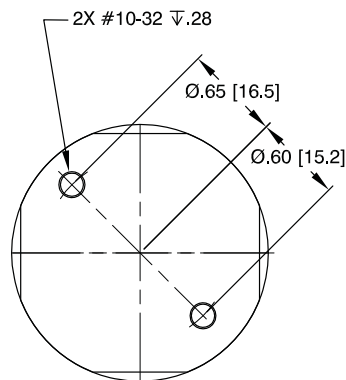
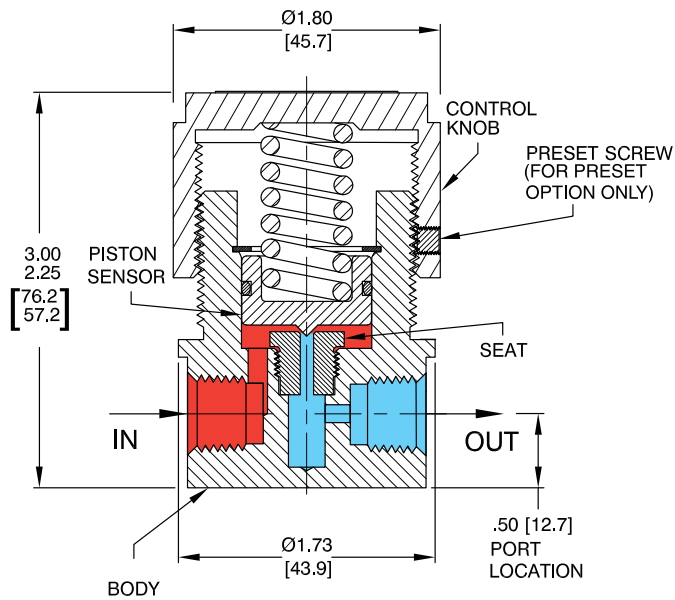
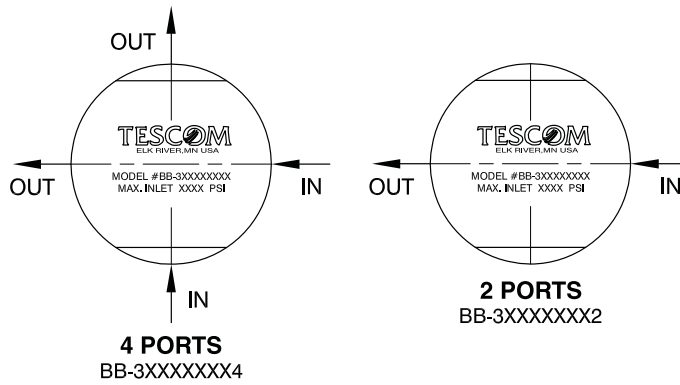
Applications

- Portable equipment
- OEM equipment

Features and Benefits

- Economical and extremely compact
- Durable piston sensor design
- High flow capacity
- High temperature version (up to 204°F / 96°C)
- Close pressure differential between crack and reseal
- Bubble-tight shutoff at all reseating pressures
- Six control pressure ranges

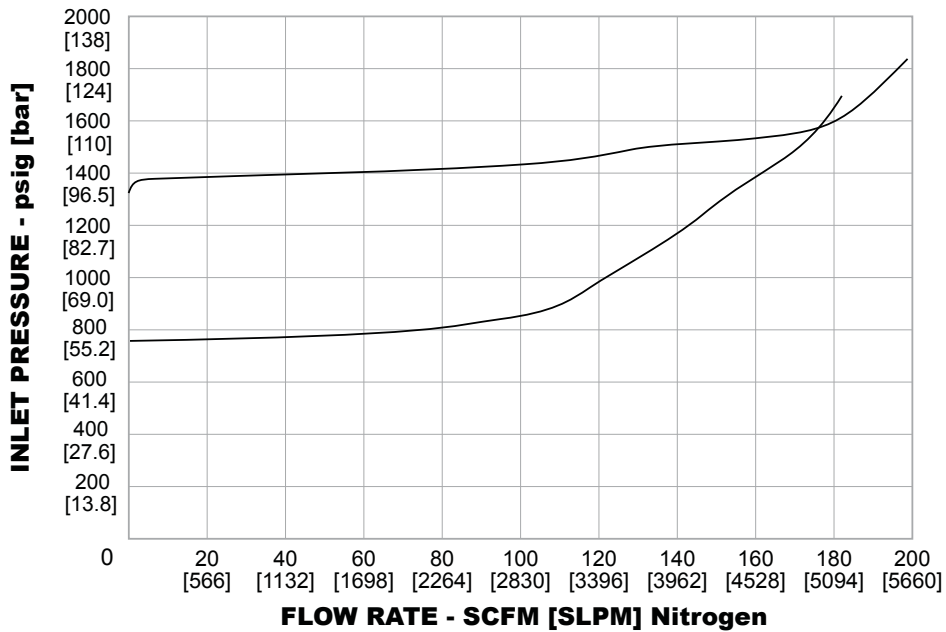
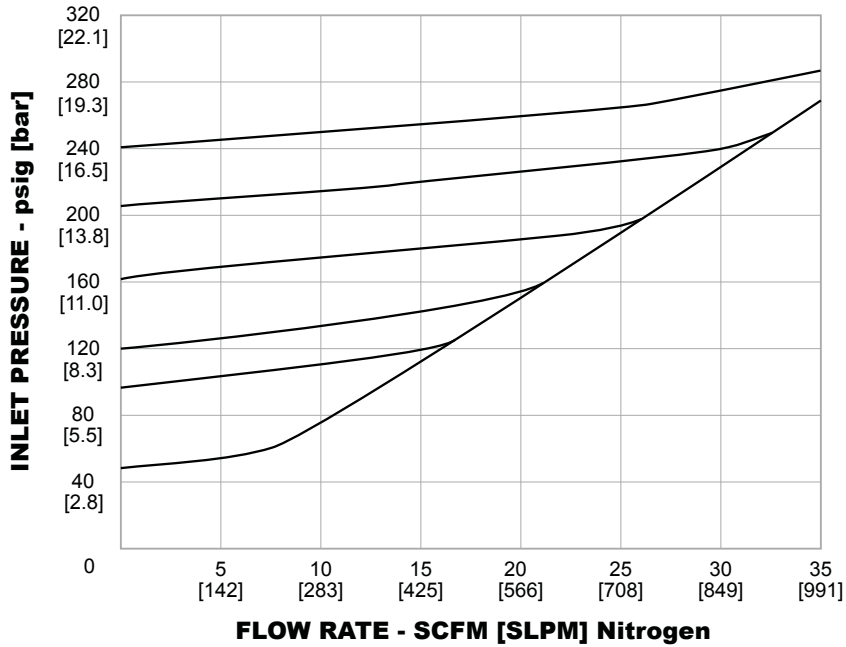
BB-3 Series Regulator Drawing



All dimensions are reference & nominal
Metric [millimeter] equivalents are in brackets

BB-3 Series Regulator Flow Charts

For more information on how to read flow curves, please refer to the Flow Curves and Calculations document (debul2007x012) in the TESCOM catalog or on www.tescom.com.



BB-3 Series Regulator Part Number Selector

Repair Kits, Accessories & Modifications may be available for this product. Please contact TESCOM for more information.

Example for selecting a part number:

BASIC SERIES	FUNCTION	BODY MATERIAL	LOAD TYPE	INLET PRESSURE RANGES		SEAT MATERIAL	O-RING SEAL	PORTING	NUMBER OF PORTS
				ADJUSTABLE	PRESET				
BB	3 – Backpressure	3 – Nickel-plated Aluminum (Spring Load only) 6 – 316 Stainless Steel	A – Adjustable P – Preset D – Dome Load (250 psig / 17.2 bar* maximum reference pressure)	L1 – 0-80 psig 0-5.5 bar L2 – 0-140 psig 0-9.7 bar L3 – 0-220 psig 0-15.2 bar H1 – 0-700 psig 0-48.3 bar H2 – 0-1200 psig 0-82.7 bar D1 – 0-250 psig 0-17.2 bar*	0-80 psig 0-5.5 bar 80-140 psig 5.5-9.7 bar 140-220 psig 9.7-15.2 bar 220-700 psig 15.2-48.3 bar 700-1200 psig 48.3-82.7 bar Dome Load Only	A – Tefzel® K – CTFE V – Vespel® T – PTFE (250 psig / 17.2 bar maximum inlet pressure)	E – Ethylene Propylene N – Buna-N S – Special V – Viton® K – Kalrez®	A4 – 1/4" NPTF 4 B4 – 1/4" SAE 4 B2 – 1/4" SAE 2 A2 – 1/4" NPTF 2	
		*3000 psig / 207 bar available, please consult factory.							