

FR-2000 Series

Regulators - Pressure Reducing

DFR201759X012

Specifications

For other materials or modifications, please consult TESCOM.

OPERATING PARAMETERS

Pressure rating per criteria of ANSI/ASME B31.3

Maximum Inlet Pressure

500 psig / 34.5 bar

Outlet Pressure Ranges

0-15, 0-30, 0-75, 0-150 psig / 0-1.0, 0-2.1, 0-5.2, 0-10.3 bar

Design Proof Pressure

150% maximum rated

Leakage

Internal: Bubble-tight

External: $< 2 \times 10^{-8}$ atm cc/sec He

Operating Temperature

-40°F to 165°F / -40°C to 74°C

Flow Capacity

$C_v = 1.8$



MEDIA CONTACT MATERIALS

Body

316 Stainless Steel

Seat

FEP Teflon®

Retainer Seat

Nitronic 60

O-Ring

Teflon®

Diaphragm

316 Stainless Steel

Spring

316 Stainless Steel

Remaining Parts

316 Stainless Steel

OTHER

Cleaning

CGA 4.1 and ASTM G93

Weight (without gauges)

6.0 lbs / 2.7 kg

Teflon® is a registered trademark of E.I. du Pont de Nemours and Company.

TESCOM FR-2000 Series regulator is extremely accurate and designed for high flow at low outlet pressure. Diffusion-resistant metal diaphragm seal ensures gas purity and leak integrity.

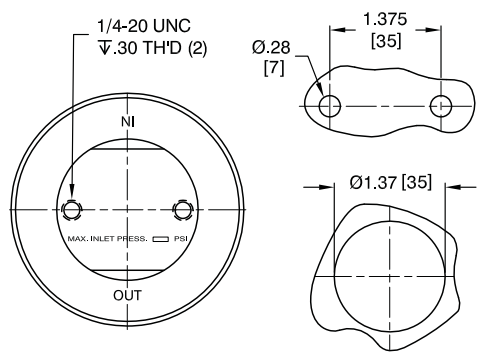
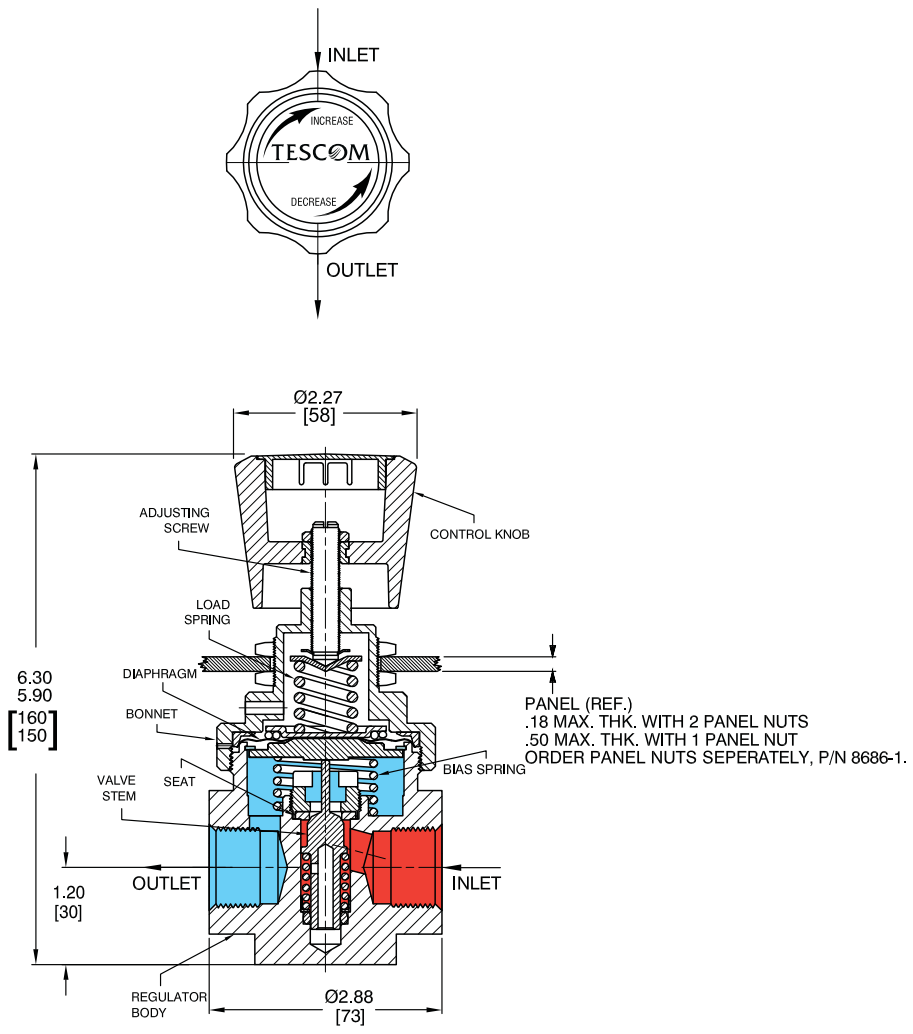
Application

- Low pressure purge

Features and Benefits

- Accurate and designed to provide high flow at low control pressure
- High-flow, $C_v = 1.8$
- Metal-to-metal sealed diaphragm
- Dome loaded version is available
- Gauge ports are available

FR-2000 Series Regulator Drawing

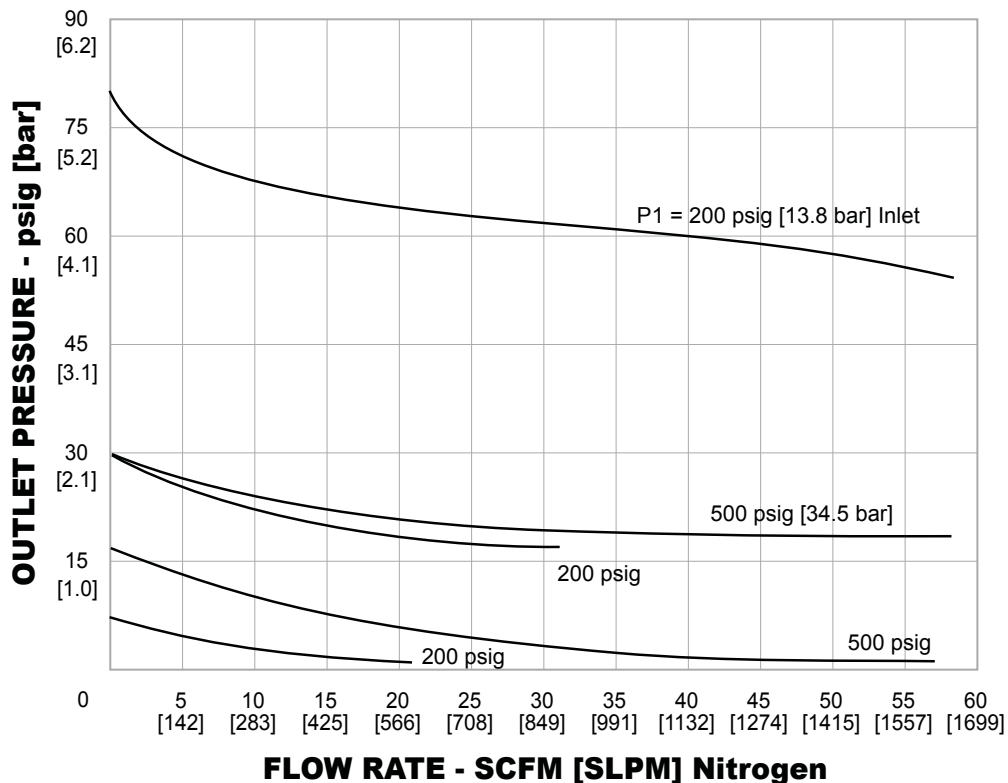


PANEL CUT-OUTS

All dimensions are reference & nominal
 Metric [millimeter] equivalents are in brackets

FR-2000 Series Regulator Flow Chart

For more information on how to read flow curves, please refer to the Flow Curves and Calculations document (debul2007x012) in the TESCOM catalog or on www.tescom.com.



FR-2000 Series Regulator Part Number Selector

Repair Kits, Accessories & Modifications may be available for this product. Please contact TESCOM for more information.

Example for selecting a part number:

| BASIC SERIES | BODY MATERIAL | OUTLET PRESSURE RANGES | INLET AND OUTLET PORT TYPE | INLET AND OUTLET PORT SIZE | MAXIMUM INLET PRESSURE | OPTIONS |
|--------------|-------------------------|--|----------------------------|----------------------------|-------------------------|--|
| FR-20 | 6 – 316 Stainless Steel | 0 – 0-15 psig / 0-1.0 bar 1 – 0-30 psig / 0-2.1 bar 2 – 0-75 psig / 0-5.2 bar 3 – 0-150 psig / 0-10.3 bar | 2 – NPTF | 08 – 1/2" 12 – 3/4" | 2 – 500 psig / 34.5 bar | -017 – Piston style dome load -019 – 1/4" gauge port at 90° |