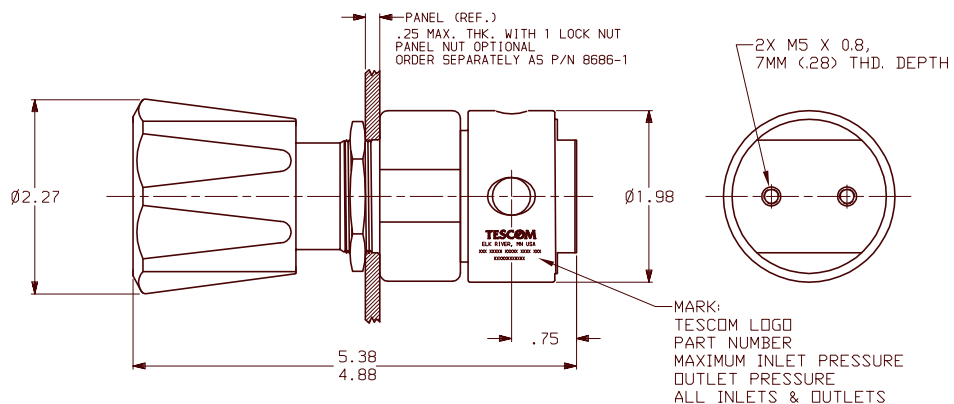
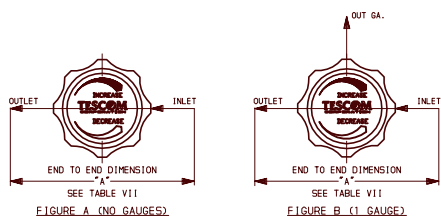


ALL DIMENSIONS REFERENCE

22-22XXXXXX



22-2200 SERIES REGULATOR

SPRING LOADED, HAND OPERATED, PRESSURE REDUCING REGULATOR WITH METAL TO METAL SEALED DIAPHRAGM. 25 Ro MICROINCH FINISH ON INTERNAL SURFACES OF BODY.

GENERAL SPECIFICATIONS:

INLET PRESSURE: SEE TABLE V
 OUTLET PRESSURE: SEE TABLE II
 DESIGN PROOF PRESSURE: 150% OF RATED PRESSURE
 DESIGN BURST PRESSURE: 400% OF RATED PRESSURE
 OPERATING TEMPERATURE: -40°F TO +165°F
 LEAKAGE: INTERNAL: BUBBLE TIGHT
 EXTERNAL: <2 X 10⁻⁸ atm cc/sec. He
 FLOW CAPACITY (CV): SEE TABLE V
 WEIGHT: APPROXIMATELY 2 LBS.

MATERIALS CONTACTING LINE MEDIA:

SEAT: SEE TABLE III
 FRICTION SLEEVE (INNER): TEFLON
 FRICTION SLEEVE (OUTER): SEE TABLE I
 BODY: SEE TABLE I
 DIAPHRAGM: SEE TABLE I
 REMAINING PARTS: SEE TABLE I

ASSEMBLY INFORMATION:

FOR ASSEMBLY OF THIS UNIT USE SPEC: A4658-01

NOTES:

- REGULATOR INCORPORATES AN ADJUSTABLE STOP WHICH ALLOWS THE MAXIMUM OUTLET PRESSURE TO BE LIMITED TO ANY VALUE BETWEEN THE MAXIMUM RATED VALUE AND 50% OF THE MAXIMUM RATED VALUE.

3. VCR & VCO: REGISTERED TRADEMARKS OF SWAGelok CO.
 VACUSEAL: REGISTERED TRADEMARKS OF PARKER HANNIFIN CORP.

SERIES NUMBER

22-2241TT820

TABLE I	DASH NO.	BODY MATERIAL	DIAPHRAGM	SPRING	FRICTION SLEEVE (OUTER)	REMAINING PARTS
	4	316 SST	316 SST	316 SST	316 SST	316 SST

TABLE II	DASH NO.	OUTLET PRESSURE
	0	0-30 PSI
	1	0-60 PSI
	2	0-100 PSI
	3	0-150 PSI

TABLE III	DASH NO.	SEAT MATERIAL	OPERATING TEMPERATURE
	V	VESPEL Δ	-40°F TO +350°F
	K	PCTFE	-40°F TO +140°F
	T	TEFLON	-40°F TO +160°F

GAUGE PORT OPTION				
TABLE VI	DASH NO.	GAUGE PORT TYPE	NUMBER OF GAUGE PORTS	GAUGE PORT LOCATION
	0	NONE	0	SEE FIGURE A
	2	1/4 HPIC-A	1	SEE FIGURE B
	7	1/4 FEMALE, SWIVEL	1	SEE FIGURE B
	B	1/4 NPT	1	SEE FIGURE B
	S	1/4 FIXED, MALE	1	SEE FIGURE B

TABLE V	DASH NO.	MAX. INLET PRESSURE	SPRING Δ	DIAPHRAGM	STEM	SEAT RETAINER	VALVE GUIDE	FLOW CAPACITY
	2	250 PSI	316 SST	316L SST	316 SST	316 SST	316 SST	CV = .24

TABLE IV	DASH NO./LTR	INLET & OUTLET PORT SIZE	"A" ± .06 HPIC WELD-TUBE
	A4	1/4 HPIC	---
	T4	1/4 O.D. TUBE	3.50
	T6	3/8 O.D. TUBE	3.50
	T8	1/2 O.D. TUBE	3.50
	RR	1/2 MALE, SWIVEL	4.75
	RL	1/2 FEMALE, SWIVEL	4.75
	RM	1/4 MALE, SWIVEL	3.70
	RT	1/4 FEMALE, SWIVEL	3.70
	RU	IN PORT: 1/4 MALE, SWIVEL (SHORT NUT) OUT PORT: 1/4 FEMALE	3.70
	RV	IN PORT: 1/4 FEMALE OUT PORT: 1/4 MALE, SWIVEL (SHORT NUT)	3.70
	C4	1/4 COMPRESSION FITTING	4.97
	C6	3/8 COMPRESSION FITTING	5.99
	C8	1/2 COMPRESSION FITTING	5.54

<p>TESCOM CORPORATION</p> <p>HIGH PURITY CONTROLS DIVISION BLK RIVER, MN USA</p>		<p>MATERIAL: χ</p>	
<p>9-5-03 1112-03 BEM JD</p> <p>3-18-03 2238-02 DLH LRR</p> <p>6-18-03 1112-03 DLH JD</p> <p>5-6-03 146-03 BEM LRR</p> <p>10-25-02 2259-02 DLH LRR</p> <p>10-1-02 2214-02 BEM DRM</p> <p>2-6-02 125-02 BEM DRM</p> <p>10-1-01 225-01 DRM AP</p>		<p>FINISH: χ</p>	
<p>UNLESS OTHERWISE SPECIFIED: .0 ± .020 ANGLES: ±1° .00 ± .010 .000 ± .005</p> <p>SURFACE ROUGHNESS: 100 CORNER & FILLET RADI: .005-.020 THREADS: CLASS 2 REMOVE ALL BURRS</p> <p>(X) KEY CHARACTERISTICS</p> <p>DRAWING MADE IN THIRD ANGLE PROJECTION (DO NOT SCALE DRAWING)</p>		<p>DRAWN BY: DRM 10-1-01</p> <p>CHECKED BY: DRM 10-1-01</p> <p>APPROVED BY: AP 10-3-01</p>	
<p>REVISIONS</p> <p>REFERENCE DRAWING(S)</p>		<p>NAME: INSTALLATION INFORMATION</p> <p>SCALE: 1:1 SIZE: C NUMBER: 22-22XXXXXX</p> <p>CODE NO. 13669 SHT. 1 OF 1</p>	