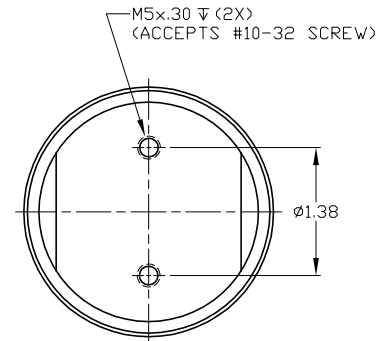
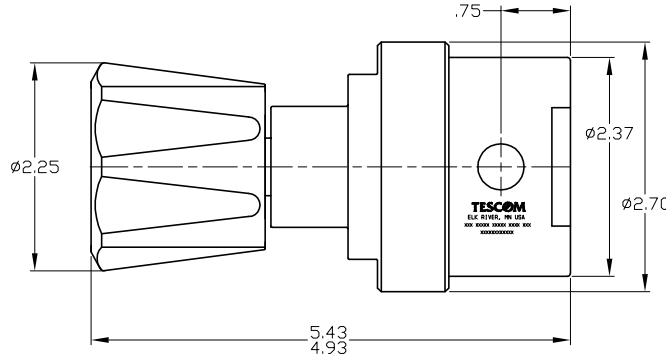
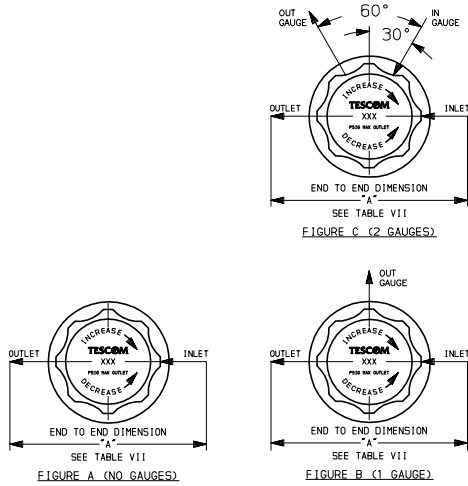


22-54XXXXXX



22-5400 SERIES REGULATOR

25Ra INTERNAL BODY FINISH, SPRING LOADED, HAND OPERATED, PRESSURE REDUCING WITH METAL-TO-METAL SEAL DIAPHRAGM.

GENERAL SPECIFICATIONS:

INLET PRESSURE: SEE TABLE V
 OUTLET PRESSURE: SEE TABLE II
 DESIGN PROOF PRESSURE: 150% OF RATED
 DESIGN BURST PRESSURE: 400% OF RATED
 OPERATING TEMPERATURE: -40°F TO +140°F
 LEAKAGE: INTERNAL: BUBBLE TIGHT
 EXTERNAL: $< 2 \times 10^{-8}$ atm cc/sec He
 FLOW CAPACITY (Cv): SEE TABLE V
 WEIGHT: APPROXIMATELY 3.50 LBS.

MATERIALS CONTACTING LINE MEDIA:

SEAT: SEE TABLE III
 BODY: SEE TABLE I
 DIAPHRAGM: HASTELLOY C-276
 SPRING: 316 SST
 SEAT RETAINER: NITRONIC 60 SST
 REMAINING PARTS: 316 SST

ASSEMBLY INFORMATION:

FOR ASSEMBLY OF THIS UNIT USE SPEC: A47288-01

NOTES:

- REGULATOR INCORPORATES AN ADJUSTABLE STOP WHICH ALLOWS THE MAXIMUM OUTLET PRESSURE TO BE LIMITED TO ANY VALUE BETWEEN THE MAXIMUM RATED VALUE AND 50% OF THE MAXIMUM RATED VALUE.

FITTING LENGTH DOES NOT ALLOW FOR ZERO CLEARANCE

TABLE I	DASH NO.	BODY MATERIAL	FINISHING
	4	316L SST	ELECTROPOLISH

TABLE II	DASH NO.	OUTLET PRESSURE
	0	0-30 PSI
	1	0-60 PSI
	2	0-100 PSI
	3	0-150 PSI

TABLE III	DASH LTR.	SEAT MATERIAL
	T	PFA
	K	PCTFE

SERIES NUMBER
22-5442KRW11

TABLE VI GAUGE PORT OPTION			
DASH NO.	GAUGE PORT TYPE	NUMBER OF GAUGE PORTS	GAUGE PORT LOCATION
0	NONE	0	SEE FIGURE A
1	1/4 HPIC-A	1	SEE FIGURE B
2	1/4 HPIC-A	2	SEE FIGURE C
B	1/4 NPT	1	SEE FIGURE B

TABLE V	DASH NO.	MAX. INLET PRESSURE	FLOW CAPACITY
	T	600 PSI	Cv ~ 1.0

TABLE IV	DASH NO./LTR	INLET & OUTLET PORT SIZE	"A" ± .06
	T6	3/8 TUBE STUBS	3.70
	T8	1/2 TUBE STUBS	3.70
	C6	3/8 COMPRESSION FITTING	6.42
	CB	1/2 COMPRESSION FITTING	6.00
	RL	1/2 FEMALE SWIVEL	5.21
	RN	1/4 (11/32) MALE FIXED IN ; 1/4 (11/32) FEMALE SWIVEL OUT	3.70
	RT	1/4 (11/32) FEMALE SWIVEL	3.70
	RU	1/2 MALE SWIVEL	5.59
	RV	1/2 MALE SWIVEL IN ; 1/2 FEMALE SWIVEL OUT	5.59
	RW	1/2 FEMALE SWIVEL	5.59
	RK	1/2 MALE SWIVEL	5.59
	RY	1/4 (11/32) FEMALE SWIVEL IN ; 1/4 (11/32) MALE FIXED OUT	3.70
	SZ	1/2 FEMALE SWIVEL IN ; 1/2 MALE SWIVEL OUT	5.59

<p>TESCOM CORPORATION HIGH PURITY CONTROLS DIVISION BLK RIVER, MN USA</p>		<p>MATERIAL:</p>																															
<p>INFORMATION CONTAINED ON THIS DOCUMENT IS THE PROPERTY OF TESCOM CORPORATION. NO RIGHTS ARE CONVEYED NOR IS PERMISSION TO DISCLOSE TO OTHERS GIVEN.</p>		<p>FINISH:</p>																															
<p>UNLESS OTHERWISE SPECIFIED: .00 ± .020 ANGLES: ±1° .00 ± .010 UNITS: INCHES .000 ± .005 SURFACE ROUGHNESS: 100 CORNER & FILLET RADI: .005-.020 THREADS: CLASS 2 REMOVE ALL BURRS</p>		<p>DRAWN BY: _____ CHECKED BY: _____ APPROVED BY: _____ DRM 5-20-05 JD 6-5-05 JD 6-5-05</p>																															
<p>REVISIONS</p> <table border="1"> <tr> <th>REV.</th> <th>DATE</th> <th>ECO NO.</th> <th>BY:</th> <th>APPR.</th> </tr> <tr> <td>E</td> <td>3-25-08</td> <td>1315-08</td> <td>DRM</td> <td>JD</td> </tr> <tr> <td>D</td> <td>02-15-08</td> <td>6031-08</td> <td>JDS</td> <td>JD</td> </tr> <tr> <td>C</td> <td>11-20-06</td> <td>228-06</td> <td>DRM</td> <td>JD</td> </tr> <tr> <td>B</td> <td>2-22-06</td> <td>125-06</td> <td>JML</td> <td>JD</td> </tr> <tr> <td>A</td> <td>8-12-05</td> <td>1132-05</td> <td>DRM</td> <td>JD</td> </tr> </table>		REV.	DATE	ECO NO.	BY:	APPR.	E	3-25-08	1315-08	DRM	JD	D	02-15-08	6031-08	JDS	JD	C	11-20-06	228-06	DRM	JD	B	2-22-06	125-06	JML	JD	A	8-12-05	1132-05	DRM	JD	<p>NAME INSTALLATION INFORMATION</p> <p>SCALE: 1:1 SIZE NUMBER 22-54XXXXXX CODE NO. 13669 SHT. 1 OF 1</p>	
REV.	DATE	ECO NO.	BY:	APPR.																													
E	3-25-08	1315-08	DRM	JD																													
D	02-15-08	6031-08	JDS	JD																													
C	11-20-06	228-06	DRM	JD																													
B	2-22-06	125-06	JML	JD																													
A	8-12-05	1132-05	DRM	JD																													
<p>SK-6803 REFERENCE DRAWING(S)</p>		<p>(DO NOT SCALE DRAWING)</p>																															