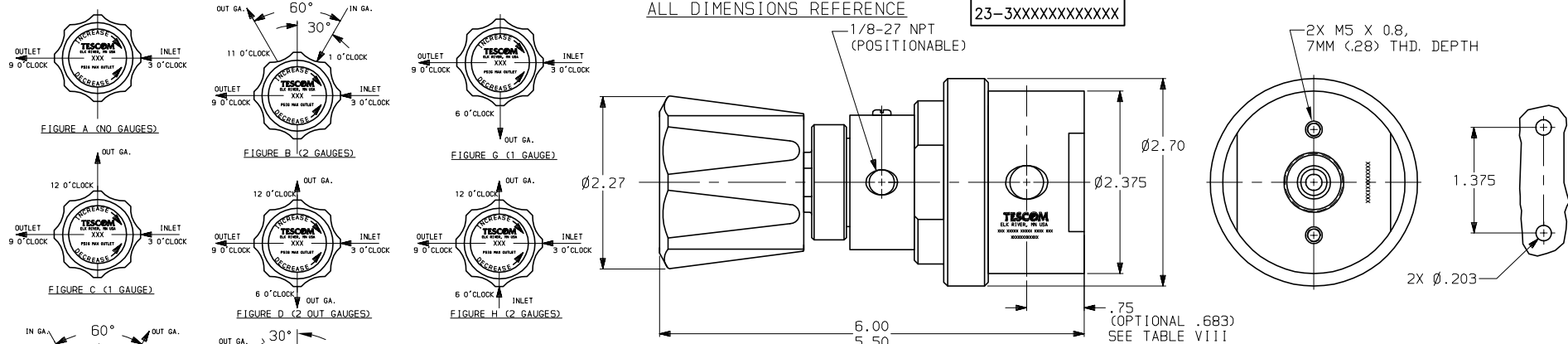


ALL DIMENSIONS REFERENCE

23-3XXXXXXXXXX



SCD: REFER TO SOURCE CONTROL TABLE  
CATALOG PRODUCTS

SERIES NUMBER

23-3B25ABHF4HF4Z

23-3 SERIES REGULATOR

SPRING LOADED, HAND OPERATED, POSITIVE SEAL DESIGN, PRESSURE REDUCING REGULATOR WITH METAL TO METAL SEALED DIAPHRAGM, 10 Ra OR 5 Ra MICROINCH FINISH ON ALL WETTED SURFACES, AND ES500-A CLEAN. LEAK CHECK HOLE ON BACK SEAL. CV = 1.8

GENERAL SPECIFICATIONS:

INLET PRESSURE: SEE TABLE I  
 OUTLET PRESSURE: SEE TABLE II  
 DESIGN PROOF PRESSURE: 150% OF RATED PRESSURE  
 DESIGN BURST PRESSURE: 400% OF RATED PRESSURE  
 OPERATING TEMPERATURE:  
 PCTFE SEAT: -40°F TO +140°F  
 TEFLON SEAT: -40°F TO +160°F  
 LEAKAGE: INTERNAL: BUBBLE TIGHT  
 EXTERNAL: <1 X 10<sup>-9</sup> atm cc/sec. He  
 FLOW CAPACITY (CV): 1.8  
 WEIGHT: APPROXIMATELY 3.2 LBS.

MATERIALS CONTACTING LINE MEDIA:

SEAT: SEE TABLE I  
 BODY: SEE TABLE I  
 TRIM MATERIAL: SEE TABLE I

ASSEMBLY INFORMATION:

FOR ASSEMBLY OF THIS UNIT USE SPEC: A41416-07

KITS:

NONMETALLIC: 23-3AXXXXXXXXXX NONE AVAILABLE  
 23-3BXXXXXXXXXX NONE AVAILABLE  
 23-3CXXXXXXXXXX NONE AVAILABLE

REPAIR:

23-3AXXXXXXXXXX 389-3790  
 23-3BXXXXXXXXXX 389-3790  
 23-3CXXXXXXXXXX 389-3791

DASH NO.	BODY MATERIAL	TRIM MATERIAL	SEAT MATERIAL	INTERNAL SURFACE FINISHES	MAX. INLET PRESSURE
A	316L SST VAR	316 SST	PCTFE	10 Ra	1000 $\Delta$
B	316L SST VAR	316 SST	PCTFE	10 Ra	250 $\Delta$
C	316L SST VAR	316 SST	TEFLON	10 Ra	150 $\Delta$
E	316L SST VAR	316 SST	PCTFE	5 Ra	250 $\Delta$
F	316L SST VAR	316 SST	TEFLON	5 Ra	150 $\Delta$

DASH NO.	OUTLET PRESSURE
0	0-30 PSI
1	0-60 PSI
2	0-100 PSI
3	0-150 PSI

DASH NO.	HANDKNOB COLOR
1	BLACK
5	WHITE

DASH NO.	PORTING CONFIGURATION
AA	IN AT 3 O'CLOCK PORT AT 9 O'CLOCK SEE FIG. "A"
AB	1/4 HPIC GAGE PORT AT 12 O'CLOCK SEE FIG. "C"
AC	1/4 FEMALE GAGE PORT AT 12 O'CLOCK SEE FIG. "C"
AD	1/4 MALE GAGE PORT AT 12 O'CLOCK SEE FIG. "C"
AE	1/4 FIXED MALE GAGE PORT AT 12 O'CLOCK SEE FIG. "C"
AM	1/4 HPIC GAGE PORT AT 1 & 11 O'CLOCK SEE FIG. "B"
AN	1/4 FEMALE GAUGE PORT AT 1 & 11 O'CLOCK SEE FIG. "B"
AR	1/4 FIXED MALE GA. PORT AT 1 & 11 O'CLOCK SEE FIG. "B"
BB	1/4 HPIC GAGE PORT AT 6 O'CLOCK SEE FIG. "G"
BM	1/4 HPIC GAGE PORT AT 1 & 11 O'CLOCK SEE FIG. "E"
BU	1/4 HPIC AT 12 & 1/2 FEMALE SWIVEL AT 6 SEE FIG. "D"
CG	1/4 HPIC AT 6 & 1/2 FEMALE SWIVEL AT 12 SEE FIG. "D"
CM	1/4 HPIC GAGE PORT AT 6 & 12 O'CLOCK SEE FIG. "D"
V	1 INCH GAGE PORT AT 7 & 11 O'CLOCK SEE FIG. "E"
DM	1/4 HPIC GAGE PORT AT 6 & 12 O'CLOCK SEE FIG. "H"

DASH NO.	3 O'CLOCK PORT TYPE	STANDARD $\phi$ TO END LENGTH	MIN. $\phi$ TO END LENGTH
G	1/2 MALE SWIVEL	2.80	2.42
H	1/2 FEMALE SWIVEL	2.80	2.10
F	1/2 TUBE	1.85	1.85
B	3/4 MALE SWIVEL	3.04 ONLY	3.04 ONLY
S	3/4 FEMALE SWIVEL	3.03 ONLY	3.03 ONLY
U	3/4 TUBE	2.88	1.85
L	1/4 (11/32) FEMALE SWIVEL HI FLOW	2.045	2.00
K	1/4 (11/32) MALE SWIVEL HI FLOW	2.045	2.045
V	1 INCH TUBE	4.07 ONLY	2.50
E	1/4 FIXED MALE	2.045	1.75

NOTES:

- REGULATOR INCORPORATES AN ADJUSTABLE STOP WHICH ALLOWS THE MAXIMUM OUTLET PRESSURE TO BE LIMITED TO ANY VALUE BETWEEN THE MAXIMUM RATED VALUE AND 50% OF THE MAXIMUM RATED VALUE.
- PRESSURE AT WHICH REGULATOR IS USED MUST BE COMPATIBLE WITH THE PRESSURE RATING OF THE REGULATOR AND PORT SIZE/TYPE PROVIDED.

DASH NO.	OPTION
Z	NONE
T	TEST REPORT (TYPICAL)
4	ELECTROPOLISH (E54130)
E	.683 PORT LOCATION
J	.683 PORT LOCATION/ELECTROPOLISH
C	CERTIFICATION OF CONFORMANCE
7	ELECTROPOLISH/CERTIFICATION OF CONFORMANCE

DASH NO.	9 O'CLOCK PORT TYPE	STANDARD $\phi$ TO END LENGTH	MIN. $\phi$ TO END LENGTH
G	1/2 MALE SWIVEL	2.80	2.62
H	1/2 FEMALE SWIVEL	2.80	2.10
F	1/2 TUBE	1.85	1.85
B	3/4 MALE SWIVEL	3.04 ONLY	3.04 ONLY
S	3/4 FEMALE SWIVEL	3.03 ONLY	3.03 ONLY
U	3/4 TUBE	2.88	1.85
L	1/4 (11/32) F SWIVEL HI FL	2.045	2.00
K	1/4 (11/32) M SWIVEL HI FL	2.045	2.045
V	1 INCH TUBE	4.07 ONLY	4.07 ONLY
E	FIXED MALE	2.045	1.75

DASH NO.	PORT CENTERLINE TO END DIM.
F4	2.80
G2	3.03
N8	4.11
N9	4.06
P5	2.10
P8	3.04
D3	2.24
D4	2.25
P0	2.61
R8	3.04
B7	1.85
R2	2.88
S5	4.07
T1	2.32
N7	1.99
T8	2.045

REV.	DATE	ECO NO.	BY:	APPR
BJ	11-9-07	6197-07	DRM	JD
BH	5-19-06	1098-06	JML	JD
BG	4-4-06	1077-06	JML	LRR
BF	10-3-05	1193-05	DRM	TL
BE	8-3-05	1120-05	DRM	LRR
BD	9-29-04	218-04	SML	JD

**TESCOM CORPORATION**  
 HIGH PURITY CONTROLS DIVISION  
 BLK RIVER, MN USA

INFORMATION CONTAINED ON THIS DOCUMENT IS THE PROPERTY OF TESCOM CORPORATION. NO RIGHTS ARE CONVEYED NOR IS PERMISSION TO DISCLOSE TO OTHERS GIVEN, UNLESS OTHERWISE SPECIFIED.

ANGLES: ±1°  
 .0 ± .020  
 .00 ± .010  
 .000 ± .005

SURFACE ROUGHNESS: 100  
 CORNER & FILLET RADII: .005-.020  
 THREADS: CLASS 2  
 REMOVE ALL BURRS

KEY CHARACTERISTICS

DRAWING MADE IN THIRD ANGLE PROJECTION  
 (DO NOT SCALE DRAWING)

MATERIAL:	X		
FINISH:	X		
DRAWN BY:	CAG	CHECKED BY:	DRM
DATE:	2-13-98	DATE:	2-16-98
APPROVED BY:	DRM	DATE:	2-16-98
NAME			
INSTALLATION INFORMATION			
SCALE:	1:1	SIZE	C
NUMBER	23-3XXXXXXXXXX	NUMBER	23-3XXXXXXXXXX
CODE NO.	13669	SHT.	1 OF 1