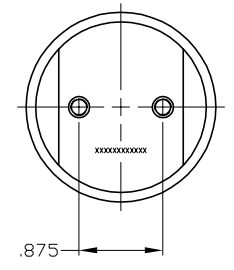
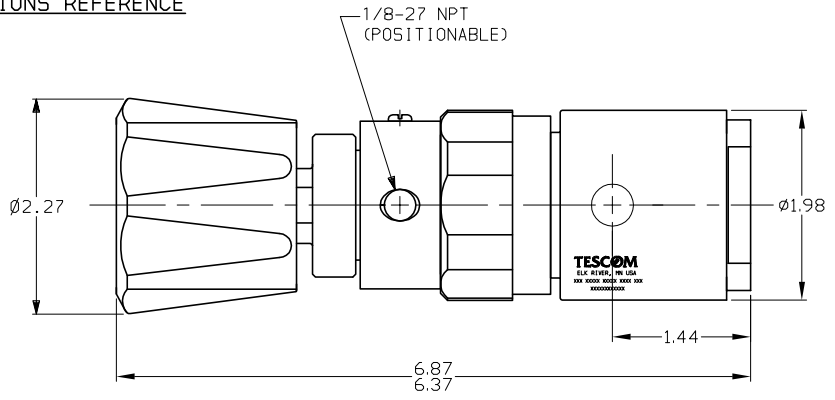
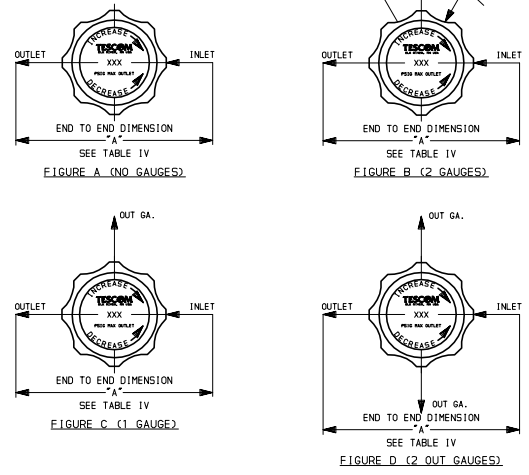


449-254-XXXX

60° 30° ALL DIMENSIONS REFERENCE



449-254 REGULATOR

SPRING LOADED, HAND OPERATED, PRESSURE REDUCING REGULATOR WITH METAL TO METAL SEALED DIAPHRAGM.
CV = 1.0 WITH 10 Ra MICROINCH FINISH ON INTERNAL SURFACES OF BODY AND ES500-B CLEAN.

MODIFICATION FEATURES:

64-2600 DIAPHRAGM SIZE
TWO DIAPHRAGMS STACKED
44-3200 HIGH FLOW VALVE PARTS
HASTELLOY TRIM

GENERAL SPECIFICATIONS:

INLET PRESSURE: 1500 PSI
OUTLET PRESSURE: 400 PSI
DESIGN INLET PROOF PRESSURE: 2250 PSIG
DESIGN BURST PRESSURE: 400% OF RATED PRESSURE
OPERATING TEMPERATURE: -40° TO +140° F
LEAKAGE: INTERNAL: BUBBLE TIGHT
EXTERNAL: <1 X 10⁻⁹ atm cc/sec. PER ASTM E449
FLOW CAPACITY (Cv): 1.0
WEIGHT: APPROXIMATELY 3.50 LBS.

MATERIALS CONTACTING LINE MEDIA:

SEAT: PCTFE
BODY: 316L SST
DIAPHRAGM: ELGILOY
VALVE: HASTELLOY

ASSEMBLY INFORMATION:

SEE: A42065-05

REPAIR KIT:

389-3822*

NOTES:

- REGULATOR INCORPORATES AN ADJUSTABLE STOP WHICH ALLOWS THE MAXIMUM OUTLET PRESSURE TO BE LIMITED TO ANY VALUE BETWEEN THE MAXIMUM RATED VALUE AND 50% OF THE MAXIMUM RATED VALUE.

SERIES NUMBER
MODIFICATION NUMBER
449-254-4RK0

TABLE I	
DASH NO.	OUTLET PRESSURE
4	0-400 PSI

TABLE II		
DASH NO.	IN & OUT PORT TYPE	COMPATIBLE WITH:
R	WELDED	VCR/VACUSEAL
T	TUBE	-----

TABLE III		
DASH NO./LTR	INLET & OUTLET PORT SIZE	*A ± .06
G	1/4 MALE SWIVEL (HI FLOW)	4.00
H	1/4 FEMALE SWIVEL (HI FLOW)	4.00
B	1/2 TUBE	5.21
K	1/2 MALE, SWIVEL	5.21
L	1/2 FEMALE, SWIVEL	5.21
V	1/2 MALE, SWIVEL INLET	5.21
	1/2 FEMALE, SWIVEL OUTLET	5.21

TABLE IV			
DASH NO.	GAUGE PORT TYPE	NUMBER OF GAUGE PORTS	GAUGE PORT LOCATION
0	NONE	0	SEE FIGURE A
4	1/4 MALE, SWIVEL	2	SEE FIGURE D
5	1/4 MALE, SWIVEL	1	SEE FIGURE C
6	1/4 MALE, SWIVEL	2	SEE FIGURE B
7	1/4 FEMALE, SWIVEL	2	SEE FIGURE D
8	1/4 FEMALE, SWIVEL	1	SEE FIGURE C
9	1/4 FEMALE, SWIVEL	2	SEE FIGURE B
S	1/4 FIXED, MALE	2	SEE FIGURE B
T	1/4 FIXED, MALE	1	SEE FIGURE C
U	1/4 FIXED, MALE	2	SEE FIGURE D

REV.	DATE	ECO NO.	BY:	APPR
N	1-9-08	6229-07	DRM	LRR
M	2/16/07	1023-07	MRN	JD
L	7-6-06	173-06	JML	JD
K	11-1-04	1178-04	JML	JD

TESCOM CORPORATION
HIGH PURITY CONTROLS DIVISION
ELK RIVER, MN USA

INFORMATION CONTAINED ON THIS DOCUMENT IS THE PROPERTY OF TESCOM CORPORATION. NO RIGHTS ARE CONVEYED NOR IS PERMISSION TO DISCLOSE TO OTHERS GIVEN.

UNLESS OTHERWISE SPECIFIED:
 .0 ± .020 ANGLES: ±1°
 .00 ± .010
 .000 ± .005
 SURFACE ROUGHNESS: 100
 CORNER & FILLET RADII: .005-.020
 THREADS: CLASS 2
 REMOVE ALL BURRS
 (X) KEY CHARACTERISTICS

DRAWING MADE IN THIRD ANGLE PROJECTION
(DO NOT SCALE DRAWING)

MATERIAL: X

FINISH: X

DRAWN BY:	CHECKED BY:	APPROVED BY:
DRM 8-30-99	LRR 12-14-99	LRR 12-14-99

NAME
INSTALLATION INFORMATION

SCALE: -----	SIZE	NUMBER
CODE NO. 13669	C	449-254-XXXX
	SHT.	1 OF 1