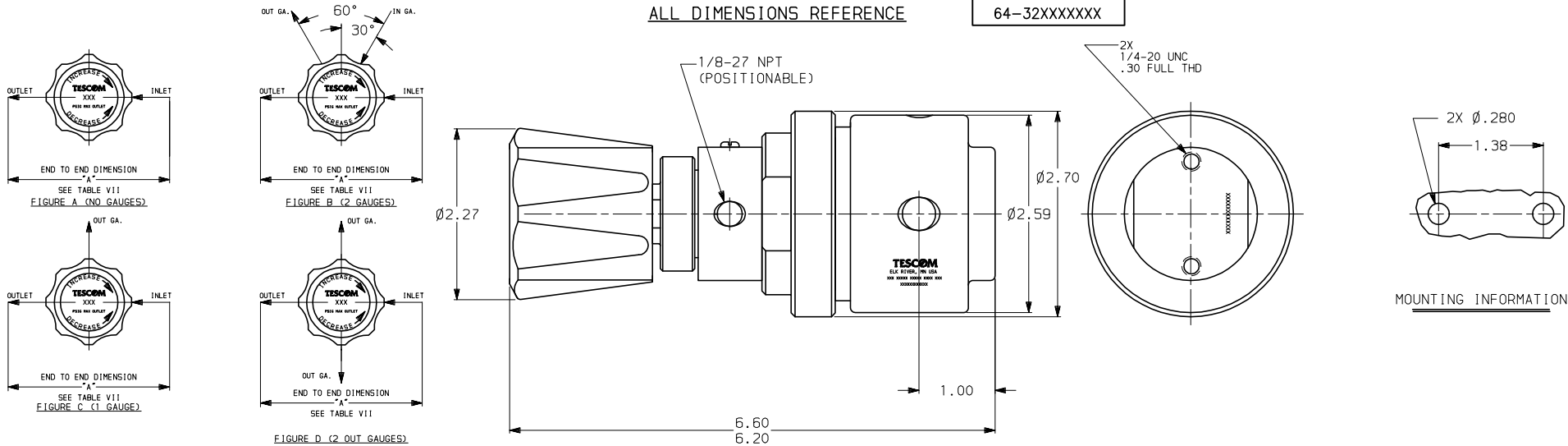


ALL DIMENSIONS REFERENCE

64-32XXXXXX



MOUNTING INFORMATION

64-3200 SERIES REGULATOR

SPRING LOADED, HAND OPERATED, PRESSURE REDUCING REGULATOR REGULATOR WITH METAL TO METAL SEALED DIAPHRAGM. POSITIVE SEAL DESIGN. CV = 1.2 WITH 10 Ra MICRINCH FINISH ON INTERNAL SURFACES OF BODY AND ES500-B CLEAN.

GENERAL SPECIFICATIONS:

INLET PRESSURE: SEE TABLE VI
 OUTLET PRESSURE: SEE TABLE II
 DESIGN PROOF PRESSURE: 150% OF RATED PRESSURE
 DESIGN BURST PRESSURE: 400% OF RATED PRESSURE
 OPERATING TEMPERATURE: SEE TABLE III
 LEAKAGE: INTERNAL: BUBBLE TIGHT
 EXTERNAL: 1×10^{-9} atm cc/sec. PER ASTM E449
 FLOW CAPACITY (Cv): 1.2
 WEIGHT: APPROXIMATELY 3.50 LBS.

MATERIALS CONTACTING LINE MEDIA:

SEAT: SEE TABLE III
 BODY: SEE TABLE I
 DIAPHRAGM: SEE TABLE VI
 REMAINING PARTS: SEE TABLE VI

ASSEMBLY INFORMATION:

FOR ASSEMBLY OF THIS UNIT USE SPEC: A44549-01

KITS:

NONMETALLIC: NONE AVAILABLE
 STANDARD

REPAIR:

HPIC & WELDED BODIES: XXX-XXXX

SERIES NUMBER

64-3263KRL10

TABLE I	DASH NO.	BODY MATERIAL	FINISHING
	6	316L SST	INTERNAL EP (ES500-B CLEAN)
	4	316L SST	ELECTROPOLISH

TABLE II	DASH NO.	OUTLET PRESSURE
	0	0-30 PSI
	1	0-60 PSI
	2	0-100 PSI
	3	0-150 PSI (1000 OR 1500 PSI INLET ONLY)
	4	0-200 PSI (1000 OR 1500 PSI INLET ONLY)

TABLE III	DASH NO.	SEAT MATERIAL	OPERATING TEMPERATURE
	K	PCTFE	-40°F TO +140°F (1000, 1500 INLET)
	T	TEFLON	-40°F TO +160°F (150 INLET ONLY)
	V	VESPEL	-40°F TO +350°F (1000, 1500 INLET)

TABLE VII	DASH NO./LTR	INLET & OUTLET PORT SIZE	*A* ± .06
	T1	1 INCH O.D. TUBE	5.75
	T6	3/8 O.D. TUBE	3.70
	T7	3/4 O.D. TUBE	5.75
	TB	1/2 O.D. TUBE	3.70
	RA	1/4 MALE, FIXED	3.70
	RB	3/4 MALE, SWIVEL	6.30
	RC	3/4 FEMALE, SWIVEL	6.30
	RG	1/4 MALE, SWIVEL, HIGH FLOW	4.27
	RH	1/4 FEMALE, SWIVEL, HIGH FLOW	4.27
	RK	1/2 MALE, SWIVEL	5.59
	RL	1/2 FEMALE, SWIVEL	5.59
	RU	IN: 1/4 FIXED MALE OUT: 1/4 FEMALE SWIVEL	3.70
	RV	IN: 1/2 MALE, SWIVEL OUT: 1/2 FEMALE, SWIVEL	5.59
	RY	IN: 1/4 FEMALE, HIGH FLOW OUT: 1/4 MALE, FIXED	4.27
	RZ	IN: 1/2 FEMALE, SWIVEL OUT: 1/2 MALE, SWIVEL	5.59
	SA	1/4 MALE, FIXED	4.08
	SK	1/2 MALE, SWIVEL	5.21

TABLE V	DASH NO.	GAUGE PORT TYPE	NUMBER OF GAUGE PORTS	GAUGE PORT LOCATION
	0	NONE	0	SEE FIGURE A
	1	1/4 HPIC-A	1	SEE FIGURE C
	2	1/4 HPIC-A	2	SEE FIGURE B
	3	1/4 HPIC-A	2	SEE FIGURE D
	4	1/4 MALE, SWIVEL	2	SEE FIGURE D
	5	1/4 MALE, SWIVEL	1	SEE FIGURE C
	6	1/4 MALE, SWIVEL	2	SEE FIGURE B
	7	1/4 FEMALE, SWIVEL	2	SEE FIGURE D
	8	1/4 FEMALE, SWIVEL	1	SEE FIGURE C
	9	1/4 FEMALE, SWIVEL	2	SEE FIGURE B
	N	1/4 TUBE STUB	2	SEE FIGURE B
	P	1/4 TUBE STUB	1	SEE FIGURE C
	R	1/4 TUBE STUB	2	SEE FIGURE D
	S	1/4 FIXED, MALE	2	SEE FIGURE B
	T	1/4 FIXED, MALE	1	SEE FIGURE C
	U	1/4 FIXED, MALE	2	SEE FIGURE D

TABLE VI	DASH NO.	MAX. INLET PRESSURE	VALVE SPRING	DIAPHRAGM	STEM	SEAT RETAINER
	1	1500 PSI	316 SST	HASTELLOY	316 SST	316 SST
	2	1000 PSI	316 SST	HASTELLOY	316 SST	316 SST
	3	150 PSI	316 SST	HASTELLOY	316 SST	316 SST
	4	1500 PSI	316 SST	HASTELLOY	HASTELLOY	316 SST
	5	1000 PSI	316 SST	HASTELLOY	HASTELLOY	316 SST
	6	150 PSI	316 SST	HASTELLOY	HASTELLOY	316 SST

SCD: REFER TO SOURCE CONTROL TABLE CATALOG PRODUCTS

NOTES:

- REGULATOR INCORPORATES AN ADJUSTABLE STOP WHICH ALLOWS THE MAXIMUM OUTLET PRESSURE TO BE LIMITED TO ANY VALUE BETWEEN THE MAXIMUM RATED VALUE AND 50% OF THE MAXIMUM RATED VALUE.

AD 11-14-07 1130-07	DRM JD	<p>TESCOM CORPORATION HIGH PURITY CONTROLS DIVISION ELK RIVER, MN USA</p> <p>INFORMATION CONTAINED ON THIS DOCUMENT IS THE PROPERTY OF TESCOM CORPORATION. NO RIGHTS ARE CONVEYED NOR IS PERMISSION TO DISCLOSE TO OTHERS GIVEN.</p> <p>UNLESS OTHERWISE SPECIFIED: .0 ± .020 ANGLES: ±1° .00 ± .010 .000 ± .005 SURFACE ROUGHNESS: 100 CORNER & FILLET RADIUS: .005-.020 THREADS: CLASS 2 REMOVE ALL BURRS (X) KEY CHARACTERISTICS</p> <p>DRAWING MADE IN THIRD ANGLE PROJECTION (DO NOT SCALE DRAWING)</p>	MATERIAL: X
AC 6-25-07 6088-07	JDS LRR		FINISH: X
AB 3-5-07 6023-07	DRM JD		
AA 3-17-06 139-06	JML JD		
Z 1-9-06 1308-05	DRM JD		
Y 10-3-05 1193-05	DRM TL		
W 08-30-04 208-04	SML JD		
V 2-17-04 1036-04	FML JD		
U 1-28-04 1030-04	BBM JD		
REV. DATE ECO NO. BY: APPR			
REVISIONS			
REFERENCE DRAWING(S)			
DRAWN BY: CAG 5-18-98		CHECKED BY: DL 5-21-98	APPROVED BY: DL 5-21-98
NAME			INSTALLATION INFORMATION
SCALE: -----	SIZE	NUMBER	64-32XXXXXX
CODE NO. 13669	C	SHT. 1 OF 1	