

64-3600 SERIES REGULATOR

SPRING LOADED, HAND OPERATED, UNTIED OR POSITIVE SEAL DESIGN
 PRESSURE REDUCING REGULATOR WITH METAL TO METAL
 SEALED DIAPHRAGM, 10 Ra MICROINCH FINISH ON ALL
 WETTED SURFACES.

GENERAL SPECIFICATIONS:

INLET PRESSURE: SEE TABLE VI
 OUTLET PRESSURE: SEE TABLE II
 DESIGN PROOF PRESSURE: 150% OF RATED PRESSURE
 DESIGN BURST PRESSURE: 400% OF RATED PRESSURE
 OPERATING TEMPERATURE: SEE TABLE III
 LEAKAGE: INTERNAL: BUBBLE TIGHT
EXTERNAL: <1 X 10⁻⁹ atm cc/sec. PER ASTM E449
 FLOW CAPACITY (Cv): SEE TABLE VI
 WEIGHT: APPROXIMATELY 2 LBS.

MATERIALS CONTACTING LINE MEDIA:

SEAT: SEE TABLE III
 BODY: SEE TABLE I
 DIAPHRAGM: HASTELLOY
 REMAINING PARTS: SEE TABLE VI

ASSEMBLY INFORMATION:

FOR ASSEMBLY OF THIS UNIT USE SPEC:

- 64-36XXXXX1X: A41706-01
- 64-36XXXXX2X: A41706-01
- 64-36XXXXX3X: A41706-02
- 64-36XXXXX4X: A41706-03
- 64-36XXXXX5X: A41706-03

KITS:

NONMETALLIC:

- 64-36XXXXX1X 64-36XXXXX2X 64-36XXXXX1X 64-36XXXXX2X 64-36XXXXX3X 64-36XXXXX4X
- 389-3706 389-3707 389-3708 389-3709 389-3710 389-3711
- 64-36XXXXX1X 64-36XXXXX2X 64-36XXXXX3X 64-36XXXXX4X 64-36XXXXX5X 64-36XXXXX5X
- 389-3743 389-3744 389-3745 389-3746 389-3747 389-3712

REPAIR:

- 64-36XXXXX1X 64-36XXXXX2X 64-36XXXXX1X 64-36XXXXX2X 64-36XXXXX3X 64-36XXXXX4X
- 389-3713 389-3714 389-3715 389-3716 389-3717 389-3718
- 64-36XXXXX1X 64-36XXXXX2X 64-36XXXXX3X 64-36XXXXX4X 64-36XXXXX5X 64-36XXXXX5X
- 389-3748 389-3749 389-3750 389-3751 389-3752 389-3719

ALL DIMENSIONS REFERENCE

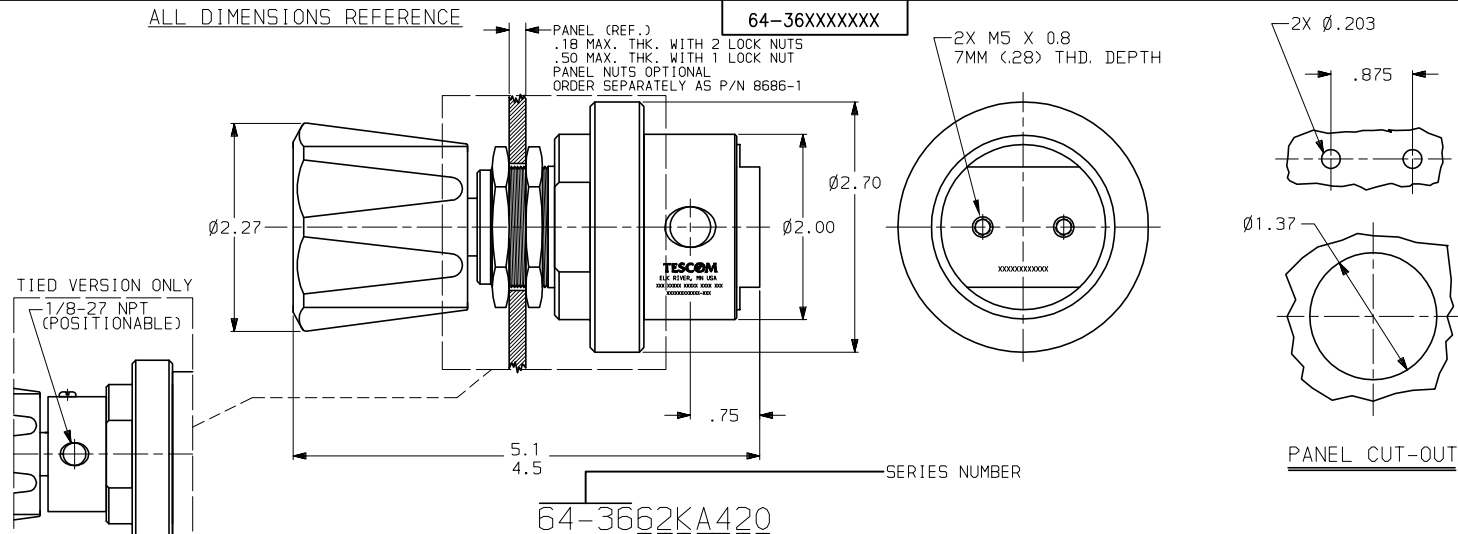


TABLE I	DASH NO.	BODY MATERIAL	FINISHING
	4	316L SST	ELECTROPOLISH
	5	HASTELLOY	ES500 CLEAN
	6	316L SST	INTERNAL EP (ES500-B CLEAN)
	V	316L SST VAR	INTERNAL EP (ES500-B CLEAN)

TABLE II	DASH NO.	OUTLET PRESSURE
	0	0-30 PSI
	1	0-60 PSI
	2	0-100 PSI
	3	0-150 PSI

TABLE III	DASH NO.	SEAT MATERIAL	OPERATING TEMPERATURE
	K	PCTFE	-40°F TO +140°F
	T	TEFLON (UNTIED ONLY)	-40°F TO +160°F
	V	VESPEL	-40°F TO +350°F
	Z	TEFZEL	-40°F TO +160°F

TABLE V			
DASH NO.	GAUGE PORT TYPE	NUMBER OF GAUGE PORTS	GAUGE PORT LOCATION
0	NONE	0	SEE FIGURE A
1	1/4 HPIC-A	1	SEE FIGURE C
2	1/4 HPIC-A	2	SEE FIGURE B
3	1/4 HPIC-A	2	SEE FIGURE D
4	1/4 MALE, SWIVEL	2	SEE FIGURE D
5	1/4 MALE, SWIVEL	1	SEE FIGURE C
6	1/4 MALE, SWIVEL	2	SEE FIGURE B
7	1/4 FEMALE, SWIVEL	2	SEE FIGURE D
8	1/4 FEMALE, SWIVEL	1	SEE FIGURE C
9	1/4 FEMALE, SWIVEL	2	SEE FIGURE B
N	1/4 TUBE STUB	2	SEE FIGURE B
P	1/4 TUBE STUB	1	SEE FIGURE C
R	1/4 TUBE STUB	2	SEE FIGURE D
S	1/4 FIXED, MALE	2	SEE FIGURE B
T	1/4 FIXED, MALE	1	SEE FIGURE C
U	1/4 FIXED, MALE	2	SEE FIGURE D

TABLE VI	DASH NO.	SEAL DESIGN	MAX. INLET PRESSURE	STEM MAT'L.	REMAINING PARTS MATL.	VALVE SPRING	FLOW CAPACITY
	1	UNTIED	3500 PSI	316 SST	316 SST	316 SST	Cv = .06
	2	UNTIED	600 PSI	316 SST	316 SST	316 SST	Cv = .15
	3	TIED	3500 PSI	316 SST	316 SST	316 SST	Cv = .06
	4	TIED	3500 PSI	316 SST	316 SST	316 SST	Cv = .15
	5	TIED	3500 PSI	HASTELLOY	316 SST/HAST.	HASTELLOY	Cv = .15

SCD: REFER TO SOURCE CONTROL TABLE CATALOG PRODUCTS

NOTES:

- REGULATOR INCORPORATES AN ADJUSTABLE STOP WHICH ALLOWS THE MAXIMUM OUTLET PRESSURE TO BE LIMITED TO ANY VALUE BETWEEN THE MAXIMUM RATED VALUE AND 50% OF THE MAXIMUM RATED VALUE.

BD 3-12-08	1256-08	DRM	JD	TESCOM CORPORATION HIGH PURITY CONTROLS DIVISION ELK RIVER, MN USA INFORMATION CONTAINED ON THIS DOCUMENT IS THE PROPERTY OF TESCOM CORPORATION. NO RIGHTS ARE CONVEYED NOR IS PERMISSION TO DISCLOSE TO OTHERS GIVEN. UNLESS OTHERWISE SPECIFIED: 0 ± .020 ANGLES: ±1° .00 ± .010 .000 ± .005 SURFACE ROUGHNESS: 100 CORNER & FILLET RADII: .005-.020 THREADS: CLASS 2 REMOVE ALL BURRS (X) KEY CHARACTERISTICS DRAWING MADE IN THIRD ANGLE PROJECTION (DO NOT SCALE DRAWING)	MATERIAL: <u>X</u>
BC 8-23-07	6143-07	JDS	TL		FINISH: <u>X</u>
BB 4-11-07	6050-07	DRM	JD		
BA 8-22-07	6138-07	JDS	JD		
AZ 2-27-07	6023-07	DRM	JD		
AY 6-30-06	1138-06	DRM	JD		
AW 5-11-06	1108-06	JML	TL		
AV 12-23-05	1308-05	DRM	JD		
AU 10-3-05	1193-05	DRM	TL		
AT 8-17-05	1183-05	DRM	JD		
REV.	DATE	ECO NO.	BY:	APPR	
REVISIONS					
REFERENCE DRAWING(S)					
DRAWN BY: CAG 12-22-97					CHECKED BY: DL 12-23-97
APPROVED BY: DL 12-23-97					
NAME					
INSTALLATION INFORMATION					
SCALE: ---					SIZE NUMBER
CODE NO. 13669					64-36XXXXXX
					SHT. 1 OF 1