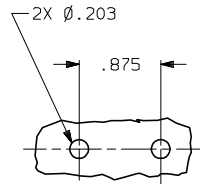
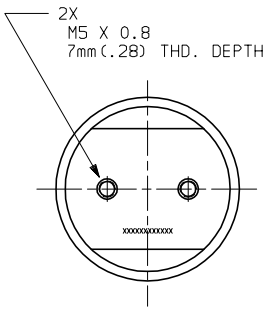
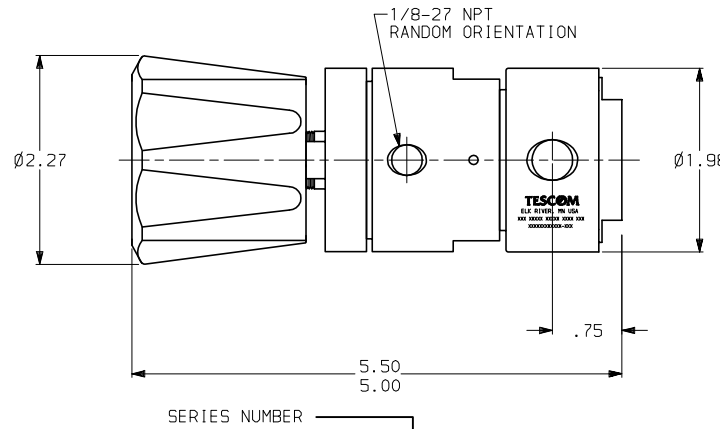
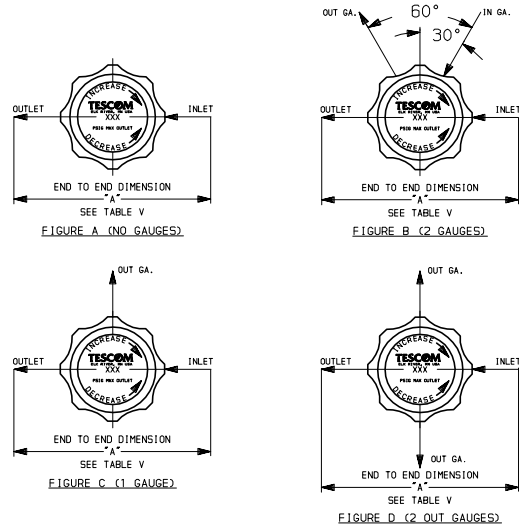


ALL DIMENSIONS REFERENCE

64-50XXXXXX



MOUNTING INFORMATION

64-5000 SERIES REGULATOR

SPRING LOADED, HAND OPERATED, NEGATIVE BIAS PRESSURE REDUCING REGULATOR WITH METAL TO METAL SEALED DIAPHRAGM, 10 Ra MICROINCH FINISH ON ALL WETTED SURFACES.

GENERAL SPECIFICATIONS:

INLET PRESSURE: SEE TABLE VI
 OUTLET PRESSURE: SEE TABLE II
 DESIGN PROOF PRESSURE: 150% OF RATED PRESSURE
 DESIGN BURST PRESSURE: 400% OF RATED PRESSURE
 OPERATING TEMPERATURE: SEE TABLE III
 LEAKAGE: INTERNAL: BUBBLE TIGHT
 EXTERNAL: $<1 \times 10^{-9}$ atm cc/sec. PER ASTM E449
 FLOW CAPACITY (Cv): SEE TABLE VI
 WEIGHT: APPROXIMATELY 2 LBS.

MATERIALS CONTACTING LINE MEDIA:

SEAT: SEE TABLE III
 BODY: SEE TABLE VI
 DIAPHRAGM: SEE TABLE VI
 REMAINING PARTS: SEE TABLE VI

ASSEMBLY INFORMATION:

FOR ASSEMBLY OF THIS UNIT USE SPEC: A41388-01

KITS:

NONMETALLIC: (64-506TXX0X) (64-506TXX2X) 389-3660 389-3661
 (64-506TXX3X) (64-506TXX5X) 389-3660 389-3661
 (64-506TXX1X) (64-506KXX1X) 389-3662 389-3666
 (64-506TXX4X) (64-506KXX4X) 389-3662 389-3666

REPAIR:

(64-506TXX0X) (64-506KXX2X) 389-3663 389-3664
 (64-506TXX1X) (64-506KXX1X) 389-3665 389-3667
 (64-506TXX3X) (64-506TXX4X) 389-3807 389-3808
 (64-506TXX5X) (64-506KXX4X) 389-3810 389-3809

TABLE I	
DASH NO.	BODY MATERIAL
V	316L SST VAR
6	INTERNAL EP (E5500-B CLEAN)
4	316L SST
B	INTERNAL EP (E5500-B CLEAN) 5 Ra
	ELECTROPOLISH
	316L SST VAR

TABLE II	
DASH NO.	OUTLET PRESSURE
0	28 IN. VACUUM TO 15 PSIG
1	28 IN. VACUUM TO 30 PSIG
2	28 IN. VACUUM TO 60 PSIG
3	28 IN. VACUUM TO 100 PSIG

TABLE III		
DASH NO.	SEAT MATERIAL	OPERATING TEMPERATURE
K	PTFE	-40°F TO +140°F
T	TEFLON	-40°F TO +160°F

TABLE IV		
DASH NO.	IN & OUT PORT TYPE	COMPATIBLE WITH:
A	HPIC	VCR/VACULOK/VACUSEAL
R	WELDED	VCR/VACULOK/VACUSEAL
T	WELDED	-----

TABLE V		
DASH NO./LTR	INLET & OUTLET PORT SIZE	$A \pm .060$ HPIC WELD-TUBE
4	1/4	3.00
6	3/8	3.00
B	1/2	3.00
G	1/4 MALE, SWIVEL	4.50
H	1/4 FEMALE, SWIVEL	4.50
A	1/4 MALE, FIXED	3.51
K	1/2 MALE, SWIVEL	4.75
L	1/2 FEMALE, SWIVEL	4.75
N	IN PORT: 1/4 MALE, SWIVEL OUT PORT: 1/4 FEMALE	4.50
R	IN PORT: 1/4 FEMALE OUT PORT: 1/4 MALE SWIVEL	4.50
T	1/4 FEMALE, SWIVEL	3.70
Z	IN PORT: 1/2 FEMALE OUT PORT: 1/2 MALE SWIVEL	4.75
M	1/4 MALE, SWIVEL	3.70
V	IN PORT: 1/4 FEMALE OUT: 1/4 MALE SWIVEL (SHORT NUT)	3.70
U	IN: 1/4 MALE SWIVEL (SHORT NUT) OUT PORT: 1/4 FEMALE	3.70
V	IN: 1/4 FEMALE OUT: 1/4 MALE SWIVEL (SHORT NUT)	3.70

NOTES:

- REGULATOR INCORPORATES AN ADJUSTABLE STOP WHICH ALLOWS THE MAXIMUM OUTLET PRESSURE TO BE LIMITED TO ANY VALUE BETWEEN THE MAXIMUM RATED VALUE AND 50% OF THE MAXIMUM RATED VALUE.

TABLE VII			
DASH NO.	GAUGE PORT TYPE	NUMBER OF GAUGE PORTS	GAUGE PORT LOCATION
0	NONE	0	SEE FIGURE A
1	1/4 HPIC-A	1	SEE FIGURE C
2	1/4 HPIC-A	2	SEE FIGURE B
3	1/4 HPIC-A	2	SEE FIGURE D
4	1/4 MALE, SWIVEL	2	SEE FIGURE D
5	1/4 MALE, SWIVEL	1	SEE FIGURE C
6	1/4 MALE, SWIVEL	2	SEE FIGURE B
7	1/4 FEMALE, SWIVEL	2	SEE FIGURE D
8	1/4 FEMALE, SWIVEL	1	SEE FIGURE C
9	1/4 FEMALE, SWIVEL	2	SEE FIGURE B
N	1/4 TUBE STUB	1	SEE FIGURE C
R	1/4 TUBE STUB	2	SEE FIGURE D
S	1/4 FIXED, MALE	2	SEE FIGURE B
T	1/4 FIXED, MALE	1	SEE FIGURE C
U	1/4 FIXED, MALE	2	SEE FIGURE D

TABLE VI								
DASH NO.	MAX. INLET PRESSURE	SPRING	DIAPHRAGM	STEM	SEAT RETAINER	VALVE GUIDE	FLOW CAPACITY	
0	120 PSI	316 SST	316L SST	316 SST	316 SST	316 SST	Cv = .24	
1	3500 PSI	316 SST	316L SST	316 SST	316 SST	316 SST	Cv = .06	
2	600 PSI	316 SST	316L SST	316 SST	316 SST	316 SST	Cv = .15	
3	120 PSI	ELILOY	HASTELLOY	HASTELLOY	316 SST	HASTELLOY	Cv = .24	
4	3500 PSI	ELILOY	HASTELLOY	HASTELLOY	316 SST	HASTELLOY	Cv = .06	
5	600 PSI	ELILOY	HASTELLOY	HASTELLOY	316 SST	HASTELLOY	Cv = .15	

REV.	DATE	EFFECTIVE DATE	BY	APPROVED
AG	2-28-07	6023-07	DRM	JD
AF	10-2-05	276-05	DRM	JD

TESCOM CORPORATION
 HIGH PURITY CONTROLS DIVISION
 ELK RIVER, MN USA

INFORMATION CONTAINED ON THIS DOCUMENT IS THE PROPERTY OF TESCOM CORPORATION. NO RIGHTS ARE CONVEYED NOR IS PERMISSION TO DISCLOSE TO OTHERS GIVEN.

UNLESS OTHERWISE SPECIFIED:
 .0 ± .020 ANGLES: ±1°
 .00 ± .010
 .000 ± .005
 SURFACE ROUGHNESS: 100
 CORNER & FILLET RADI: .005-.020
 THREADS: CLASS 2
 REMOVE ALL BURRS
 (X) KEY CHARACTERISTICS
 DRAWING MADE IN THIRD ANGLE PROJECTION
 (DO NOT SCALE DRAWING)

MATERIAL: X

FINISH: X

DRAWN BY: CAG 2-6-98
 CHECKED BY: DL 2-6-98
 APPROVED BY: DL 2-6-98

NAME: **INSTALLATION INFORMATION**

SCALE: -- SIZE NUMBER: **64-50XXXXXX**
 CODE NO. 13669 SHT. 1 OF 1