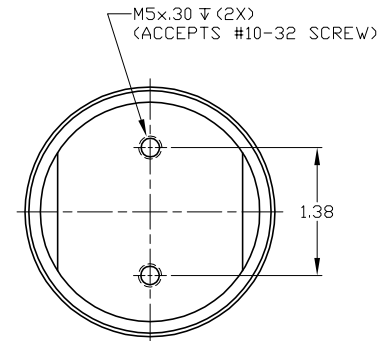
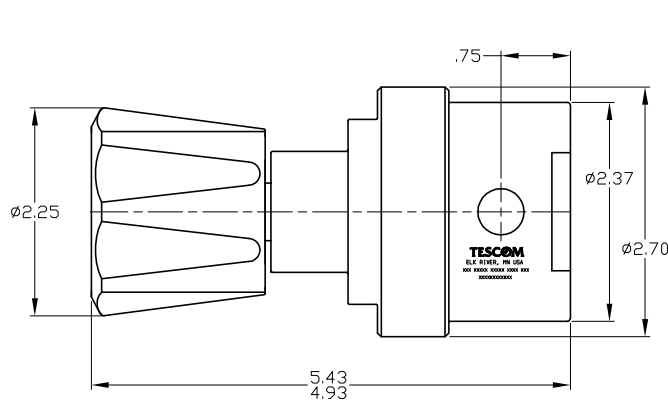
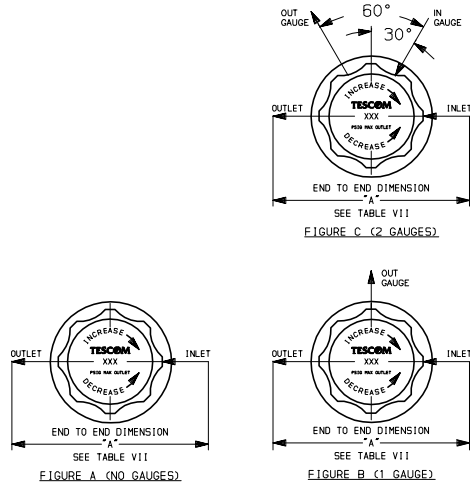


64-54XXXXXX



64-5400 SERIES REGULATOR

10Ra INTERNAL BODY FINISH, SPRING LOADED, HAND OPERATED, PRESSURE REDUCING WITH METAL-TO-METAL SEAL DIAPHRAGM.

GENERAL SPECIFICATIONS:

INLET PRESSURE: SEE TABLE V
 OUTLET PRESSURE: SEE TABLE II
 DESIGN PROOF PRESSURE: 150% OF RATED
 DESIGN BURST PRESSURE: 400% OF RATED
 OPERATING TEMPERATURE: -40°F TO +140°F
 LEAKAGE: INTERNAL: BUBBLE TIGHT
 EXTERNAL: <1 X 10⁻⁹ atm cc/sec He
 FLOW CAPACITY (Cv): SEE TABLE V
 WEIGHT: APPROXIMATELY 3.50 LBS.

MATERIALS CONTACTING LINE MEDIA:

SEAT: SEE TABLE III
 BODY: SEE TABLE I
 DIAPHRAGM: HASTELLOY C-276
 SPRING: 316 SST
 SEAT RETAINER: NITRONIC 60 SST
 REMAINING PARTS: 316 SST

ASSEMBLY INFORMATION:

FOR ASSEMBLY OF THIS UNIT USE SPEC: A47288-01

NOTES:

- REGULATOR INCORPORATES AN ADJUSTABLE STOP WHICH ALLOWS THE MAXIMUM OUTLET PRESSURE TO BE LIMITED TO ANY VALUE BETWEEN THE MAXIMUM RATED VALUE AND 50% OF THE MAXIMUM RATED VALUE.

△ FITTING LENGTH DOES NOT ALLOW FOR ZERO CLEARANCE

DASH NO.	BODY MATERIAL	FINISHING
6	316L SST	INTERNAL EP (E5500-B CLEAN)
4	316L SST	ELECTROPOLISH

DASH NO.	OUTLET PRESSURE
0	0-30 PSI
1	0-60 PSI
2	0-100 PSI
3	0-150 PSI

DASH LTR.	SEAT MATERIAL
T	PFA
K	PCFEE

GAUGE PORT OPTION			
DASH NO.	GAUGE PORT TYPE	NUMBER OF GAUGE PORTS	GAUGE PORT LOCATION
0	NONE	0	SEE FIGURE A
1	1/4 HPIC-A	1	SEE FIGURE B
2	1/4 HPIC-A	2	SEE FIGURE C
5	1/4 (11/32) MALE SWIVEL	1	SEE FIGURE B
6	1/4 (11/32) MALE SWIVEL	2	SEE FIGURE C

DASH NO.	MAX. INLET PRESSURE	FLOW CAPACITY
1	600 PSI	Cv - 1.0

DASH NO./LTR	INLET & OUTLET PORT SIZE	"A" ± .06
T6	3/8 TUBE STUBS	3.70
T8	1/2 TUBE STUBS	3.70
C6	3/8 COMPRESSION FITTING	6.42
C8	1/2 COMPRESSION FITTING	6.00
RL	1/2 FEMALE SWIVEL	5.21
RN	1/4 (11/32) MALE FIXED IN ; 1/4 (11/32) FEMALE SWIVEL OUT	3.70
RT	1/4 (11/32) FEMALE SWIVEL	3.70
RU	1/2 MALE SWIVEL	5.59
RV	1/2 MALE SWIVEL IN ; 1/2 FEMALE SWIVEL OUT	5.59
RW	1/2 FEMALE SWIVEL	5.59
RK	1/2 MALE SWIVEL	5.59
RY	1/4 (11/32) FEMALE SWIVEL IN ; 1/4 (11/32) MALE FIXED OUT	3.70
SZ	1/2 FEMALE SWIVEL IN ; 1/2 MALE SWIVEL OUT	5.59
RC	3/4 FEMALE SWIVEL	6.07

SERIES NUMBER

64-5442KRW11

<p>TESCOM CORPORATION HIGH PURITY CONTROLS DIVISION BLK RIVER, MN USA</p>		<p>MATERIAL:</p>																										
<p>INFORMATION CONTAINED ON THIS DOCUMENT IS THE PROPERTY OF TESCOM CORPORATION. NO RIGHTS ARE CONVEYED NOR IS PERMISSION TO DISCLOSE TO OTHERS GIVEN.</p>		<p>FINISH:</p>																										
<p>UNLESS OTHERWISE SPECIFIED: .0 ± .020 ANGLES: ±1° .00 ± .010 UNITS: INCHES .000 ± .005 SURFACE ROUGHNESS: 100/ CORNER & FILLET RADI: .005-.020 THREADS: CLASS 2 REMOVE ALL BURRS</p>		<p>DRAWN BY: DRM 5-20-05 CHECKED BY: JD 6-5-05 APPROVED BY: JD 6-5-05</p>																										
<p>REVISIONS</p> <table border="1"> <tr> <th>REV.</th> <th>DATE</th> <th>ECO NO.</th> <th>BY:</th> <th>APPR</th> </tr> <tr> <td>N</td> <td>4-23-08</td> <td>1555-08</td> <td>DRM</td> <td>JD</td> </tr> <tr> <td>M</td> <td>02-15-08</td> <td>6031-08</td> <td>JDS</td> <td>JD</td> </tr> <tr> <td>L</td> <td>11-26-07</td> <td>1135-07</td> <td>DRM</td> <td>JD</td> </tr> <tr> <td>K</td> <td>11-21-07</td> <td>6215-07</td> <td>DRM</td> <td>JD</td> </tr> </table>		REV.	DATE	ECO NO.	BY:	APPR	N	4-23-08	1555-08	DRM	JD	M	02-15-08	6031-08	JDS	JD	L	11-26-07	1135-07	DRM	JD	K	11-21-07	6215-07	DRM	JD	<p>NAME</p> <p>INSTALLATION INFORMATION</p> <p>SCALE: 1:1 SIZE NUMBER: 64-54XXXXXX CODE NO. 13669 SHT. 1 OF 1</p>	
REV.	DATE	ECO NO.	BY:	APPR																								
N	4-23-08	1555-08	DRM	JD																								
M	02-15-08	6031-08	JDS	JD																								
L	11-26-07	1135-07	DRM	JD																								
K	11-21-07	6215-07	DRM	JD																								
<p>SK-6803 REFERENCE DRAWING(S)</p>		<p>(DO NOT SCALE DRAWING)</p>																										