

74-2400 SERIES REGULATOR

SPRING LOADED, HAND OPERATED, POSITIVE SEAL DESIGN, PRESSURE REDUCING REGULATOR WITH METAL TO METAL SEALED DIAPHRAGM, 10 Ro. MICROINCH FINISH ON ALL WETTED SURFACES.

GENERAL SPECIFICATIONS:

INLET PRESSURE: SEE TABLE VI
 OUTLET PRESSURE: SEE TABLE II
 DESIGN PROOF PRESSURE: 150% OF RATED PRESSURE
 DESIGN BURST PRESSURE: 400% OF RATED PRESSURE
 OPERATING TEMPERATURE: SEE TABLE III
 LEAKAGE: INTERNAL: BUBBLE TIGHT
 EXTERNAL: 1×10^{-9} atm cc/sec. PER ASTM E449
 FLOW CAPACITY (Cv): SEE TABLE VI
 WEIGHT: APPROXIMATELY 2 LBS.

MATERIALS CONTACTING LINE MEDIA:

SEAT: SEE TABLE III
 BODY: SEE TABLE I
 DIAPHRAGM: SEE TABLE I
 REMAINING PARTS: SEE TABLE I

ASSEMBLY INFORMATION:

FOR ASSEMBLY OF THIS UNIT USE SPEC: A40030-01

KITS:

NONMETALLIC: (74-246KXX1X) (74-246VXX1X)
 389-3493 389-3490
 (74-246KXX2X)
 389-3489

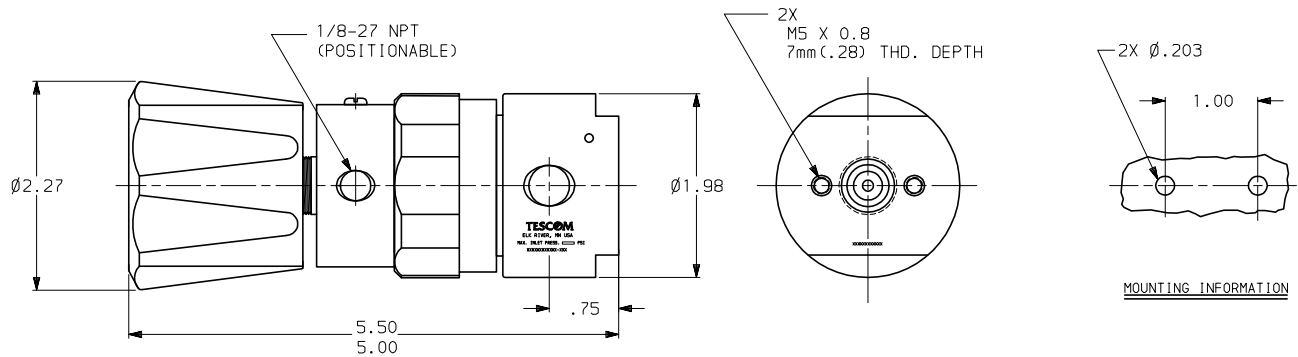
REPAIR: (74-246KXX1X) (74-246VXX1X)
 389-3494 389-3492
 (74-246KXX2X)
 389-3491

NOTES:

- REGULATOR INCORPORATES AN ADJUSTABLE STOP WHICH ALLOWS THE MAXIMUM OUTLET PRESSURE TO BE LIMITED TO ANY VALUE BETWEEN THE MAXIMUM RATED VALUE AND 50% OF THE MAXIMUM RATED VALUE.
- FITTINGS COMPATIBLE WITH VCR/VACUSEAL.
 VCR: REGISTERED TRADEMARKS OF CAJON CO.
 VACUSEAL: REGISTERED TRADEMARKS OF PARKER HANNIFIN CORP.

ALL DIMENSIONS REFERENCE

74-24XXXXXX



SERIES NUMBER
74-2462KA410

DASH NO.	BODY MATERIAL	DIAPHRAGM	STEM	SEAL
4	316L SST VAR ELECTROPOLISHED	316L SST	316 SST	316 SST
6	316L SST VAR	316L SST	316 SST	316 SST
INTERNAL EP (E5500-A CLEAN)				
B	316L SST VAR	316L SST	316 SST	316 SST
INTERNAL EP (E5500-A CLEAN) 5 Ro AVE. 7 Ro MAX.				

DASH NO.	OUTLET PRESSURE
0	0-30 PSI
1	0-60 PSI
2	0-100 PSI
3	0-150 PSI

DASH NO.	SEAT MATERIAL	OPERATING TEMPERATURE	OPERATING PRESSURE
K	PTFE	-40°F TO +200°F	600 & 3500 PSI
V	VESPEL	-40°F TO +350°F	3500 PSI ONLY

DASH NO./LTR	INLET & OUTLET PORT SIZE	"A" ±.06
A4	1/4 HPIC	---
T4	1/4 TUBE	3.00
T6	3/8	3.00
T8	1/2	3.00
RG	1/4 MALE, SWIVEL	4.50
RH	1/4 FEMALE, SWIVEL	4.50
RL	1/2 FEMALE, SWIVEL	4.75
RA	1/4 FIXED, MALE	3.51
RN	IN PORT: 1/4 MALE, SWIVEL OUT PORT: 1/4 FEMALE	4.50
RR	IN PORT: 1/4 FEMALE OUT PORT: 1/4 MALE SWIVEL	4.50
RK	1/2 MALE, SWIVEL	4.75
RD	1/4 MALE, SWIVEL	5.34
RM	1/4 MALE, SWIVEL (SHORT NUT)	3.70
RT	1/4 FEMALE, SWIVEL	3.70
RU	IN PORT: 1/4 MALE, SWIVEL OUT PORT: 1/4 FEMALE	3.70
RV	IN PORT: 1/4 FEMALE, SWIVEL OUT PORT: 1/4 MALE	3.70
C4	1/4 COMPRESSION FITTING	4.97
C6	3/8 COMPRESSION FITTING	5.99
C8	1/2 COMPRESSION FITTING	5.54

DASH NO.	GAUGE PORT TYPE	NUMBER OF GAUGE PORTS	GAUGE PORT LOCATION
0	NONE	0	SEE FIGURE A
1	1/4 HPIC-A	1	SEE FIGURE C
2	1/4 HPIC-A	2	SEE FIGURE B
3	1/4 HPIC-A	2	SEE FIGURE D
4	1/4 MALE, SWIVEL	2	SEE FIGURE D
5	1/4 MALE, SWIVEL	1	SEE FIGURE C
6	1/4 MALE, SWIVEL	2	SEE FIGURE B
7	1/4 FEMALE, SWIVEL	2	SEE FIGURE D
8	1/4 FEMALE, SWIVEL	1	SEE FIGURE C
9	1/4 FEMALE, SWIVEL	2	SEE FIGURE B
N	1/4 TUBE STUB	2	SEE FIGURE B
P	1/4 TUBE STUB	1	SEE FIGURE C
R	1/4 TUBE STUB	2	SEE FIGURE D
S	1/4 FIXED, MALE	2	SEE FIGURE B
T	1/4 FIXED, MALE	1	SEE FIGURE C
U	1/4 FIXED, MALE	2	SEE FIGURE D

DASH NO.	MAX. INLET PRESSURE	FLOW CAPACITY
1	3500 PSI	Cv = .06
2	600 PSI	Cv = .15

SCD: REFER TO SOURCE CONTROL TABLE CATALOG PRODUCTS

 HIGH PURITY CONTROLS DIVISION ELK RIVER, MN USA				MATERIAL: X
INFORMATION CONTAINED ON THIS DOCUMENT IS THE PROPERTY OF TESCOM CORPORATION. NO RIGHTS ARE CONVEYED NOR IS PERMISSION TO DISCLOSE TO OTHERS GIVEN.				FINISH: X
UNLESS OTHERWISE SPECIFIED: .0 ±.020 ANGLES: ±1° .00 ±.010 .000 ±.005 SURFACE ROUGHNESS: 100 CORNER & FILLET RADI: .005-.020 THREADS: CLASS 2 REMOVE ALL BURRS (X) KEY CHARACTERISTICS DRAWING MADE IN THIRD ANGLE PROJECTION (DO NOT SCALE DRAWING)				
AY	5-22-08	6088-08	DRM BJT	
AX	2-9-06	1031-06	DRM JD	
AW	10-3-05	1193-05	DRM TL	
AV	9-24-04	1174-04	DRM JD	
AU	10-1-03	1225-03	BBM JD	
AT	7-31-03	1165-03	BBM WR	
AS	4-7-03	128-03	DRM JD	
REV.	DATE	ECO NO.	BY:	APPR
REVISIONS				
REFERENCE DRAWING(S)				
DRAWN BY:		CHECKED BY:		APPROVED BY:
JAW 8-15-95		DRM 1-20-97		DL 1-28-97
NAME				
INSTALLATION INFORMATION				
SCALE: ---		SIZE NUMBER		74-24XXXXXX
CODE NO. 13669		SHT. 1 OF 1		