

74-3000 SERIES REGULATOR

SPRING LOADED, HAND OPERATED, PRESSURE REDUCING REGULATOR WITH METAL TO METAL SEALED DIAPHRAGM, NO INTERNAL THREADS IN THE FLOW STREAM, 10 Ra MICROINCH FINISH ON INTERNAL BODY SURFACES

GENERAL SPECIFICATIONS:

INLET PRESSURE: SEE TABLE VI
 OUTLET PRESSURE: SEE TABLE II
 DESIGN PROOF PRESSURE: 150% OF RATED PRESSURE
 DESIGN BURST PRESSURE: 400% OF RATED PRESSURE
 OPERATING TEMPERATURE: SEE TABLE III
 LEAKAGE: INTERNAL: BUBBLE TIGHT
EXTERNAL: <1 X 10⁻⁹ atm cc/sec. He
 FLOW CAPACITY (CV): SEE TABLE VI
 WEIGHT: APPROXIMATELY 3.2 LBS.

MATERIALS CONTACTING LINE MEDIA:

SEAT: SEE TABLE III
 BODY: SEE TABLE I
 DIAPHRAGM: HASTELLOY
 REMAINING PARTS: SEE TABLE VI

ASSEMBLY INFORMATION:

FOR ASSEMBLY OF THIS UNIT USE SPEC: A41441-01
 FOR 74-30AXXXXXX USE SPEC: A41441-09

KITS:

NONMETALLIC: (74-30XVXX1X) (74-30XKXX2X)
 NONE AVAILABLE NONE AVAILABLE
 (74-30XTXX3X)
 NONE AVAILABLE

REPAIR: (74-30XVXX1X) (74-30XKXX2X)
 389-3674 389-3675
 (74-30XTXX3X)
 389-3676

NOTES:

1. REGULATOR INCORPORATES AN ADJUSTABLE STOP WHICH ALLOWS THE MAXIMUM OUTLET PRESSURE TO BE LIMITED TO ANY VALUE BETWEEN THE MAXIMUM RATED VALUE AND 50% OF THE MAXIMUM RATED VALUE.

- 2. COMPRESSION FITTINGS ARE 15 Ra FINISH.
- 3. 2450 PSI MAX FOR 3/4 TUBES OR LARGER.
- 4. MATERIAL TO BE HASTELLOY OR EQUIVALENT PER ASTM B 574

ALL DIMENSIONS REFERENCE

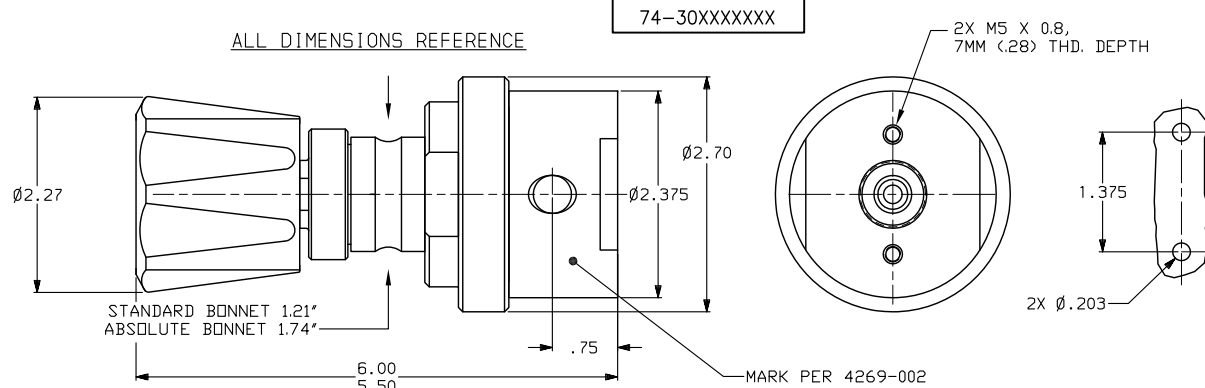


TABLE I	DASH NO.	BODY MATERIAL
6	316L SST VAR ELECTROPOLISH PER SEMI F19, UHP GRADE	
4	SAME AS "6" OPTION	

TABLE II	DASH NO.	OUTLET PRESSURE
A	28" VAC-15 PSIG	
0	0-30 PSI	
1	0-60 PSI	
2	0-100 PSI	
3	0-150 PSI	

TABLE III	DASH NO.	SEAT MATERIAL	OPERATING TEMPERATURE	OPERATING PRESSURE
V	VESPEL	-40°F TO +350°F	3500 PSI ONLY	300, 600 & 1000 PSI
K	PTFE	-40°F TO +160°F	300 & 600 PSI	
T	TEFLON PFA	-40°F TO +160°F	300 & 600 PSI	

TABLE V	DASH NO./LTR	INLET & OUTLET PORT SIZE	A ± .06	
			HPIC	WELD-TUBE
A4	1/4 (HPIC ONLY)			
T4	1/4 TUBE		N A	3.70
T6	3/8 TUBE		N A	3.70
AB	1/2			
TB	1/2 TUBE			3.70
T7	3/4 (2450 PSI INLET MAX.)			5.75
RA	1/4 FIXED, MALE			3.70
RH	1/4 FEMALE, SWIVEL			4.88
RN	IN: 1/4 MALE, SWIVEL OUT: 1/4 FEMALE, SWIVEL			4.88
RR	IN: 1/4 FEMALE, SWIVEL OUT: 1/4 MALE, SWIVEL			4.53
RK	1/2 MALE, SWIVEL			5.21
RL	1/2 FEMALE, SWIVEL			5.21
RV	IN PORT: 1/2 MALE, SWIVEL OUT PORT: 1/2 FEMALE SWIVEL			5.21
RW	1/2 FEMALE, SWIVEL			5.59
RZ	IN PORT: 1/2 FEMALE SWIVEL OUT PORT: 1/2 MALE, SWIVEL			5.21
SZ	IN PORT: 1/2 FEMALE SWIVEL OUT PORT: 1/2 MALE, SWIVEL			5.59
R9	IN PORT: 1/2 MALE, SWIVEL OUT PORT: 1/2 FEMALE SWIVEL			5.59
RC	3/4 FEMALE, SWIVEL (2450 PSI INLET MAX.)			6.07
RB	3/4 MALE, SWIVEL (2450 PSI INLET MAX.)			6.07
SG	1/4 MALE, SWIVEL			4.09
SH	1/4 FEMALE, SWIVEL			4.09
SN	IN: 1/4 MALE, SWIVEL OUT: 1/4 FEMALE, SWIVEL			4.09
SR	IN: 1/4 FEMALE, SWIVEL OUT: 1/4 MALE, SWIVEL			4.09
RU	1/2 MALE, SWIVEL			5.59
RT	1/4 FEMALE, SWIVEL			4.30
C4	1/4 COMPRESSION FITTING			5.36
C6	3/8 COMPRESSION FITTING			6.42
C7	3/4 COMPRESSION FITTING (2450 PSI INLET MAX.)			5.30
CB	1/2 COMPRESSION FITTING			6.00
SV	IN PORT: 1/2 MALE, SWIVEL OUT PORT: 1/2 FEMALE SWIVEL			5.59
UV	IN PORT: 1/2 MALE, SWIVEL OUT PORT: 1/2 FEMALE SWIVEL			4.75
RY	IN: 1/4 FEMALE, HIGH FLOW OUT: 1/4 MALE, FIXED			4.27
HN	IN: 1/4 MALE, HIGH FLOW OUT: 1/4 FEMALE, HIGH FLOW			4.09
HH	1/4 FEMALE, SWIVEL, HIGH FLOW			4.09

SERIES NUMBER
74-3063VRC11

TABLE VII	DASH NO.	GAUGE PORT OPTION		GAUGE PORT LOCATION
		GAUGE PORT TYPE	NUMBER OF GAUGE PORTS	
0	NONE	0	1	SEE FIGURE A
1	1/4 HPIC-A	1	2	SEE FIGURE C
2	1/4 HPIC-A	2	2	SEE FIGURE B
3	1/4 HPIC-A	2	2	SEE FIGURE D
4	1/4 MALE, SWIVEL	2	2	SEE FIGURE D
5	1/4 MALE, SWIVEL	1	2	SEE FIGURE C
6	1/4 MALE, SWIVEL	2	2	SEE FIGURE B
7	1/4 FEMALE, SWIVEL	2	2	SEE FIGURE D
8	1/4 FEMALE, SWIVEL	1	2	SEE FIGURE C
9	1/4 FEMALE, SWIVEL	2	2	SEE FIGURE B
N	1/4 TUBE STUB	2	2	SEE FIGURE C
P	1/4 TUBE STUB	2	2	SEE FIGURE D
S	1/4 FIXED, MALE	2	2	SEE FIGURE B
T	1/4 FIXED, MALE	1	2	SEE FIGURE C
U	1/4 FIXED, MALE	2	2	SEE FIGURE D

TABLE VI	DASH NO.	MAX. INLET PRESSURE	STEM	SEAL	FLOW CAPACITY
1	3500 PSI (2450 PSI)	316L SST	316 SST	Cv = .5	
2	1000 PSI	316L SST	316 SST	Cv = .5	
3	600 PSI	316L SST	316 SST	Cv = .5	
4	300 PSI	316L SST	316 SST	Cv = .5	
5	3500 PSI (2450 PSI)	316L SST	316 SST	Cv = .5	
6	1000 PSI	316L SST	316 SST	Cv = .5	
7	600 PSI	316L SST	316 SST	Cv = .5	
8	300 PSI-ABSOLUTE ONLY	316L SST	316 SST	Cv = .5	

SCD: REFER TO SOURCE CONTROL TABLE CATALOG PRODUCTS

TESCOM CORPORATION HIGH PURITY CONTROLS DIVISION ELK RIVER, MN USA		MATERIAL:
INFORMATION CONTAINED ON THIS DOCUMENT IS THE PROPERTY OF TESCOM CORPORATION. NO RIGHTS ARE CONVEYED NOR IS PERMISSION TO DISCLOSE TO OTHERS GIVEN.		FINISH:
UNLESS OTHERWISE SPECIFIED: .0 ± .020 ANGLES: ±1° .00 ± .010 .000 ± .005 SURFACE ROUGHNESS: 100/ CORNER & FILLET RADII: .005-.020 THREADS: CLASS 2 REMOVE ALL BURRS		DRAWN BY: _____ CHECKED BY: _____ APPROVED BY: _____ CAG 9-22-97 TWL 9-23-97 TWL 9-23-97 NAME INSTALLATION INFORMATION SCALE: NONE SIZE NUMBER CODE NO. 13669 C 74-30XXXXXX SHT. 1 OF 1
REVISIONS REFERENCE DRAWING(S)		
(KEY CHARACTERISTICS) DRAWING MADE IN THIRD ANGLE PROJECTION (DO NOT SCALE DRAWING)		