

74-3800 SERIES REGULATOR

SPRING LOADED, HAND OPERATED, POSITIVE SEAL DESIGN, PRESSURE REDUCING REGULATOR WITH METAL TO METAL SEALED DIAPHRAGM, 10 Ra MICROINCH FINISH ON ALL WETTED SURFACES.

GENERAL SPECIFICATIONS:

INLET PRESSURE: SEE TABLE VI
 OUTLET PRESSURE: SEE TABLE II
 DESIGN PROOF PRESSURE: 150% OF RATED PRESSURE
 DESIGN BURST PRESSURE: 400% OF RATED PRESSURE
 OPERATING TEMPERATURE: SEE TABLE III
 LEAKAGE: INTERNAL: BUBBLE TIGHT
EXTERNAL: <1 X 10⁻⁹ atm cc/sec. He
 FLOW CAPACITY (Cv): SEE TABLE VI
 WEIGHT: APPROXIMATELY 3.2 LBS.

MATERIALS CONTACTING LINE MEDIA:

SEAT: SEE TABLE III
 BODY: SEE TABLE I
 DIAPHRAGM: SEE TABLE VI
 REMAINING PARTS: SEE TABLE VI

ASSEMBLY INFORMATION:

FOR ASSEMBLY OF THIS UNIT USE SPEC: A41416-02

KITS:

NONMETALLIC:

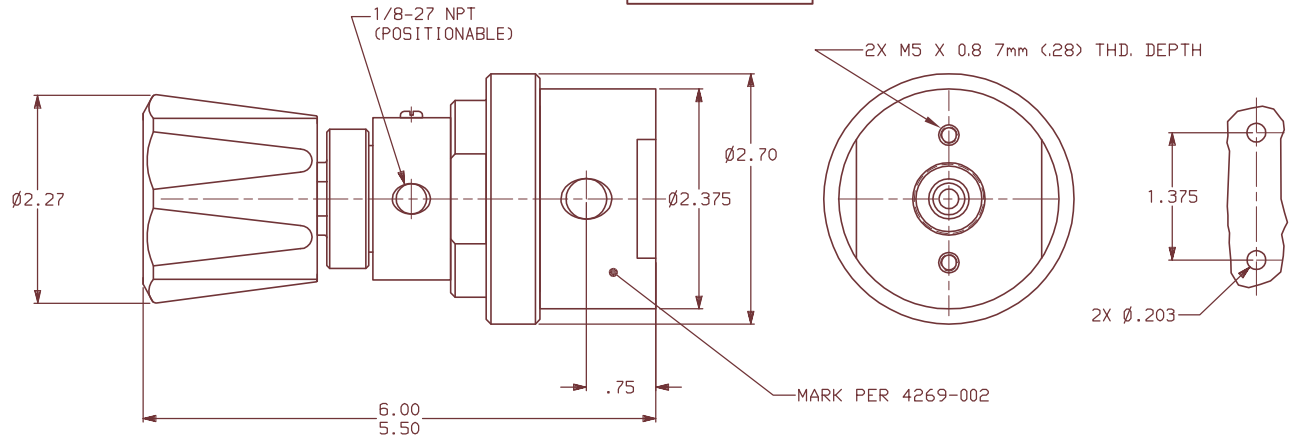
REPAIR:

NOTES:

- REGULATOR INCORPORATES AN ADJUSTABLE STOP WHICH ALLOWS THE MAXIMUM OUTLET PRESSURE TO BE LIMITED TO ANY VALUE BETWEEN THE MAXIMUM RATED VALUE AND 50% OF THE MAXIMUM RATED VALUE.
- COMPRESSION FITTINGS ARE 15 Ra FINISH.
- NOT AVAILABLE WITH 3/4 TUBES OR LARGER.
- END TO END DIMENSION DOES NOT ALLOW FOR ZERO CLEARANCE ON FITTING.
- MATERIAL TO BE HASTELLOY OR EQUIVALENT PER ASTM B 574

ALL DIMENSIONS REFERENCE

74-38XXXXXX



SERIES NUMBER
74-3862KA820

TABLE I		BODY MATERIAL	
DASH NO.	6	316L SST VAR	ELECTROPOLISH PER SEMI F19, UHP GRADE

TABLE II		OUTLET PRESSURE	
DASH NO.	0	0-30 PSI	
DASH NO.	1	0-60 PSI	
DASH NO.	2	0-100 PSI	
DASH NO.	3	0-150 PSI	
DASH NO.	7	0-130 PSI	

TABLE III				SEAT MATERIAL		OPERATING TEMPERATURE		OPERATING PRESSURE	
DASH NO.	V	VESPEL	-40°F TO +350°F	3500 PSI ONLY					
DASH NO.	K	PCTFE	-40°F TO +160°F	600 & 1000 PSI					
DASH NO.	T	TEFLON PFA	-40°F TO +160°F	600 PSI ONLY					

TABLE VII				GAUGE PORT OPTION	
DASH NO.	GAUGE PORT TYPE	NUMBER OF GAUGE PORTS	GAUGE PORT LOCATION		
0	NONE	0	SEE FIGURE A		
1	1/4 HPIC-A	1	SEE FIGURE C		
2	1/4 HPIC-A	2	SEE FIGURE B		
3	1/4 HPIC-A	2	SEE FIGURE D		
4	1/4 MALE, SWIVEL	2	SEE FIGURE D		
5	1/4 MALE, SWIVEL	1	SEE FIGURE C		
6	1/4 MALE, SWIVEL	2	SEE FIGURE B		
7	1/4 FEMALE, SWIVEL	2	SEE FIGURE D		
8	1/4 FEMALE, SWIVEL	1	SEE FIGURE C		
9	1/4 FEMALE, SWIVEL	2	SEE FIGURE B		
N	1/4 TUBE STUB	2	SEE FIGURE B		
P	1/4 TUBE STUB	1	SEE FIGURE C		
R	1/4 TUBE STUB	2	SEE FIGURE D		
S	1/4 FIXED MALE	2	SEE FIGURE B		
T	1/4 FIXED MALE	1	SEE FIGURE C		
U	1/4 FIXED MALE	2	SEE FIGURE D		

TABLE VI					
DASH NO.	MAX. INLET PRESSURE	DIAPHRAGM WELDMENT	ANCHOR	REMAINING PARTS MAT'L	FLOW CAPACITY
1	3500 PSI	316L SST	316 SST	316 SST	Cv = .5
2	1000 PSI	316L SST	316 SST	316 SST	Cv = .5
3	600 PSI	316L SST	316 SST	316 SST	Cv = .5
4	1000 PSI	HASTELLOY	HASTELLOY	316 SST	Cv = .5
5	3500 PSI	HASTELLOY	HASTELLOY	316 SST	Cv = .5
6	600 PSI	HASTELLOY	HASTELLOY	316 SST	Cv = .5

SCD: REFER TO SOURCE CONTROL TABLE
CATALOG PRODUCTS

BK	9-5-12	2790-12	DRM	BJT
BJ	12-3-10	2969-10	DRM	BJT
BH	10-7-10	5641-10	DRM	BJT
BG	5-26-10	5359-10	CMB	BJT
BF	01-20-10	5035-10	MKS	BJT
BE	3-5-08	5035-10	DRM	LRR
BD	01-18-08	6201-07	JDS	JD
BC	07-18-07	6110-07	JDS	JD
BB	10-03-05	1193-05	DRM	TL
BA	08-03-05	1120-05	DRM	LRR
REV.	DATE	ECO NO.	BY:	APPR
REVISIONS				
REFERENCE DRAWING(S)				

TSCOM CORPORATION
 HIGH PURITY CONTROLS DIVISION
 ELK RIVER, MN USA

INFORMATION CONTAINED ON THIS DOCUMENT IS THE PROPERTY OF TSCOM CORPORATION. NO RIGHTS ARE CONVEYED NOR IS PERMISSION TO DISCLOSE TO OTHERS GIVEN.

UNLESS OTHERWISE SPECIFIED:
 .0 ± .020 ANGLES: ±1°
 .00 ± .010
 .000 ± .005
 SURFACE ROUGHNESS: 100
 CORNER & FILLET RADI: .005-.020
 THREADS: CLASS 2
 REMOVE ALL BURRS
 KEY CHARACTERISTICS
 DRAWING MADE IN THIRD ANGLE PROJECTION
 (DO NOT SCALE DRAWING)

MATERIAL:		
X		
FINISH:		
X		
DRAWN BY:	CHECKED BY:	APPROVED BY:
TWL 7-14-95	DRM 7-17-95	DL 7-24-95
NAME		
INSTALLATION INFORMATION		
SCALE: 1:1	SIZE	NUMBER
CODE NO. 13669	C	74-38XXXXXX
SHT. 1		OF 1