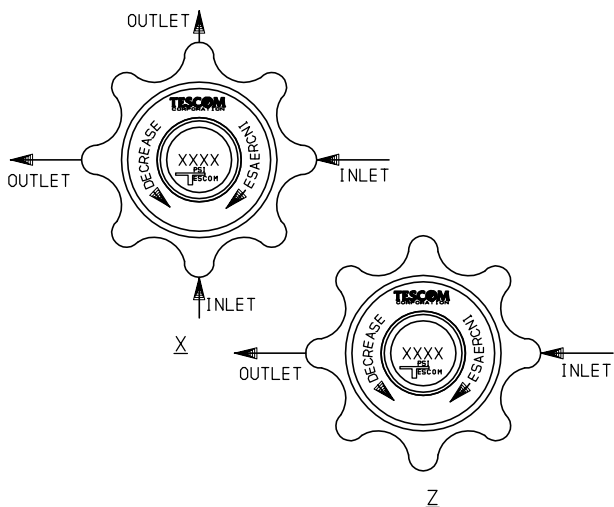


ALL DIMENSIONS REFERENCE

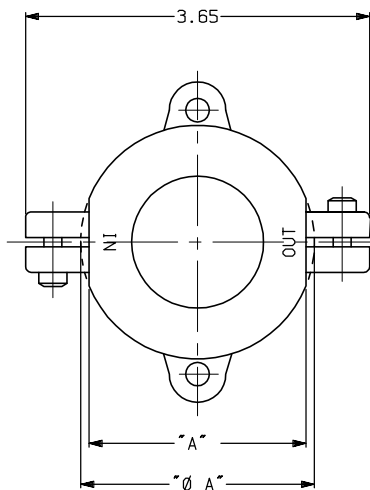
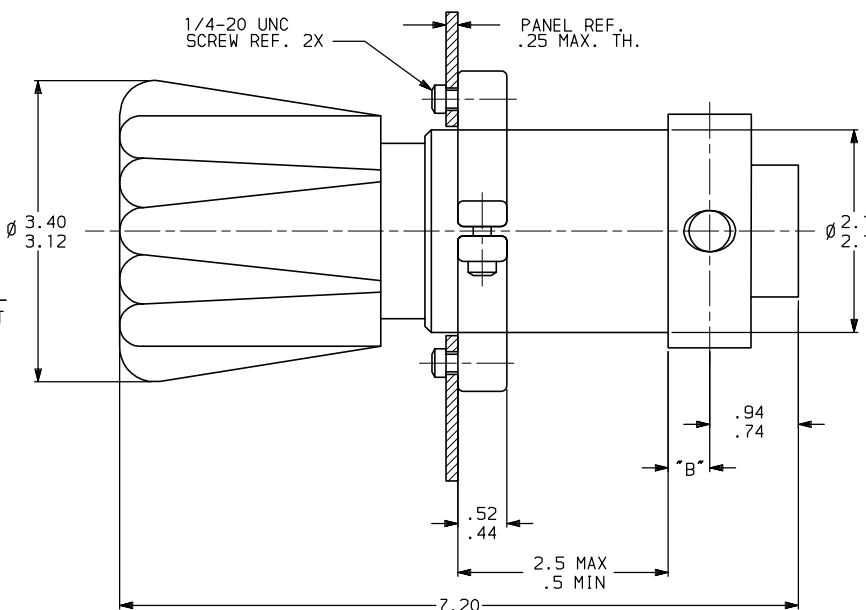
26-10XX-XX



PORTING CONFIGURATION

26-1000 SERIES REGULATOR

SPRING LOADED, HAND OPERATED, PRESSURE REDUCING, WITH INTEGRAL SELF RELIEVING VENT VALVE.



INLET & OUTLET PORT	"A"	"B"
1/4 EXCEPT NPT	2.30	.44
1/4 & 3/8 NPT	Ø2.48	.44

GENERAL SPECIFICATIONS:

INLET PRESSURE: SEE TABLE I
 OUTLET PRESSURE: SEE TABLE II
 DESIGN PROOF PRESSURE: 150% OF RATED PRESSURE
 PRESSURE RATING: PER CRITERIA OF ANSI/ASME B31.3
 OPERATING TEMPERATURE: -40°F TO +165°F
 LEAKAGE: BUBBLE TIGHT
 FLOW CAPACITY (C.V.): .06

WEIGHT: APPROXIMATELY 5 1/2 LBS
 MAX. OPERATING TORQUE: 45 IN.-LBS.

MATERIALS CONTACTING LINE MEDIA:

SEAT, MAIN VALVE: VESPEL
 SEAT, VENT: CTFE
 O-RING: BUNA-N
 BACK-UP RING: TEFLON
 FILTER: 26-101X-XX & 26-103X-XX BRONZE
 26-102X-XX 300 SERIES SST
 BODY: SEE TABLE I
 REMAINING PARTS: 300 SERIES SST

ASSEMBLY INFORMATION:

FOR ASSEMBLY OF THIS UNIT USE SPEC: A4984-01

KITS:

NONMETALLIC: 389-1016 -- 26-1021-XX
 389-1005 -- 26-10X2-XX & 26-10X3-XX
 389-1017 -- 26-10X4-XX
 389-1002 -- 26-10X5-XX THRU 26-10X7-XX

REPAIR: 38-1000-26

DASH NO.	BODY MATERIAL	MAX. INLET PRESSURE
1	BRASS	6000 PSI
2	303 SST	10000 PSI
3	2024-T351 ALUM.	6000 PSI
6	316 SST	10000 PSI

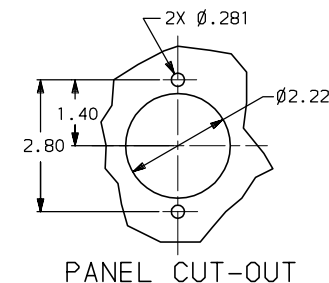
DASH NO.	OUTLET PRESSURE
1	200-10000 PSI (SST BODY ONLY)
2	50-6000 PSI
3	25-4000 PSI
4	15-2500 PSI
5	10-1500 PSI
6	5-800 PSI
7	5-500 PSI

DASH NO./LTR	INLET & OUTLET PORT SIZE
4	1/4
6	3/8 (NPT ONLY)

DASH NO.	IN & OUT PORT TYPE	CONFIGURATION	
		1/4	3/8
1	SAE	X	
2	NPT	Z	Z
3	MS33649	X	
4	AMINCO	Z	Z
6	AUTOCLAVE SLIM-LINE	Z	Z

SERIES NUMBER

26-1012-24



PANEL CUT-OUT

NOTES:

- PRESSURE AT WHICH REGULATOR IS USED MUST BE COMPATIBLE WITH THE PRESSURE RATING OF THE REGULATOR AND PORT SIZE/TYPE PROVIDED.

REV.	DATE	ECO NO.	BY	APPR
AG	3-8-00	742-00	EWN	MKS
AF	4-1-99	660-99	JLS	MKS
AE	3-3-99	507-99	SKO	MKS
AD	2-5-96	39-96	SJW	MKS
REV.	DATE	ECO NO.	BY	APPR

TESCOM CORPORATION
 INDUSTRIAL CONTROLS DIVISION
 ELK RIVER, MN USA

INFORMATION CONTAINED ON THIS DOCUMENT IS THE PROPERTY OF TESCOM CORPORATION. NO RIGHTS ARE CONVEYED NOR IS PERMISSION TO DISCLOSE TO OTHERS GIVEN.

UNLESS OTHERWISE SPECIFIED:
 .0 ± .020 ANGLES: ±1°
 .00 ± .010
 .000 ± .005
 SURFACE ROUGHNESS: 100/
 CORNER & FILLET RADI: .005-.020
 THREADS: CLASS 2
 REMOVE ALL BURRS
 MFG. SPEC. 60301

DRAWING MADE IN THIRD ANGLE PROJECTION
 (DO NOT SCALE DRAWING)

MATERIAL:

FINISH:

DRAWN BY: SJW	CHECKED BY: MKS	APPROVED BY: MKS
2-5-96	2-6-96	2-6-96

NAME: **INSTALLATION INFO.**

SCALE: 1:1	SIZE: C	NUMBER: 26-10XX-XX
CODE NO. 13669	SHT. 1	OF 1