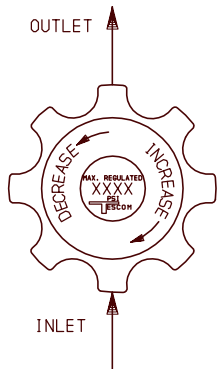


ALL DIMENSIONS REFERENCE

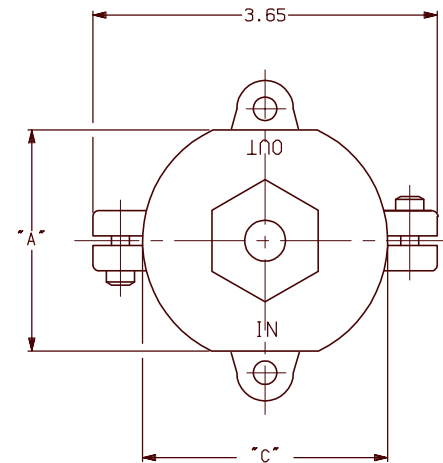
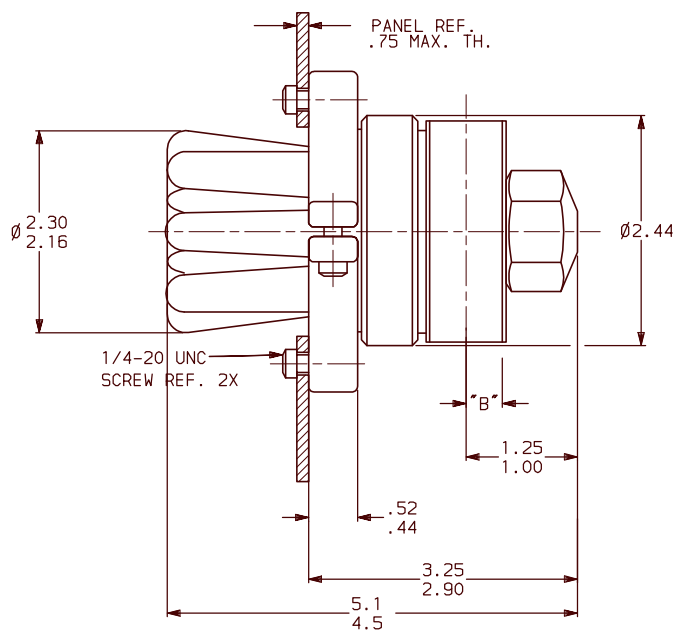
26-15XX-XX



PORTING CONFIGURATION

26-1500 SERIES REGULATOR

SPRING LOADED, HAND OPERATED, PRESSURE REDUCING



INLET & OUTLET PORT	"A"	"B"	"C"
1/4	2.42	.42	Ø2.60
3/8	2.42	.42	Ø2.60
1/2	3.16	.53	Ø3.33

GENERAL SPECIFICATIONS:

INLET PRESSURE: SEE TABLE I  
 OUTLET PRESSURE: SEE TABLE II  
 DESIGN PROOF PRESSURE: 150% OF RATED PRESSURE  
 PRESSURE RATING: PER CRITERIA OF ANSI/ASME B31.3  
 OPERATING TEMPERATURE: -40°F TO +165°F  
 LEAKAGE: BUBBLE TIGHT  
 FLOW CAPACITY (Cv): .08  
 WEIGHT: APPROXIMATELY 3 LBS.  
 MAX. OPERATING TORQUE: 25 IN.-LBS.

MATERIALS CONTACTING LINE MEDIA:

SEAT, MAIN VALVE: CTFE  
 O-RING: BUNA-N  
 DIAPHRAGM: BUNA-N  
 FILTER: 316 SST  
 BODY: SEE TABLE I  
 REMAINING PARTS: 300 SERIES SST

ASSEMBLY INFORMATION:

FOR ASSEMBLY OF THIS UNIT USE SPEC: A60306-01

NOTES:

- PRESSURE AT WHICH REGULATOR IS USED MUST BE COMPATIBLE WITH THE PRESSURE RATING OF THE REGULATOR AND PORT SIZE/TYPE PROVIDED.

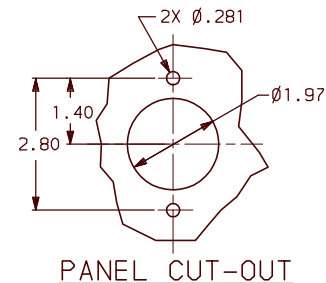
SERIES NUMBER  
 26-1562-24

TABLE I	DASH NO.	BODY MATERIAL	MAX. INLET PRESSURE
1	1	BRASS	5000 PSI
3	3	2024-T351 ALUM	5000 PSI
6	6	316 SST	6000 PSI

TABLE II	DASH NO.	OUTLET PRESSURE
0	0	0-50 PSI
1	1	0-150 PSI
2	2	0-250 PSI

TABLE IV	DASH NO./L/TR	INLET & OUTLET PORT SIZE
4	4	1/4
6	6	3/8
8	8	1/2 (SST BODY ONLY)

TABLE III	DASH NO.	IN & OUT PORT TYPE
1	1	SAE
2	2	NPT
3	3	M533649



PANEL CUT-OUT

REV.	DATE	ECO NO.	BY:	APPR
AC	3-20-04	1169-04	JLS	DP
AB	12-1-02	1312-02	JLS	MKS
AA	8-12-96	780-96	SWJ	JH
Y	2-29-96	623-96	JLS	MKS
W	11-10-95	885-95	SWJ	JH
V	10-4-95	240-95	SWJ	JH

**TESCOM CORPORATION**  
 INDUSTRIAL CONTROLS DIVISION  
 ELK RIVER, MN USA

INFORMATION CONTAINED ON THIS DOCUMENT IS THE PROPERTY OF TESCOM CORPORATION. NO RIGHTS ARE CONVEYED NOR IS PERMISSION TO DISCLOSE TO OTHERS GIVEN.

UNLESS OTHERWISE SPECIFIED:  
 .0 ± .020 ANGLES: ±1°  
 .00 ± .010  
 .000 ± .005  
 SURFACE ROUGHNESS: 100/  
 CORNER & FILLET RADI: .005-.020  
 THREADS: CLASS 2  
 REMOVE ALL BURRS

REV. DATE ECO NO. BY: APPR

REVISIONS

REFERENCE DRAWING(S)

DRAWING MADE IN THIRD ANGLE PROJECTION  
 (DO NOT SCALE DRAWING)

MATERIAL: X

FINISH: X

DRAWN BY: SWJ	CHECKED BY: JH	APPROVED BY: JH
10-4-95	10-6-95	10-6-95

NAME: **INSTALLATION INFO.**

SCALE: 1:1	SIZE: C	NUMBER: 26-15XX-XX
CODE NO. 13669	SHT. 1	OF 1