

PORTING CONFIGURATION

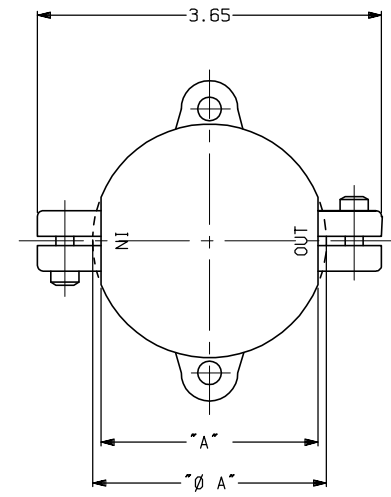
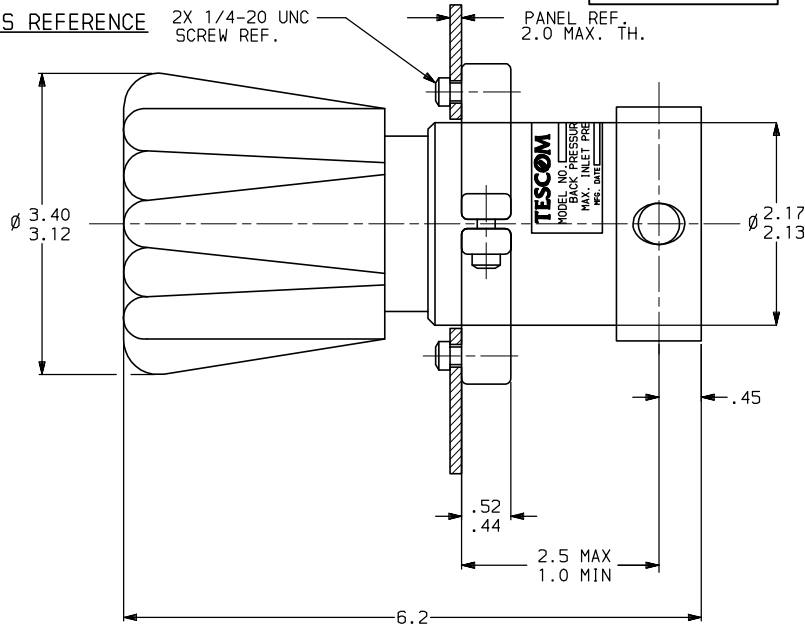
26-1700 SERIES REGULATOR

SPRING LOADED, HAND OPERATED, BACK PRESSURE REGULATOR.

ALL DIMENSIONS REFERENCE

2X 1/4-20 UNC
SCREW REF.

PANEL REF.
2.0 MAX. TH.



INLET & OUTLET PORT	"A"
1/4 EXCEPT NPT	2.30
1/4 & 3/8 NPT	Ø2.48
3/8 AMINCO & SLIM-LINE	3.08
1/2 NPT	Ø3.33

GENERAL SPECIFICATIONS:

INLET PRESSURE: SEE TABLE II
 DESIGN PROOF PRESSURE: 150% OF RATED PRESSURE
 PRESSURE RATING: PER CRITERIA OF ANSI/ASME B31.3
 OPERATING TEMPERATURE: -65°F TO +165°F
 LEAKAGE: BUBBLE TIGHT
 FLOW CAPACITY (Cv): .10 (26-17X1 THRU 26-17X4)
.14 (26-17X5 THRU 26-17X7)
 WEIGHT: APPROXIMATELY 5 LBS
 MAX. OPERATING TORQUE: 40 IN.-LBS.

MATERIALS CONTACTING LINE MEDIA:

SEAT, MAIN VALVE: CTFE (26-17X1 THRU 26-17X4)
TEFLON (26-17X5 THRU 26-17X7)
 SEAL: CTFE
 O-RING: BUNA-N
 BACK-UP RING: TEFLON
 BODY: SEE TABLE I
 REMAINING PARTS: SEE TABLE I

ASSEMBLY INFORMATION:

FOR ASSEMBLY OF THIS UNIT USE SPEC: A7181-02

NOTES:

1. PRESSURE AT WHICH REGULATOR IS USED MUST BE COMPATIBLE WITH THE PRESSURE RATING OF THE REGULATOR AND PORT SIZE/TYPE PROVIDED.

SERIES NUMBER

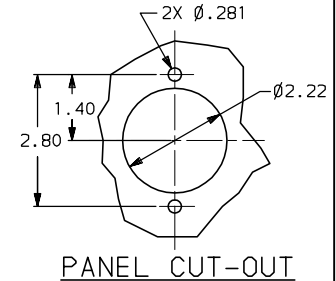
26-1762-24

TABLE I	DASH NO.	BODY MATERIAL	REMAINING PARTS
	6	316 SST	300 SERIES SST

TABLE II	DASH NO.	INLET PRESSURE
	1	200-10000 PSI
	2	50-6000 PSI
	3	25-4000 PSI
	4	15-2500 PSI
	5	10-1500 PSI
	6	5-800 PSI
	7	5-500 PSI

TABLE IV	DASH NO./LTR	INLET & OUTLET PORT SIZE
	2	1/8
	4	1/4
	6	3/8
	8	1/2 (AMINCO, SLIMLINE & NPT ONLY)

TABLE III	DASH NO.	IN & OUT PORT TYPE
	1	SAE
	2	NPT
	3	MS33649
	4	AMINCO
	6	AUTOCLAVE SLIM-LINE



REV.	DATE	ECO NO.	BY:	APPR
AL	3-7-03	1194-03	SKO	MKS
AK	10-15-02	1158-02	JLS	MKS
AJ	7-23-02	2-02	EWN	DP

TESCOM CORPORATION
 INDUSTRIAL CONTROLS DIVISION
 ELK RIVER, MN USA

INFORMATION CONTAINED ON THIS DOCUMENT IS THE PROPERTY OF TESCOM CORPORATION. NO RIGHTS ARE CONVEYED NOR IS PERMISSION TO DISCLOSE TO OTHERS GIVEN.

UNLESS OTHERWISE SPECIFIED:
 .0 ± .020 ANGLES: ±1°
 .00 ± .010
 .000 ± .005
 SURFACE ROUGHNESS: 100/
 CORNER & FILLET RADI: .005-.020
 THREADS: CLASS 2
 REMOVE ALL BURRS
 MFG. SPEC. 00301

DRAWING MADE IN THIRD ANGLE PROJECTION
 (DO NOT SCALE DRAWING)

MATERIAL:

FINISH:

DRAWN BY:	CHECKED BY:	APPROVED BY:
JLS 10-2-91	JLS 10-21-91	JLS 10-2-91

NAME: **INSTALLATION INFO.**

SCALE: 1:1	SIZE NUMBER	26-17XX-XX
CODE NO. 13669	SHT.	1 OF 1