

26-1700 SERIES REGULATOR
 SPRING LOADED, HAND OPERATED, BACK PRESSURE REGULATOR.

MODIFICATION FEATURES:

- SCD: TECHMATION
- AIR ACTUATED
- ORIFICE: ϕ .196
- BALANCED VALVE DESIGN
- BODY, SENSOR, SENSOR BACK UP & VALVE STEM, RETAINER SEAT & RETAINER SPRING: J15 316 SST CUSTOMER SUPPLIED MATERIAL
- AIRLOAD ADAPTOR CAP: 316 SST
- REMAINING TRIM: 316 SST
- MAIN VALVE SPRING: ELGILOY
- O-RINGS: BUNA-N 90 DUROMETER
- SEAT: VESPEL SP1
- INLET PRESSURE: 15,000 PSI
- PORTING: 9/16 HIGH PRESSURE IN & OUT
- ϕ 4.0 BODY WITH MOUNTING HOLES ON SIDE

GENERAL SPECIFICATIONS:

- INLET PRESSURE: SEE TABLE II
- DESIGN PROOF PRESSURE: 150% OF RATED PRESSURE
- PRESSURE RATING: PER CRITERIA OF ANSI/ASME B31.3
- OPERATING TEMPERATURE: -40°F TO +185°F
- LEAKAGE: BUBBLE TIGHT
- FLOW CAPACITY (Cv): .60
- WEIGHT: APPROXIMATELY 5 LBS
- MAX. OPERATING TORQUE: 40 IN.-LBS.

MATERIALS CONTACTING LINE MEDIA:

- SEAT, MAIN VALVE: VESPEL SP1
- O-RING: BUNA-N 90 DURO
- BACK-UP RING: PTFE/PCTFE
- BODY: SEE TABLE I
- REMAINING PARTS: 316L SST & ELGILOY

ASSEMBLY INFORMATION:

FOR ASSEMBLY OF THIS UNIT USE SPEC, SHEET 2 OF 2

SERIES NUMBER: 26-17
 MODIFICATION NUMBER: J0-49
 AIR ACTUATED: 799A

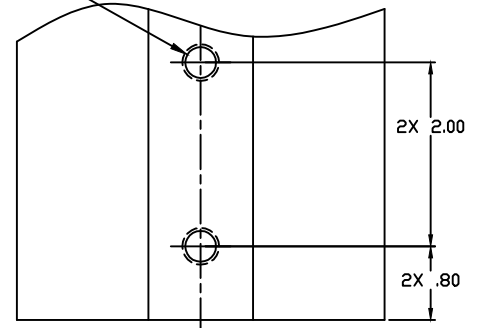
TABLE I	DASH NO.	BODY MATERIAL
	J	J15 316 SST

TABLE II	DASH NO.	INLET PRESSURE
	0	300-15,000 PSI

TABLE IV	DASH NO./LTR	INLET & OUTLET PORT SIZE
	9	9/16

TABLE III	DASH NO.	INLET & OUTLET PORT TYPE
	4	HIGH PRESSURE (AMINCO)

4X ϕ .335 ∇ .61
 ∇ ϕ .40 X 90°
 3/8-24 UNF THD
 .50 MIN. FULL THD
 2 ON OPPOSITE SIDE



SCD: TECHMATION

NOTES:

1. PRESSURE AT WHICH REGULATOR IS USED MUST BE COMPATIBLE WITH THE PRESSURE RATING OF THE REGULATOR AND PORT SIZE/TYPE PROVIDED.

REV.	DATE	ECO NO.	BY	APPR
AD	11-6-15	51363-15	JJ	WRB
AC	9-22-15	51148-15	EWN	WRB
AB	7-7-15	50852-13	RC	WRB
AA	9-29-14	13234-14	RAG	TWL

TESCOM CORPORATION
 INDUSTRIAL CONTROLS DIVISION
 BLK RIVER, MN USA

INFORMATION CONTAINED ON THIS DOCUMENT IS THE PROPERTY OF TESCOM CORPORATION. NO RIGHTS ARE CONVEYED NOR IS PERMISSION TO DISCLOSE TO OTHERS GIVEN.

UNLESS OTHERWISE SPECIFIED:
 D ± .020 ANGLE: ±1°
 .20 ± .010
 .000 ± .005
 SURFACE ROUGHNESS: 100/
 CORNER & FILLET RADII: .005-.020
 THREADS: CLASS 2
 REMOVE ALL BURRS
 MFG. SPEC. 80301

DRAWING MADE IN THIRD ANGLE PROJECTION (DO NOT SCALE DRAWING)

MATERIAL: \times		
FINISH: \times		
DRAWN BY: RAG 8-27-14	CHECKED BY: TWL 10-1-14	APPROVED BY: TWL 10-1-14
NAME: INSTALLATION INFO.		
SCALE: 1:1	SIZE: C	NUMBER: 26-17XX-XX-799A
CODE NO. 13669	SHT. 1	OF 2