

26-1700 SERIES REGULATOR

SPRING LOADED, HAND OPERATED, BACK PRESSURE REGULATOR.

MODIFICATION FEATURES:

- SCD: TECHMATION
- ORIFICE: ϕ .196
- BALANCED VALVE DESIGN
- BODY, SENSOR, SENSOR BACK UP, VALVE STEM, SEAT RETAINER & SPRING RETAINER:
JIS 316 SST CUSTOMER SUPPLIED MATERIAL

- BONNET: 316 SST
- REMAINING TRIM: 316 SST
- MAIN VALVE SPRING: ELGILOY
- O-RINGS: BUNA-N 90 DUROMETER
- SEAT: VESPEL SP1
- INLET PRESSURE: 15,000 PSI
- PORTING: 9/16 HIGH PRESSURE IN & OUT
- ϕ 4.0 BODY WITH MOUNTING HOLES ON SIDE

GENERAL SPECIFICATIONS:

- INLET PRESSURE: SEE TABLE II
- DESIGN PROOF PRESSURE: 150% OF RATED PRESSURE
- PRESSURE RATING: PER CRITERIA OF ANSI/ASME B31.3
- OPERATING TEMPERATURE: -40°F TO $+185^{\circ}\text{F}$
- LEAKAGE: BUBBLE TIGHT
- FLOW CAPACITY (CV): .60
- WEIGHT: APPROXIMATELY 5 LBS
- MAX. OPERATING TORQUE: 40 IN.-LBS.

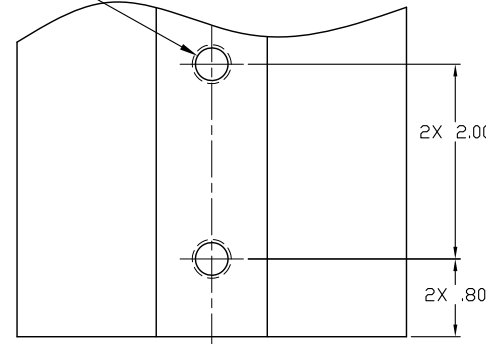
MATERIALS CONTACTING LINE MEDIA:

- SEAT, MAIN VALVE: VESPEL SP1
- O-RING: BUNA-N 90 DURO
- BACK-UP RING: TEFLON/CTFE
- BODY: SEE TABLE I
- REMAINING PARTS: 316L SST & ELGILOY

ASSEMBLY INFORMATION:

FOR ASSEMBLY OF THIS UNIT USE SPEC: SHEET 2 OF 2

4X ϕ .335 ∇ .61
 \checkmark ϕ .40 X 90°
 3/8-24 UNF THD
 .50 MIN. FULL THD
 2 ON OPPOSITE SIDE



SCD: TECHMATION

SERIES NUMBER: 26-17J0-49-799
 MODIFICATION NUMBER: 799

TABLE I	DASH NO.	BODY MATERIAL
	J	JIS 316 SST

TABLE IV	DASH NO./LTR	INLET & OUTLET PORT SIZE
	9	9/16

TABLE II	DASH NO.	INLET PRESSURE
	0	300-15,000 PSI

TABLE III	DASH NO.	INLET & OUTLET PORT TYPE
	4	HIGH PRESSURE (AMINCO)

NOTES:

- PRESSURE AT WHICH REGULATOR IS USED MUST BE COMPATIBLE WITH THE PRESSURE RATING OF THE REGULATOR AND PORT SIZE/TYPE PROVIDED.

REV.	DATE	ECO NO.	BY	APPR
AA	7-13-15	3800-15	RAG	
REVISIONS				
REFERENCE DRAWING(S)				

TESCOM CORPORATION
 INDUSTRIAL CONTROLS DIVISION
 ELK RIVER, MN USA

INFORMATION CONTAINED ON THIS DOCUMENT IS THE PROPERTY OF TESCOM CORPORATION. NO RIGHTS ARE CONVEYED NOR IS PERMISSION TO DISCLOSE TO OTHERS GIVEN.

UNLESS OTHERWISE SPECIFIED:
 .0 \pm .020 ANGLES: \pm 1°
 .00 \pm .010
 .000 \pm .005
 SURFACE ROUGHNESS: 100/
 CORNER & FILLET RADII: .005-.020
 THREADS: CLASS 2
 REMOVE ALL BURRS
 MFG. SPEC. 60301

DRAWING MADE IN THIRD ANGLE PROJECTION (DO NOT SCALE DRAWING)

MATERIAL: \times

FINISH: \times

DRAWN BY:	CHECKED BY:	APPROVED BY:
RAG	7-13-15	

NAME: **INSTALLATION INFO.**

SCALE: 1:1	SIZE: C	NUMBER: 26-17XX-XX-799
CODE NO. 13669	SHT. 1	OF 2