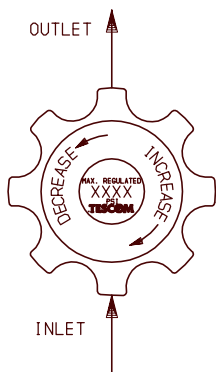


ALL DIMENSIONS REFERENCE

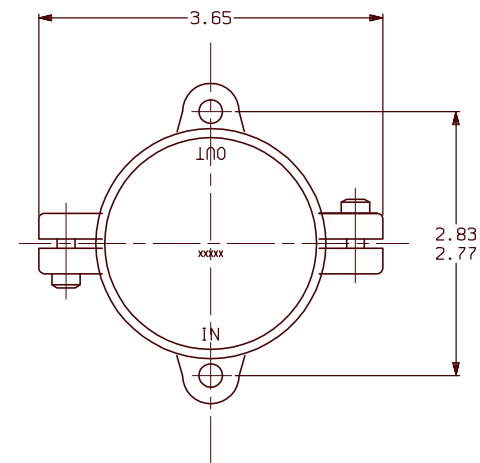
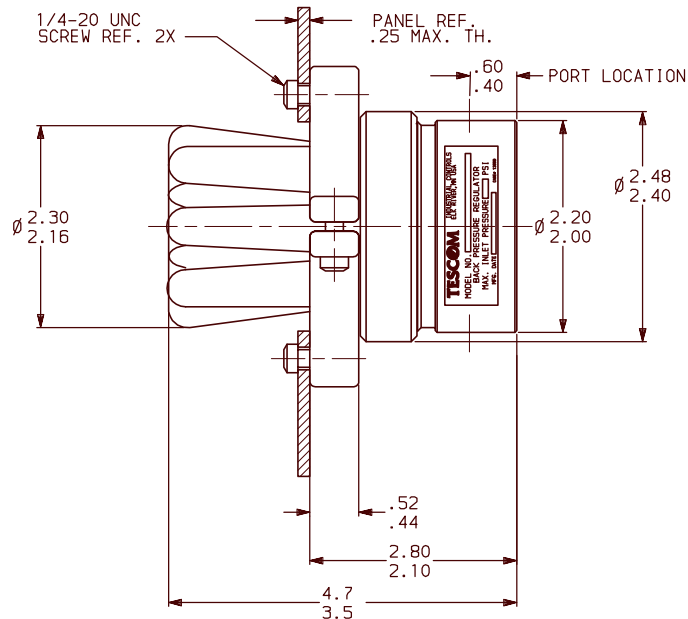
26-23XX-XX



PORTING CONFIGURATION

26-2300 SERIES REGULATOR

SPRING LOADED, HAND OPERATED, BACK PRESSURE REG.



GENERAL SPECIFICATIONS:

INLET PRESSURE: SEE TABLE II  
 DESIGN PROOF PRESSURE: 150% OF RATED PRESSURE  
 PRESSURE RATING: PER CRITERIA OF ANSI/ASME B31.3  
 OPERATING TEMPERATURE: -65°F TO +165°F  
 LEAKAGE: BUBBLE TIGHT  
 FLOW CAPACITY (C.V.): 60  
 WEIGHT: APPROXIMATELY 2.25 LBS.  
 MAX. OPERATING TORQUE: 25 IN.-LBS.

MATERIALS CONTACTING LINE MEDIA:

SEAT, MAIN VALVE: TEFLON  
 SEALS: TEFLON  
 O-RING: BUNA-N  
 DIAPHRAGM: BUNA-N  
 BODY: SEE TABLE I  
 REMAINING PARTS: 300 SERIES SST

ASSEMBLY INFORMATION:

FOR ASSEMBLY OF THIS UNIT USE SPEC: A3445-01

KITS:

NONMETALLIC: 389-1779

REPAIR: 389-1162

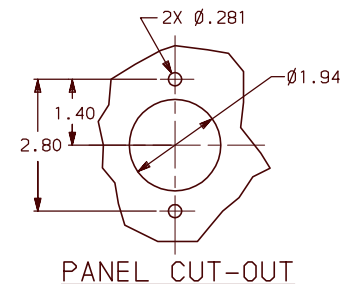
SERIES NUMBER  
 26-2321-24

TABLE I	DASH NO.	BODY MATERIAL
	2	303 SST
	3	2024-T351 ALUM.
	6	316 SST

TABLE II	DASH NO.	INLET PRESSURE
	0	0-50 PSI
	1	0-150 PSI
	2	0-250 PSI

TABLE IV	DASH NO./LTR	INLET & OUTLET PORT SIZE
	4	1/4
	6	3/8
	8	1/2

TABLE III	DASH NO.	IN & OUT PORT TYPE
	1	SAE
	2	NPT
	3	M533649



NOTES:

- PRESSURE AT WHICH REGULATOR IS USED MUST BE COMPATIBLE WITH THE PRESSURE RATING OF THE REGULATOR AND PORT SIZE/TYPE PROVIDED.

REV.	DATE	ECO NO.	BY:	APPR
U	9-13-01	1190-01	JLS	MKS
T	2-29-96	623-96	JLS	MKS
S	9-20-95	228-95	SJW	JH

**TESCOM CORPORATION**  
 INDUSTRIAL CONTROLS DIVISION  
 ELK RIVER, MN USA

INFORMATION CONTAINED ON THIS DOCUMENT IS THE PROPERTY OF TESCOM CORPORATION. NO RIGHTS ARE CONVEYED NOR IS PERMISSION TO DISCLOSE TO OTHERS GIVEN.

UNLESS OTHERWISE SPECIFIED:  
 .0 ± .020 ANGLES: ±1°  
 .00 ± .010  
 .000 ± .005

SURFACE ROUGHNESS: 100/  
 CORNER & FILLET RADI: .005-.020  
 THREADS: CLASS 2  
 REMOVE ALL BURRS  
 MFG. SPEC. 80301

DRAWING MADE IN THIRD ANGLE PROJECTION  
 (DO NOT SCALE DRAWING)

MATERIAL:  $\chi$

FINISH:  $\chi$

DRAWN BY: SJW	CHECKED BY: JH	APPROVED BY: JH
9-20-95	9-22-95	9-22-95

NAME: **INSTALLATION INFO.**

SCALE: 1:1	SIZE: C	NUMBER: 26-23XX-XX
CODE NO. 13669	SHT. 1	OF 1