

26-2500 SERIES REGULATOR

LOW PRESSURE, HIGH FLOW, BACK PRESSURE REGULATOR

ALL DIMENSIONS REFERENCE

26-25XXXXXXHX

GENERAL SPECIFICATIONS:

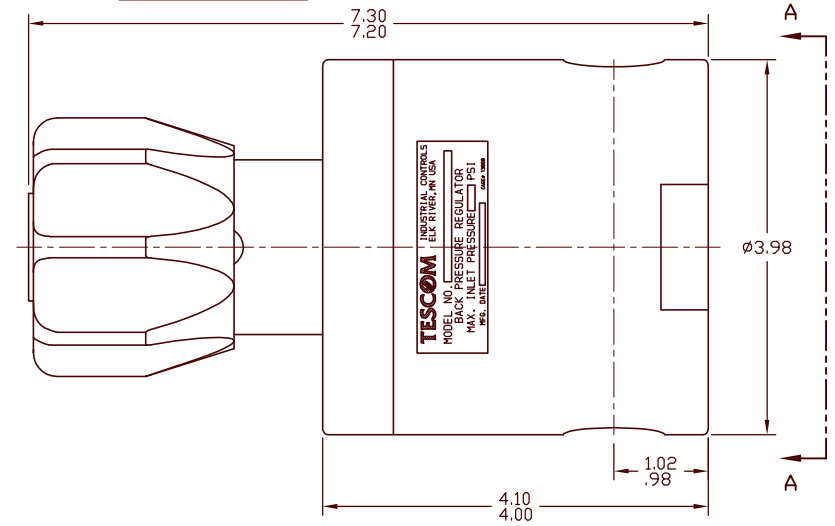
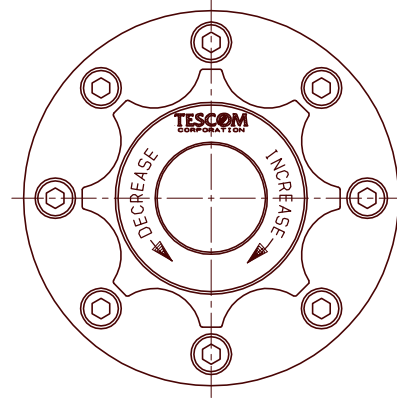
INLET PRESSURE: SEE TABLE II
 DESIGN PROOF PRESSURE: 150% OF RATED PRESSURE
 PRESSURE RATING: PER CRITERIA OF ANSI/ASME B31.3
 OPERATING TEMPERATURE: -20°F TO +165°F
 LEAKAGE: BUBBLE TIGHT
 ORIFICE FLOW CAPACITY (Cv): 5
 APPROX WEIGHT: SST: 15 LBS, BRASS: 16 LBS

MATERIALS CONTACTING LINE MEDIA:

SEAT, MAIN VALVE: SEE TABLE III
 VALVE SPRING: 302 SST
 O-RING: SEE TABLE III
 BODY, BONNET, BACK CAP: SEE TABLE I
 DIAPHRAGM: SEE TABLE VI
 REMAINING PARTS: 316 SST

ASSEMBLY INFORMATION:

FOR ASSEMBLY OF THIS UNIT USE SPEC: A63925-01



PART NUMBER SPRING LOADED, HANDKNOB ADJUST

26-2561E208HGA

TABLE I	DASH NO.	BODY, BONNET, BACK CAP MATERIAL
	1	BRASS
	6	316 SST

TABLE II	DASH NO.	INLET PRESSURE
	0	0-20 PSI
	1	0-50 PSI
	2	0-125 PSI
	3	0-200 PSI

TABLE III	DASH LTR	O-RING MATERIAL	VALVE SEAT MATERIAL
	B	BUNA-N	BUNA-N 90
	E	E.P.	E.P. 80
	M	CHEMRAZ	CHEMRAZ 75
	V	VITON	VITON

TABLE IV	DASH NO.	IN & OUT PORT TYPE
	2	NPT

TABLE V	DASH NO.	IN & OUT PORT SIZE
	08	1/2"
	12	3/4"
	16	1"

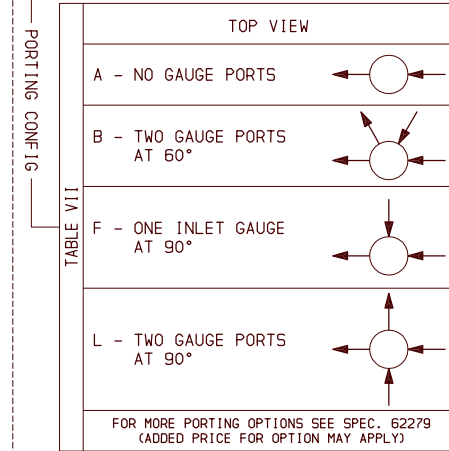
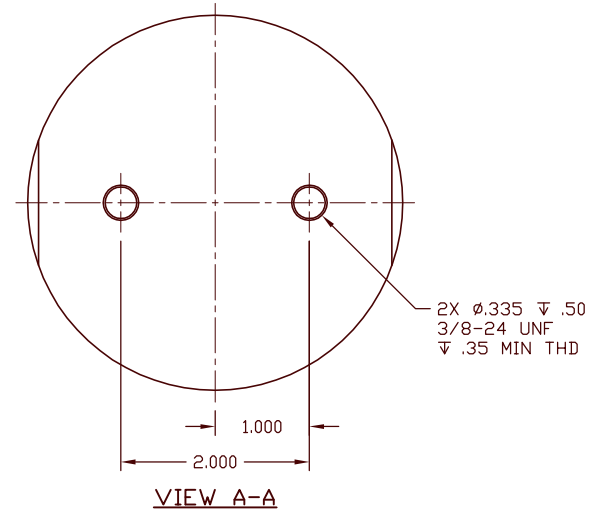


TABLE VI	DASH NO.	DIAPHRAGM MATERIAL
	G	GYLON
	V	VITON



REV.	DATE	ECO NO.	BY:	APPR
G	10-24-05	519-05	DKD	TWL
F	7-18-05	1490-05	DLH	TWL
E	3-4-03	1137-03	RAG	CRN
D	10-4-02	1170-02	EWN	CRN
C	9-25-02	1-02	SKO	CRN
B	9-11-02	1130-02	EWN	CRN
A	6-12-02	259-02	EWN	CRN

TESCOM CORPORATION
 INDUSTRIAL CONTROLS DIVISION
 ELK RIVER, MN USA

INFORMATION CONTAINED ON THIS DOCUMENT IS THE PROPERTY OF TESCOM CORPORATION. NO RIGHTS ARE CONVEYED NOR IS PERMISSION TO DISCLOSE TO OTHERS GIVEN.

UNLESS OTHERWISE SPECIFIED:
 .0 ± .020 ANGLES: ±1°
 .00 ± .010
 .000 ± .005
 SURFACE ROUGHNESS: 100
 CORNER & FILLET RADI: .005-.020
 THREADS: CLASS 2
 REMOVE ALL BURRS
 MFG. SPEC. 60301

DRAWING MADE IN THIRD ANGLE PROJECTION
 (DO NOT SCALE DRAWING)

MATERIAL: \times

FINISH: \times

DRAWN BY: EWN	CHECKED BY: CRN	APPROVED BY: CRN
------------------	--------------------	---------------------

NAME: **INSTALLATION INFO.**

SCALE: 1 : 1

SIZE	NUMBER
C	26-25XXXXXXHX

CODE NO. 13669 SHT. 1 OF 1