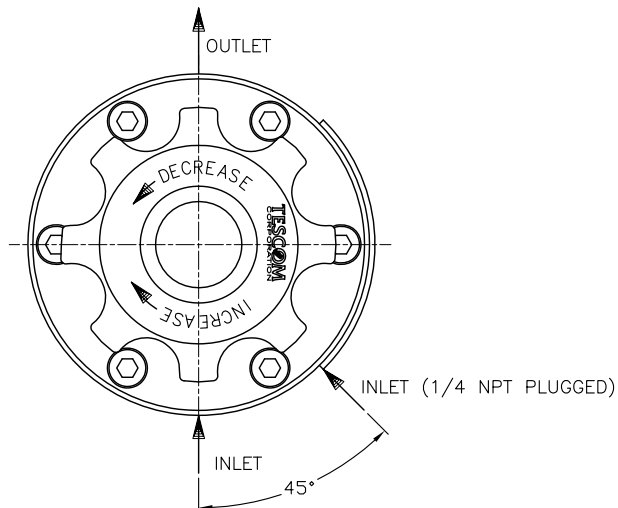
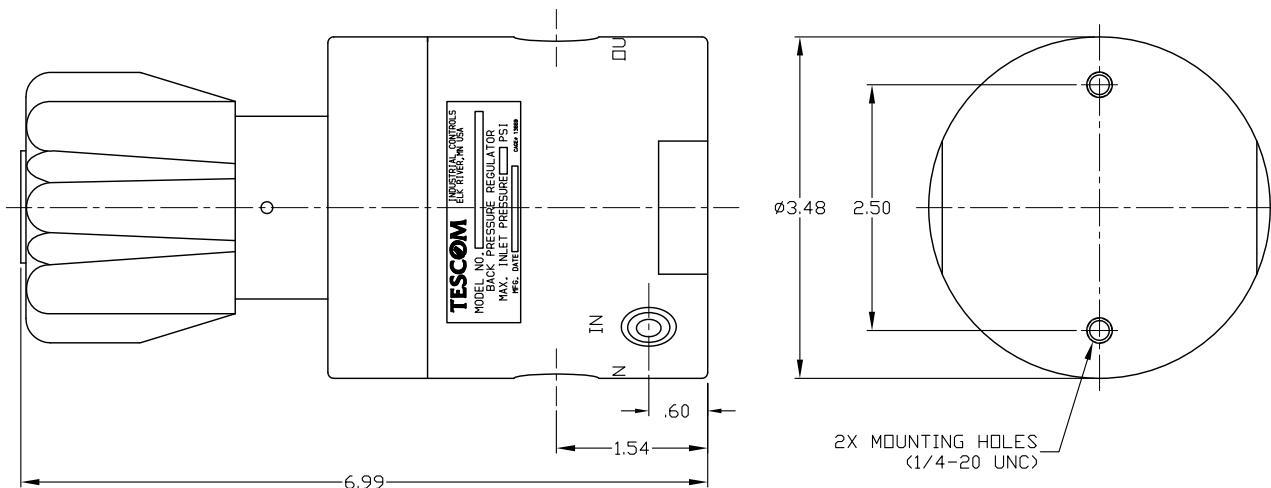


26-27XXXXXS

ALL DIMENSIONS REFERENCE



PORTING CONFIGURATION



26-2700 SERIES REGULATOR

SPRING LOADED BACK PRESSURE REGULATOR

GENERAL SPECIFICATIONS:

INLET PRESSURE: SEE TABLE II
 DESIGN PROOF PRESSURE: 150% OF RATED PRESSURE
 PRESSURE RATING: PER CRITERIA OF ANSI/ASME B31.3
 OPERATING TEMPERATURE: SEE TABLE III
 LEAKAGE: BUBBLE TIGHT
 FLOW CAPACITY (Cv): 2.0
 APPROX. WEIGHTS: 10 1/2 LBS

MATERIALS CONTACTING LINE MEDIA:

SEAT, MAIN VALVE: SEE TABLE III
 O-RINGS: III
 BODY, BONNET, BACK CAP: SEE TABLE I
 DIAPHRAGM: GYLON
 REMAINING PARTS: 300 SERIES SST/ NITRONIC 60

ASSEMBLY INFORMATION:

SPRING LOADED, HANDKNOB ADJUST SEE: A64297-02

SERIES NUMBER

26-2722V2085

SPRING LOADED

DASH NO.	BODY MATERIAL
1	BRASS
2	303 SST
6	316 SST

DASH NO.	INLET PRESSURE
0	0-30 PSI
1	0-80 PSI
2	0-185 PSI
3	0-300 PSI
4	0-375 PSI

DASH NO.	IN & OUT PORT SIZE
08	1/2"
12	3/4"

DASH NO.	IN & OUT PORT TYPE
1	SAE
2	NPT

DASH LTR	O-RING & VALVE SEAT MATERIAL	OPERATING TEMPERATURE
E	E.P. VESPEL SP21	-45°F TO +165°F
M	E.P. CTFE	-45°F TO +165°F
V	VITON CTFE	0°F TO +165°F
W	VITON VESPEL SP21	0°F TO +300°F

				MATERIAL: γ	
INDUSTRIAL CONTROLS DIVISION ELK RIVER, MN USA				FINISH: γ	
INFORMATION CONTAINED ON THIS DOCUMENT IS THE PROPERTY OF TESCOM CORPORATION. NO RIGHTS ARE CONVEYED NOR IS PERMISSION TO DISCLOSE TO OTHERS GIVEN.					
UNLESS OTHERWISE SPECIFIED: .0 ± .020 ANGLES: ±1° .00 ± .010 .000 ± .005 SURFACE ROUGHNESS: 100/					
CORNER & FILLET RADI: .005-.020 THREADS: CLASS 2 REMOVE ALL BURRS					
REV. DATE ECO NO. BY: APPR					
REVISIONS					
REFERENCE DRAWING(S)					
DRAWING MADE IN THIRD ANGLE PROJECTION (DO NOT SCALE DRAWING)					
DRAWN BY: EWN 12-2-02		CHECKED BY: CRN 1-6-03		APPROVED BY: CRN 1-6-03	
NAME					
INSTALLATION INFO.					
SCALE: 1:1		SIZE NUMBER		26-27XXXXXS	
CODE NO. 13669		C		SHT. 1 OF 1	