

ANGLE PATTERN

30-1200 SERIES HAND VALVE

HIGH FLOW, BI-DIRECTIONAL FLOW,

GENERAL SPECIFICATIONS:

- MAX OPER. PRESS.: 10,000 PSIG ¹
- DESIGN PROOF PRESSURE: 150% OF RATED PRESSURE
- DESIGN BURST PRESSURE: 400% OF RATED PRESSURE
- OPERATING TEMPERATURE: -65°F TO +165°F
- LEAKAGE: BUBBLE TIGHT
- FLOW CAPACITY (CV): ANGLE 10
- GLOBE 8.0
- WEIGHT: APPROXIMATELY 7 1/2 LBS
- MAX. OPERATING TORQUE: 35 IN.-LBS.
- MATERIALS CONTACTING LINE MEDIA:**
- SEAT: CTFE
- O-RING: BUNA-N
- BACK-UP RING: 15% GRAPHITE FILLED TEFLON
- BODY: 316 SST
- REMAINING PARTS: 316 SST, 17-4 SST

¹ PRESSURE AT WHICH REGULATOR IS USED MUST BE COMPATIBLE WITH THE PRESSURE RATING OF THE REGULATOR AND PORT SIZE/TYPE PROVIDED.

ASSEMBLY INFORMATION:

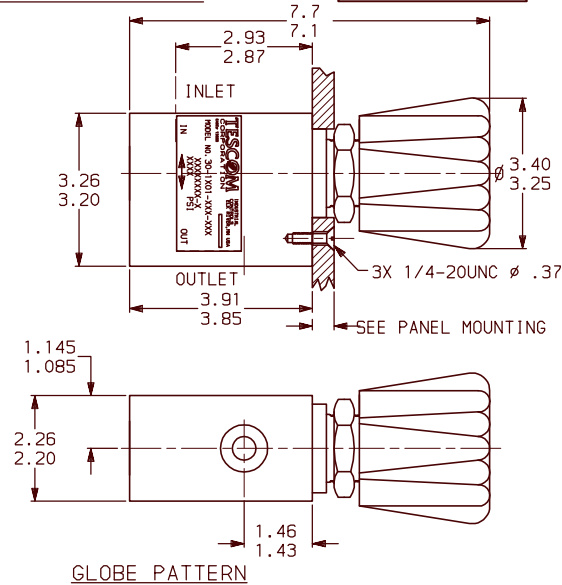
FOR ASSEMBLY OF THIS UNIT USE SPEC: A60298-01

KITS:

NONMETALLIC: 38-1200-30

REPAIR:

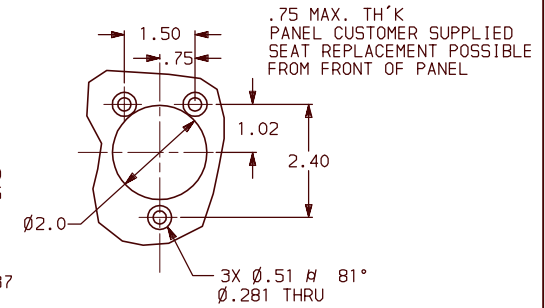
ALL DIMENSIONS REFERENCE



GLOBE PATTERN

30-12XX-XXX

PANEL MOUNTING



PANEL MOUNTING (OPTIONAL)

.5 MAX TH'K
PANEL CUSTOMER SUPPLIED
REMOVE VALVE FROM PANEL
FOR SEAT REPLACEMENT

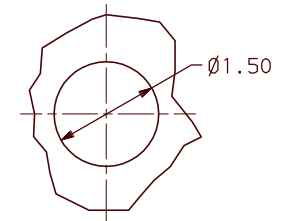


TABLE II	DASH NO.	PATTERN TYPE
	00	ANGLE
	01	GLOBE

TABLE IV	DASH NO./LTR	INLET & OUTLET PORT SIZE
	12	3/4
	16	1"

TABLE III	DASH NO.	IN & OUT PORT TYPE
	1	SAE
	2	NPT
	3	MS33649
	9	SPECIAL

REV.	DATE	ECO NO.	BY:	APPR
V	10-13-03	1678-03	JK	TMB
U	6-7-02	914-02	EWN	TMB
T	3-3-99	1018-98	SKO	DP
S	12-8-93	997-93	JLS	MKS
R	10-14-93	688-93	KBK	JH

TESCOM CORPORATION
INDUSTRIAL CONTROLS DIVISION
ELK RIVER, MN USA

INFORMATION CONTAINED ON THIS DOCUMENT IS THE PROPERTY OF TESCOM CORPORATION. NO RIGHTS ARE CONVEYED NOR IS PERMISSION TO DISCLOSE TO OTHERS GIVEN.

UNLESS OTHERWISE SPECIFIED:
 .0 ± .020 ANGLES: ±1°
 .00 ± .010
 .000 ± .005
 SURFACE ROUGHNESS: 100/
 CORNER & FILLET RADI: .005-.020
 THREADS: CLASS 2
 REMOVE ALL BURRS
 MFG. SPEC. 60301

DRAWING MADE IN THIRD ANGLE PROJECTION
(DO NOT SCALE DRAWING)

MATERIAL: λ

FINISH: λ

DRAWN BY: KBK 10-23-93	CHECKED BY: JH 11-18-93	APPROVED BY: JH 11-18-93
---------------------------	----------------------------	-----------------------------

NAME: **INSTALLATION INFO**

SCALE: 1:1	SIZE: C	NUMBER: 30-12XX-XXX
CODE NO. 13669	SHT. 1	OF 1