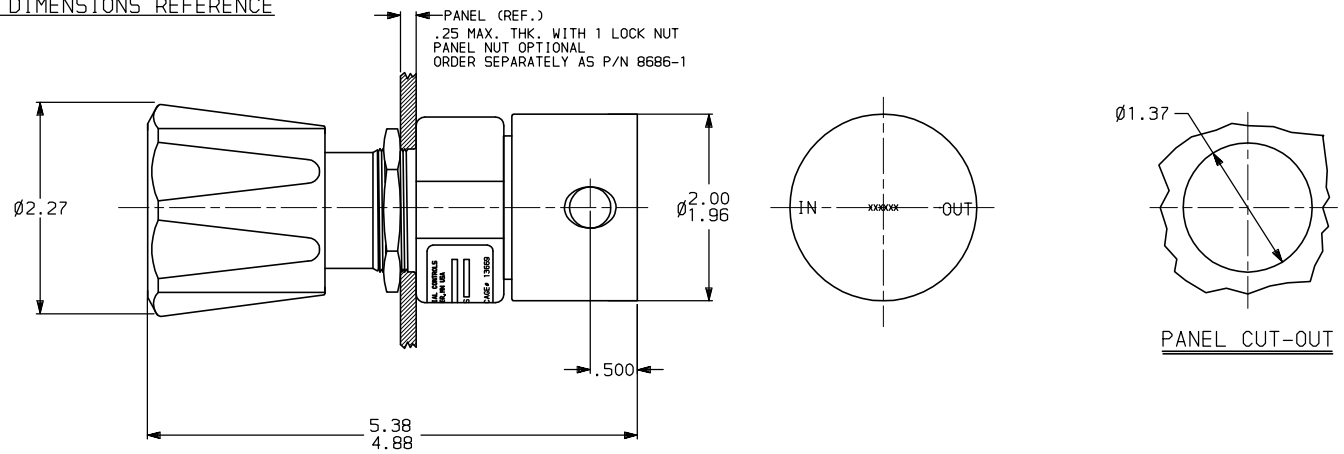


ALL DIMENSIONS REFERENCE



44-1700 SERIES REGULATOR

SPRING LOADED, HAND OPERATED, PISTON SENSED
BACK PRESSURE REGULATOR

GENERAL SPECIFICATIONS:

INLET PRESSURE: SEE TABLE I

DESIGN PROOF PRESSURE: 150% OF RATED PRESSURE
PRESSURE RATING: PER CRITERIA OF ANSI/ASME B31.3
OPERATING TEMPERATURE: -40°F TO +165°F
LEAKAGE: BUBBLE TIGHT
FLOW CAPACITY (CV): .10
WEIGHT: APPROXIMATELY 2 LBS.

MATERIALS CONTACTING LINE MEDIA:

SEAT: KEL-F
O-RING: VITON
BACK-UP RING: TEFLON
BODY: SEE TABLE I
REMAINING PARTS: BRASS & 300 SERIES SST

ASSEMBLY INFORMATION:

FOR ASSEMBLY OF THIS UNIT USE SPEC. A60403-01

KITS:

NONMETALLIC: 389-6270
REPAIR: 389-6269

NOTES:

- REGULATOR INCORPORATES AN ADJUSTABLE STOP WHICH ALLOWS THE MAXIMUM INLET PRESSURE TO BE LIMITED TO ANY VALUE BETWEEN THE MAXIMUM RATED VALUE AND 50% OF THE MAXIMUM RATED VALUE.

SERIES NUMBER

44-1767-24

TABLE I	DASH NO.	BODY MATERIAL
	1	BRASS
	6	316 SST

TABLE II	DASH NO.	INLET PRESSURE	PROOF PRESSURE
	2	40 - 150 PSI	150%
	3	40 - 300 PSI	
	7	100 - 700 PSI	
	8	100 - 800 PSI	

TABLE IV	DASH NO./LITR	INLET & OUTLET PORT SIZE
	4	1/4

TABLE III	DASH NO.	IN & OUT PORT TYPE
	2	NPT

K	2-27-01	77-01	EWN	MKS
J	10-30-00	1239-00	JLS	MKS
H	11-17-99	1153-99	JLS	MKS
G	8-9-99	934-99	SKO	MKS
F	8-3-99	2-99	EWN	MKS
E	7-16-96	245-96	SJW	MKS
D	4-29-96	751-96	JLS	MKS
C	2-23-96	614-96	JLS	MKS
B	1-26-95	351-95	JLS	MKS
A	8-19-94	161-94	TWL	MKS

REV. DATE ECO NO. BY: APPR

REVISIONS

REFERENCE DRAWING(S)

TESCOM CORPORATION
INDUSTRIAL CONTROLS DIVISION
ELK RIVER, MN USA

INFORMATION CONTAINED ON THIS DOCUMENT IS THE PROPERTY OF TESCOM CORPORATION. NO RIGHTS ARE CONVEYED NOR IS PERMISSION TO DISCLOSE TO OTHERS GIVEN.

UNLESS OTHERWISE SPECIFIED:
.0 ± .020 ANGLES: ±1°
.00 ± .010
.000 ± .005
SURFACE ROUGHNESS: 100
CORNER & FILLET RADI: .005-.020
THREADS: CLASS 2
REMOVE ALL BURRS
MFG. SPEC. 60301

DRAWING MADE IN THIRD ANGLE PROJECTION
(DO NOT SCALE DRAWING)

MATERIAL: X

FINISH: X

DRAWN BY:	CHECKED BY:	APPROVED BY:
TWL	MKS	MKS
8-19-94	9-6-94	9-6-94

NAME: **INSTALLATION INFO**

SCALE: 1:1	SIZE: C	NUMBER: 44-17XX-XX
CODE NO. 13669	SHT. 1	OF 1