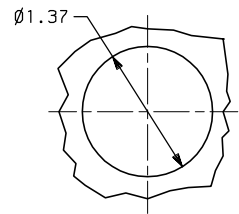
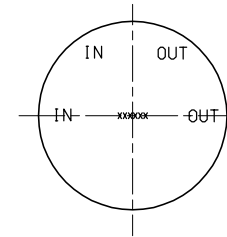
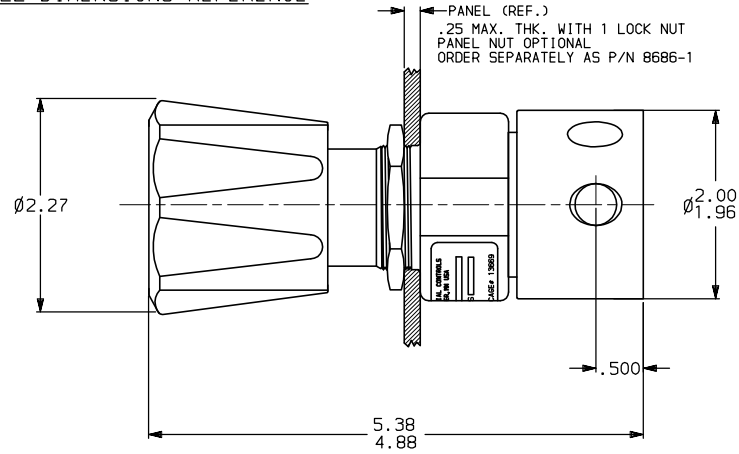
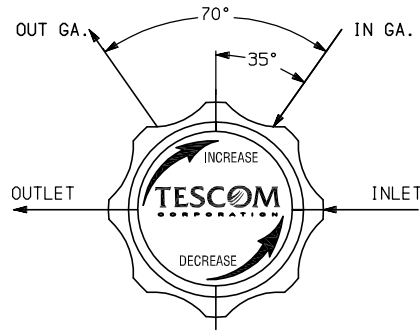


44-18XX-XX

ALL DIMENSIONS REFERENCE



PANEL CUT-OUT

44-1800 SERIES REGULATOR

SPRING LOADED, HAND OPERATED, PISTON SENSED PRESSURE REDUCING REGULATOR.

GENERAL SPECIFICATIONS:

INLET PRESSURE: 44-18XX-A4: 3000 PSIG MAX.
44-18XX-24: 6000 PSIG MAX.
 OUTLET PRESSURE: SEE TABLE I
 DESIGN PROOF PRESSURE: 150% OF RATED PRESSURE
 PRESSURE RATING: PER CRITERIA OF ANSI/ASME B31.3
 OPERATING TEMPERATURE: -15°F TO +165°F
 LEAKAGE: BUBBLE TIGHT

FLOW CAPACITY (CV): .06
 WEIGHT: APPROXIMATELY 2 LBS.

MATERIALS CONTACTING LINE MEDIA:

SEAT: TEFLON
 O-RING: VITON (AMS 7278 FLUOROCARBON)
 BACK-UP RING: TEFLON (MIL-P-19468)
 BODY: SEE TABLE I
 REMAINING PARTS: BRASS & 300 SERIES SST

ASSEMBLY INFORMATION:

FOR ASSEMBLY OF THIS UNIT USE SPEC: A40834-01

KITS:

NONMETALLIC: 389-3117

REPAIR: 389-3116

NOTES:

- REGULATOR INCORPORATES AN ADJUSTABLE STOP WHICH ALLOWS THE MAXIMUM OUTLET PRESSURE TO BE LIMITED TO ANY VALUE BETWEEN THE MAXIMUM RATED VALUE AND 50% OF THE MAXIMUM RATED VALUE.

2. VCR: REGISTERED TRADEMARKS OF CAJON CO.
 VACULOK: REGISTERED TRADEMARK OF HOKE INC.
 VACUSEAL: REGISTERED TRADEMARKS OF PARKER HANNIFIN CORP.

SERIES NUMBER

44-1812-24

TABLE I	DASH NO.	BODY MATERIAL
	1	BRASS
	2	303 SST
	6	316 SST

TABLE II	DASH NO.	OUTLET PRESSURE	PROOF PRESSURE
	1	0-1500 PSI	150%
	2	0-2500 PSI	

TABLE IV	DASH NO./LTR	INLET & OUTLET PORT SIZE
	4	1/4"

TABLE III	DASH NO.	IN & OUT PORT TYPE	COMPATIBLE WITH:
	2	NPT	
	A	HPIC	VCR/VACULOK/VACUSEAL

REV.	DATE	ECO NO.	BY:	APPR
AA	1-6-01	606-01	SKO	MKS
Z	10-20-00	1225-00	JLS	MKS
Y	11-30-99	1160-99	JLS	MKS

TESCOM CORPORATION
 INDUSTRIAL CONTROLS DIVISION
 ELK RIVER, MN USA

INFORMATION CONTAINED ON THIS DOCUMENT IS THE PROPERTY OF TESCOM CORPORATION. NO RIGHTS ARE CONVEYED NOR IS PERMISSION TO DISCLOSE TO OTHERS GIVEN.

UNLESS OTHERWISE SPECIFIED:
 .01 ± .020 ANGLES: ±1°
 .00 ± .010
 .003 ± .005
 SURFACE ROUGHNESS: 100/
 CORNER & FILLET RADI: .005-.020
 THREADS: CLASS 2
 REMOVE ALL BURRS
 MFG. SPEC. 60301

DRAWING MADE IN THIRD ANGLE PROJECTION
 (DO NOT SCALE DRAWING)

MATERIAL: X

FINISH: X

DRAWN BY:	CHECKED BY:	APPROVED BY:
JLS 12-13-90	MKS 12-20-99	MKS 12-20-99

NAME: **INSTALLATION INFO**

SCALE: 1:1	SIZE: C	NUMBER: 44-18XX-XX
CODE NO. 13669	SHT. 1	OF 1