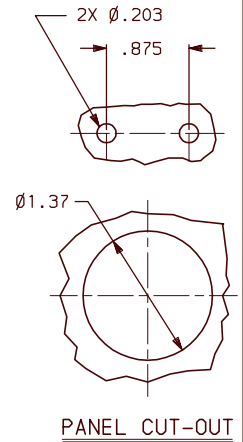
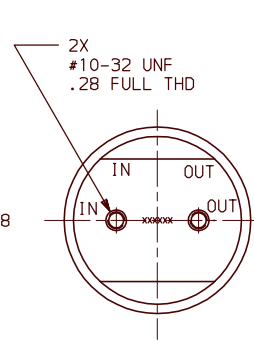
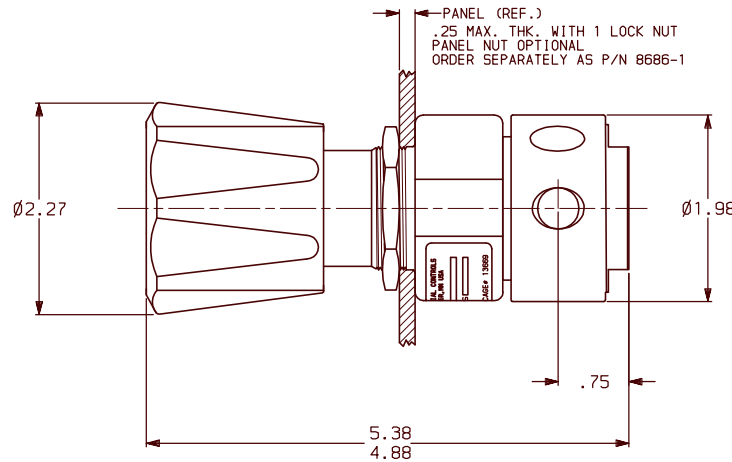
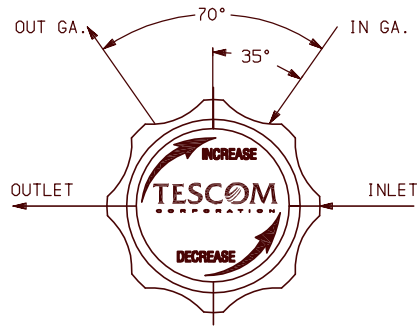


ALL DIMENSIONS REFERENCE

44-22XX-2X1



44-2200 SERIES REGULATOR

SPRING LOADED, HAND OPERATED, PRESSURE REDUCING REGULATOR WITH METAL TO METAL SEALED DIAPHRAGM.

GENERAL SPECIFICATIONS:

INLET PRESSURE: SEE TABLE V
 OUTLET PRESSURE: SEE TABLE II
 DESIGN PROOF PRESSURE: 150% OF RATED PRESSURE
 PRESSURE RATING: PER CRITERIA OF ANSI/ASME B31.3
 OPERATING TEMPERATURE: -40°F TO +165°F
 LEAKAGE: INTERNAL: BUBBLE TIGHT
 EXTERNAL: <2 X 10⁻⁸ atm cc/sec. He
 FLOW CAPACITY (Cv.): SEE TABLE V
 WEIGHT: APPROXIMATELY 2 LBS.

MATERIALS CONTACTING LINE MEDIA:

SEAT: TEFLON
 FRICTION SLEEVE (INNER): TEFLON
 FRICTION SLEEVE (OUTER): SEE TABLE I
 BODY: SEE TABLE I
 DIAPHRAGM: SEE TABLE I
 FILTER: 316SS
 44-225X & 44-229X: NONE
 REMAINING PARTS: SEE TABLE I

ASSEMBLY INFORMATION:

FOR ASSEMBLY OF THIS UNIT USE SPEC: A60840-01

KITS:

NONMETALLIC: (44-22XX-XX1)
 STANDARD 389-6341
 HASTELLOY & MONEL 389-6343

REPAIR:

(44-22XX-XX1)
 SST BODIES: 389-6342
 BRASS BODIES: 389-6346
 HASTELLOY BODIES: 389-6344
 MONEL BODIES: 389-6345

TABLE I	DASH NO.	BODY MATERIAL	DIAPHRAGM	SPRING	FRICTION SLEEVE (OUTER)	REMAINING PARTS
	1	BRASS	316 SST	316 SST	316 SST	316/BRASS
	5	HASTELLOY	ELGILOY	ELGILOY	HASTELLOY	HASTELLOY
	6	316	316 SST	316 SST	316 SST	316 SST
	9	MONEL	ELGILOY	ELGILOY	TEFLON	MONEL

TABLE II	DASH NO.	OUTLET PRESSURE	PROOF PRESSURE
	0	0-25 PSI	150%
	1	0-50 PSI	
	2	0-100 PSI	
	3	0-250 PSI	
	4	0-500 PSI (44-22XX-XX1 ONLY)	

TABLE III	DASH NO.	IN & OUT PORT TYPE
	2	NPT

NOTES:

- REGULATOR INCORPORATES AN ADJUSTABLE STOP WHICH ALLOWS THE MAXIMUM OUTLET PRESSURE TO BE LIMITED TO ANY VALUE BETWEEN THE MAXIMUM RATED VALUE AND 50% OF THE MAXIMUM RATED VALUE.

SERIES NUMBER

44-2262-241

TABLE V	DASH NO.	MAX. INLET PRESSURE	FLOW CAPACITY
	1	3500 PSI	Cv = .06

TABLE IV	DASH NO. /LTR	INLET & OUTLET PORT SIZE
	4	1/4

REV.	DATE	ECO NO.	BY:	APPR
BH	1-5-04	1011-04	JK	MKS
BG	5-21-03	1338-03	RAG	SJW
BF	9-1-01	856-00	JLS	MKS
BE	12-16-00	1-00	SKO	MKS
BD	10-13-00	1228-00	JLS	MKS
BC	9-15-00	1123-00	JLS	MKS
BB	6-27-00	931-00	JLS	MKS
BA	9-8-66	872-99	JLS	MKS
AZ	4-28-97	680-97	SKO	MKS
AY	12-8-95	983-95	ERW	JH

TESCOM CORPORATION
 INDUSTRIAL CONTROLS DIVISION
 ELK RIVER, MN USA

UNLESS OTHERWISE SPECIFIED:
 .0 ± .020 ANGLES: ±1°
 .00 ± .010
 .000 ± .005
 SURFACE ROUGHNESS: 100/
 CORNER & FILLET RADI: .005-.020
 THREADS: CLASS 2
 REMOVE ALL BURRS
 MFG. SPEC. 80301

DRAWING MADE IN THIRD ANGLE PROJECTION
 (DO NOT SCALE DRAWING)

MATERIAL: χ

FINISH: χ

DRAWN BY: ERW 12-8-95	CHECKED BY: JH 12-8-95	APPROVED BY: JH 12-8-95
----------------------------	-----------------------------	------------------------------

NAME: **INSTALLATION INFO**

SCALE: 1:1	SIZE: C	NUMBER: 44-22XX-2X1
CODE NO. 13669	SHT. 1	OF 1