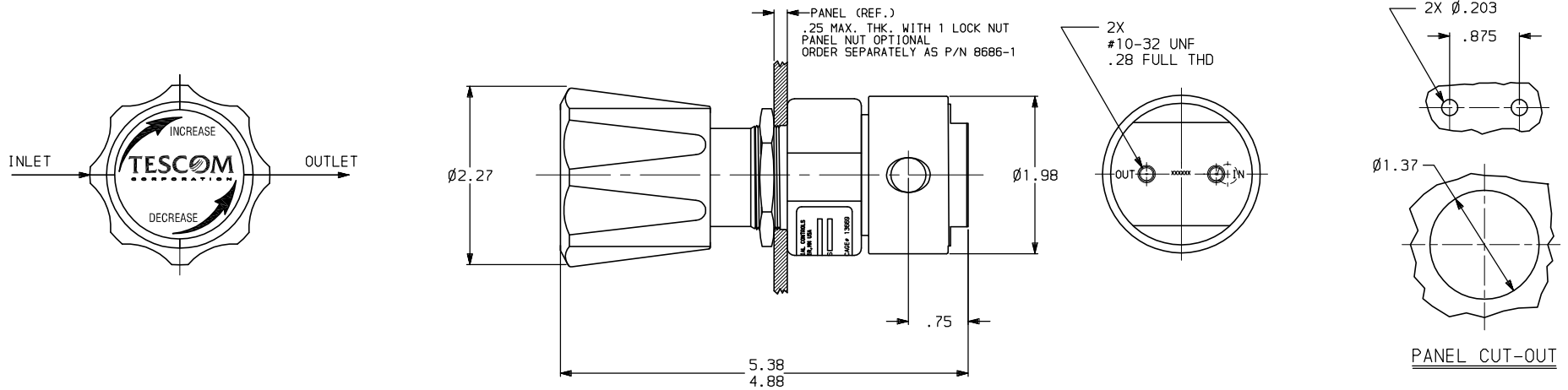


44-23XX-2X

ALL DIMENSIONS REFERENCE



44-2300 SERIES REGULATOR

SPRING LOADED, HAND OPERATED, BACK PRESSURE REGULATOR WITH METAL TO METAL SEALED DIAPHRAGM.

GENERAL SPECIFICATIONS:

INLET PRESSURE: SEE TABLE I
 DESIGN PROOF PRESSURE: 150% OF RATED PRESSURE
 PRESSURE RATING: PER CRITERIA OF ANSI/ASME B31.3
 OPERATING TEMPERATURE: -40°F TO +165°F
 LEAKAGE: INTERNAL: BUBBLE TIGHT
 EXTERNAL: 2×10^{-8} atm cc/sec. He
 FLOW CAPACITY (C.V.): .08
 WEIGHT: APPROXIMATELY 2 LBS.

MATERIALS CONTACTING LINE MEDIA:

SEAT: CTFE
 BODY: SEE TABLE I
 DIAPHRAGM: SEE TABLE I
 REMAINING PARTS: SEE TABLE I

ASSEMBLY INFORMATION:

FOR ASSEMBLY OF THIS UNIT USE SPEC: A60855-01

KITS:

NONMETALLIC:
 NONE

REPAIR:

BRASS, 316: 389-6405 -- 44-23X0
 -- 44-23X1
 389-6745 -- 44-23X2
 -- 44-23X3

MONEL: 389-6412 -- 44-23X0
 -- 44-23X1
 389-XXXX -- 44-23X2
 -- 44-23X3

NOTES:

- REGULATOR INCORPORATES AN ADJUSTABLE STOP WHICH ALLOWS THE MAXIMUM OUTLET PRESSURE TO BE LIMITED TO ANY VALUE BETWEEN THE MAXIMUM RATED VALUE AND 50% OF THE MAXIMUM RATED VALUE.

TABLE I	DASH NO.	BODY MATERIAL	DIAPHRAGM	SPRING	REMAINING PARTS
	1	BRASS	316 SST	316 SST	316 SST
	6	316	316 SST	316 SST	316 SST
	9	MONEL	ELGILOY	ELGILOY	MONEL

TABLE II	DASH NO.	INLET PRESSURE	PROOF PRESSURE
	0	0-25 PSI	150%
	1	0-50 PSI	
	2	0-100 PSI	
	3	0-250 PSI	

TABLE III	DASH NO.	IN & OUT PORT TYPE
	2	NPT

SERIES NUMBER

44-2363-24

TABLE IV	DASH NO./LTR	INLET & OUTLET PORT SIZE
	4	1/4

REV.	DATE	ECO NO.	BY	APPR
AM	9-1-01	856-00	JLS	MKS
AL	11-30-00	1307-00	JLS	MKS
AK	7-7-99	231-99	EWN	MKS
AJ	4-15-98	106-98	SJW	MKS
AH	12-22-97	1029-97	JLS	DP
AG	9-29-97	793-97	JLS	MKS
AF	7-30-96	578-96	JLS	MKS
AE	12-15-95	995-95	ERW	JH

TESCOM CORPORATION
 INDUSTRIAL CONTROLS DIVISION
 ELK RIVER, MN USA

INFORMATION CONTAINED ON THIS DOCUMENT IS THE PROPERTY OF TESCOM CORPORATION. NO RIGHTS ARE CONVEYED NOR IS PERMISSION TO DISCLOSE TO OTHERS GIVEN.

UNLESS OTHERWISE SPECIFIED:
 .0 ± .020 ANGLES: ±1°
 .00 ± .010
 .000 ± .005
 SURFACE ROUGHNESS: 100
 CORNER & FILLET RADI: .005-.020
 THREADS: CLASS 2
 REMOVE ALL BURRS

MFG. SPEC. 60301

DRAWING MADE IN THIRD ANGLE PROJECTION
 (DO NOT SCALE DRAWING)

MATERIAL: λ

FINISH: λ

DRAWN BY: ERW	CHECKED BY: JH	APPROVED BY: JH
------------------	-------------------	--------------------

NAME
INSTALLATION INFORMATION

SCALE: 1:1	SIZE C	NUMBER 44-23XX-2X
CODE NO. 13669	SHT. 1	OF 1