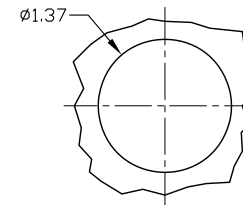
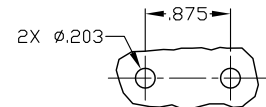
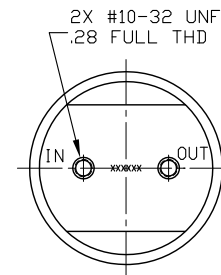
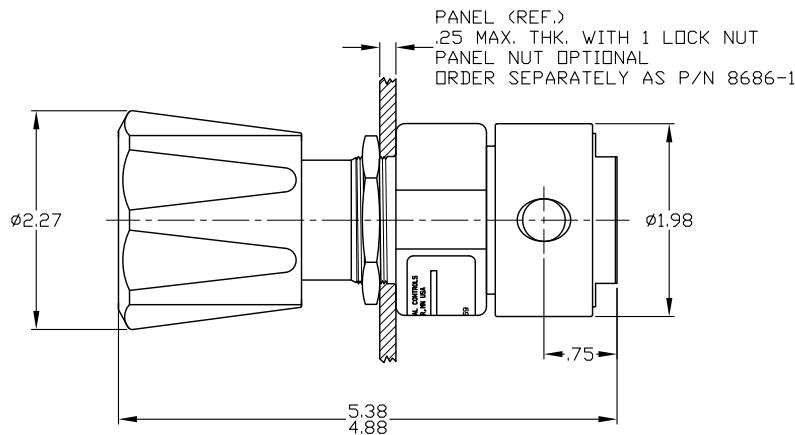


PORTING CONFIGURATION



PANEL CUT-OUT

44-2500 SERIES REGULATOR

SPRING LOADED, HAND OPERATED, BACK PRESSURE REGULATOR WITH METAL TO METAL SEALED DIAPHRAGM

GENERAL SPECIFICATIONS:

INLET PRESSURE: SEE TABLE II
 DESIGN PROOF PRESSURE: 150% OF RATED PRESSURE
 PRESSURE RATING: PER CRITERIA OF ANSI/ASME B31.3
 OPERATING TEMPERATURE: -15°F TO +165°F
 LEAKAGE: INTERNAL: BUBBLE TIGHT
EXTERNAL: <math>< 2 \times 10^{-8}</math> atm cc/sec He
 FLOW CAPACITY (Cv): .30
 WEIGHT: APPROXIMATELY 2 LBS

MATERIALS CONTACTING LINE MEDIA:

SEAT RETAINER: PEEK
 O-RING: SEE TABLE III
 BODY: SEE TABLE I
 DIAPHRAGM: SEE TABLE I

ASSEMBLY INFORMATION:

FOR ASSEMBLY OF THIS UNIT USE SPEC: 67943-01

SERIES NUMBER
44-2560T24A

TABLE I	DASH NO.	BODY MATERIAL	DIAPHRAGM
	1	BRASS	316 SST
	5	HASTELLOY	ELGILOY
	6	316 SST	316 SST
	9	MONEL	ELGILOY

TABLE II	DASH NO.	INLET PRESSURE
	0	0-25 PSI
	1	0-50 PSI
	2	0-100 PSI
	3	0-250 PSI

TABLE III	DASH LTR.	O-RING MATERIAL
	K	KALREZ
	T	VITON

TABLE VI	DASH LTR.	PORTING CONFIGURATION
	A	NO GAUGE PORTS
	F	ONE INLET GAUGE AT 90°

TABLE V	DASH NO.	INLET & OUTLET PORT SIZE
	4	1/4

TABLE IV	DASH NO.	INLET & OUTLET PORT TYPE
	2	NPT

NOTES:

- REGULATOR INCORPORATES AN ADJUSTABLE STOP WHICH ALLOWS THE MAXIMUM OUTLET PRESSURE TO BE LIMITED TO ANY VALUE BETWEEN THE MAXIMUM RATED VALUE AND 50% OF THE MAXIMUM RATED VALUE.

 INDUSTRIAL CONTROLS DIVISION ELK RIVER, MINN. USA INFORMATION CONTAINED ON THIS DOCUMENT IS THE PROPERTY OF TESCOM CORPORATION. NO RIGHTS ARE CONVEYED NOR IS PERMISSION TO DISCLOSE TO OTHERS GIVEN. UNLESS OTHERWISE SPECIFIED: .0 ± .020 ANGLES: ±1° .00 ± .010 .000 ± .005 SURFACE ROUGHNESS: 100/ CORNER & FILLET RADII: .005-.020 THREADS: CLASS 2 REMOVE ALL BURRS MFG. SPEC. 60301		MATERIAL:	
		FINISH:	
C 5-12-08 1726-08 DLH JDJ B 2-8-08 5001-08 RAG JDJ A 3-15-07 117-07 DKD JDJ REV. DATE ECO NO. BY: APPR	REVISIONS REFERENCE DRAWING(S)	DRAWN BY: 3-15-07 CHECKED BY: JDJ 5-2-07 APPROVED BY: JDJ 5-2-07 NAME: INSTALLATION INFO SCALE: 1 : 1 SIZE NUMBER: C 44-25XXXXXX CODE NO. 13669 SHT. 1 OF 1	