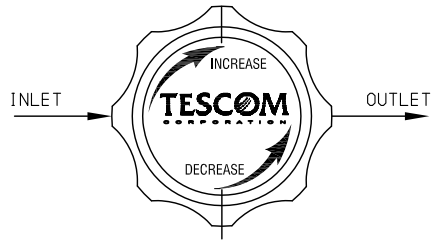
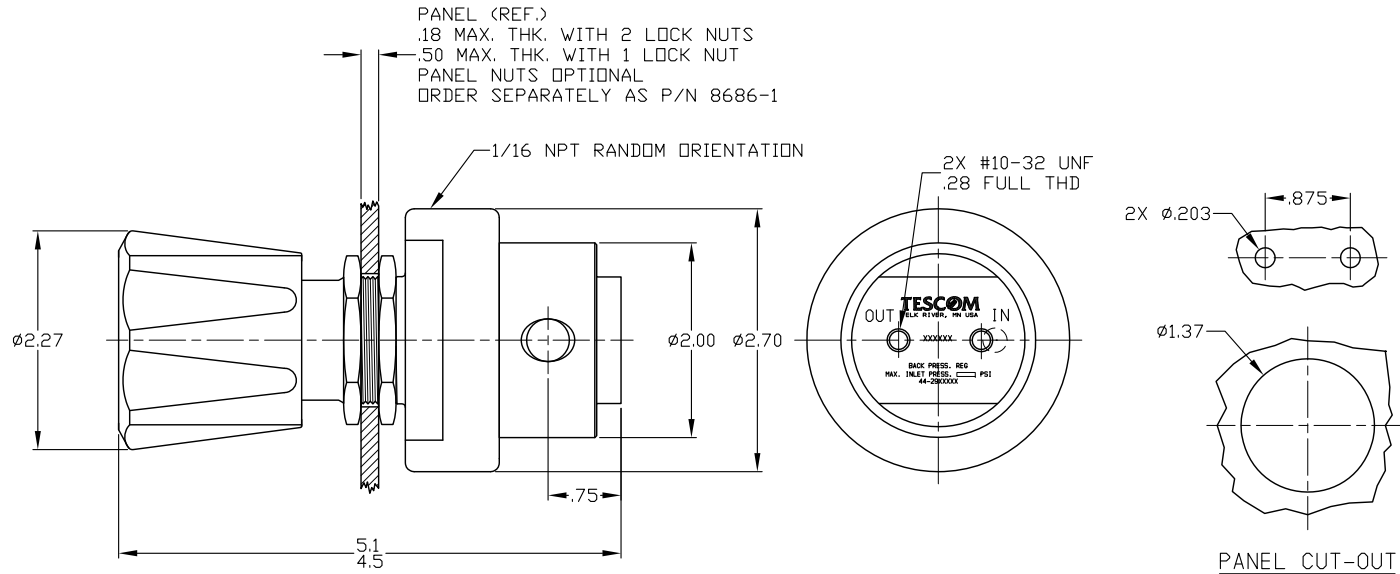


ALL DIMENSIONS REFERENCE

44-29XXXXXX



PORTING CONFIGURATION



PANEL CUT-OUT

44-2900 SERIES REGULATOR
 SPRING LOADED, HAND OPERATED, BACK PRESSURE REGULATOR
 WITH METAL TO METAL SEALED DIAPHRAGM.

GENERAL SPECIFICATIONS:

INLET PRESSURE: SEE TABLE II
 DESIGN PROOF PRESSURE: 150% OF RATED PRESSURE
 PRESSURE RATING: PER CRITERIA OF ANSI/ASME B31.3
 OPERATING TEMPERATURE: -15°F TO +165°F
 LEAKAGE: INTERNAL: BUBBLE TIGHT
 EXTERNAL: $< 2 \times 10^{-8}$ atm cc/sec. He
 FLOW CAPACITY (Cv): .30
 WEIGHT: APPROXIMATELY 3 LBS.

MATERIALS CONTACTING LINE MEDIA:

SEAT RETAINER: PEEK
 O-RING: SEE TABLE III
 BODY: SEE TABLE I
 DIAPHRAGM: SEE TABLE I

ASSEMBLY INFORMATION:

FOR ASSEMBLY OF THIS UNIT USE SPEC: A67944-01

* TABLE III - FLOW STREAM ONLY

NOTES:

- REGULATOR INCORPORATES AN ADJUSTABLE STOP WHICH ALLOWS THE MAXIMUM OUTLET PRESSURE TO BE LIMITED TO ANY VALUE BETWEEN THE MAXIMUM RATED VALUE AND 50% OF THE MAXIMUM RATED VALUE.

SERIES NUMBER
 44-2960T24A

TABLE I	DASH NO.	BODY MATERIAL	DIAPHRAGM
	6	316 SST	316 SST

TABLE II	DASH NO.	INLET PRESSURE
	0	0-25 PSI
	1	0-50 PSI
	2	0-100 PSI
	3	0-150 PSI
	L	0-12 PSI

TABLE III*	DASH LTR.	O-RING MATERIAL
	K	KALREZ
	T	VITON

TABLE VI	DASH LTR.	PORTING CONFIGURATION
	A	NO GAUGE PORTS
	F	ONE INLET GAUGE AT 90°

TABLE V	DASH NO.	INLET & OUTLET PORT SIZE
	4	1/4

TABLE IV	DASH NO.	INLET & OUTLET PORT TYPE
	2	NPT

 INDUSTRIAL CONTROLS DIVISION ELK RIVER, MN USA INFORMATION CONTAINED ON THIS DOCUMENT IS THE PROPERTY OF TESCOM CORPORATION. NO RIGHTS ARE CONVEYED NOR IS PERMISSION TO DISCLOSE TO OTHERS GIVEN. UNLESS OTHERWISE SPECIFIED: .0 ± .020 ANGLES: ±1° .00 ± .010 .000 ± .005 SURFACE ROUGHNESS: 100/ CORNER & FILLET RADII: .005-.020 THREADS: CLASS 2 REMOVE ALL BURRS MFG. SPEC. 60301		MATERIAL:
		FINISH:
D 6-18-08 5331-08 CLR JDU C 5-12-08 1726-08 DLH JDU B 2-8-08 5001-08 RAG JDU A 3-15-07 118-07 DKD JDU	REV. DATE ECO NO. BY: APPR	DRAWN BY: DKD 3-15-07 CHECKED BY: JDU 5-2-07 APPROVED BY: JDU 5-2-07
REVISIONS		NAME INSTALLATION INFO
REFERENCE DRAWING(S)		SCALE: 1:1 SIZE NUMBER: C CODE NO. 13669 SHT. 1 OF 1