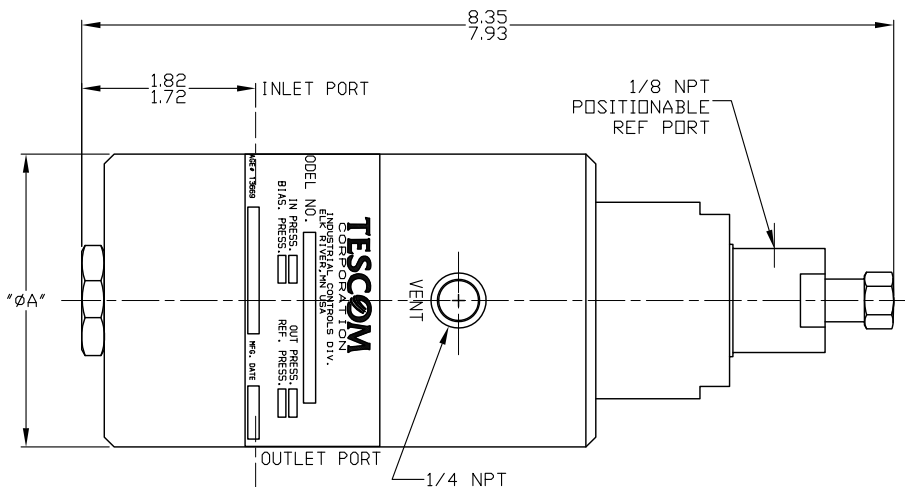
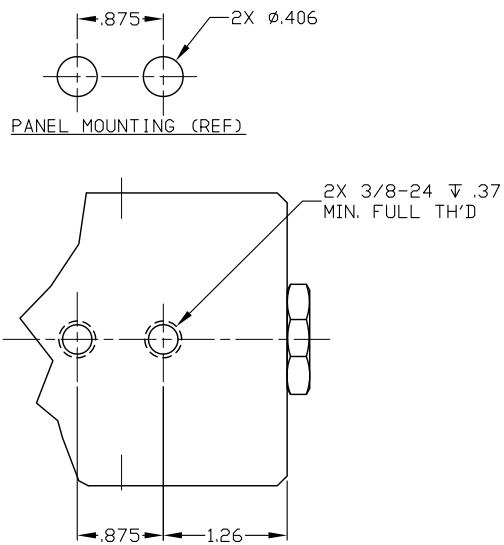


ALL DIMENSIONS REFERENCE

44-40XXXX



INLET & OUTLET PORT	"A"
1/2	ø2.98
3/4 NPT	ø2.98
3/4 SAE	ø3.48

44-4000 SERIES REGULATOR

DOME LOADED, SPRING (ADJ.) BIAS, SEGREGATED (NON-ADJUSTABLE) VENT, PRESSURE REDUCING REGULATOR

GENERAL SPECIFICATIONS:

INLET PRESSURE: 6000 PSI MAX.
 OUTLET PRESSURE: REF + BIAS
 BIAS PRESSURE: SEE TABLE II
 DESIGN PROOF PRESSURE: 150% OF RATED PRESSURE
 PRESSURE RATING: PER CRITERIA OF ANSI/ASME B31.3
 REF PRESSURE: 1500 PSI MAX.
 OPERATING TEMPERATURE: SEE TABLE III
 LEAKAGE: BUBBLE TIGHT
 FLOW CAPACITY (CV): LIQUID: .7
 VENT: .35
 WEIGHT: APPROXIMATELY 8 LBS

MATERIALS CONTACTING LINE MEDIA:

SEAT, MAIN VALVE: SEE TABLE III
 GASKET: SEE TABLE III
 O-RING: SEE TABLE III
 BACK-UP RING: TEFLON
 BODY: SEE TABLE I
 REMAINING PARTS: 300 SERIES SST, 17-4PH BRASS

ASSEMBLY INFORMATION:

FOR ASSEMBLY OF THIS UNIT USE SPEC: A60039-01

KITS:

NONMETALLIC:

389-2623 -- 44-40XXEXX

REPAIR:

38-4000-44 -- 44-40XXEXX

SERIES NUMBER

44-4019E212

TABLE I	DASH NO.	BODY MATERIAL
	1	BRASS
	2	303 SST
	6	316 SST
	9	CHROME PLATED BRASS

TABLE II	DASH NO.	MAX. BIAS PRESSURE
	1	100 PSI
	2	200 PSI
	3	350 PSI
	4	120-150 PSI MAX.
	9	0-15 PSI

TABLE III	DASH LTR.	SOFT GOODS			
		O-RING	SEAT	GASKET	TEMPERATURE
	E	VITON	CTFE	CTFE	0° TO 165°F
	M	E.P.	CTFE	CTFE	-65° TO 165°F
	P	KELREZ	CTFE	CTFE	-65° TO 165°F
	V	VITON	VESPEL	VESPEL	0° TO 300°F

TABLE V	DASH NO.	INLET & OUTLET PORT SIZE
	8	1/2
	12	3/4 (NPT & SAE ONLY)

TABLE IV	DASH NO.	INLET & OUTLET PORT TYPE
	0	BSP
	1	SAE
	2	NPT
	3	MS33649

REV.	DATE	ECO NO.	BY:	APPR
AN	4-29-08	1564-08	DKD	TWL
AM	11-2-07	5637-07	SKO	TWL
AL	7-17-07	1-07	SKO	TWL
AK	6-23-03	2-03	JLS	CRN
AJ	1-21-02	35-02	RAG	CRN
AH	12-17-01	1394-01	SKO	CRN
AG	11-1-01	393-01	RAG	CRN
AF	4-9-01	134-01	EWN	TMB

TESCOM CORPORATION
 INDUSTRIAL CONTROLS DIVISION
 ELK RIVER, MN USA

INFORMATION CONTAINED ON THIS DOCUMENT IS THE PROPERTY OF TESCOM CORPORATION. NO RIGHTS ARE CONVEYED NOR IS PERMISSION TO DISCLOSE TO OTHERS GIVEN.

UNLESS OTHERWISE SPECIFIED:
 .01 ± .020 ANGLES: ±1°
 .00 ± .010
 .000 ± .005
 SURFACE ROUGHNESS: 100/
 CORNER & FILLET RADI: .005-.020
 THREADS: CLASS 2
 REMOVE ALL BURRS

DRAWING MADE IN THIRD ANGLE PROJECTION
 (DO NOT SCALE DRAWING)

MATERIAL: ∞

FINISH: ∞

DRAWN BY:	CHECKED BY:	APPROVED BY:
SJW 6-1-95	JD 6-1-95	JD 6-1-95

NAME: **INSTALLATION INFO.**

SCALE: 1:1	SIZE NUMBER: 44-40XXXX
CODE NO. 13669	SHT. 1 OF 1