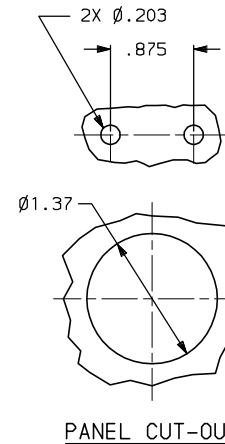
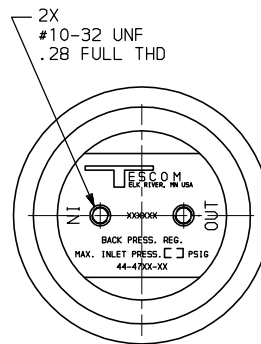
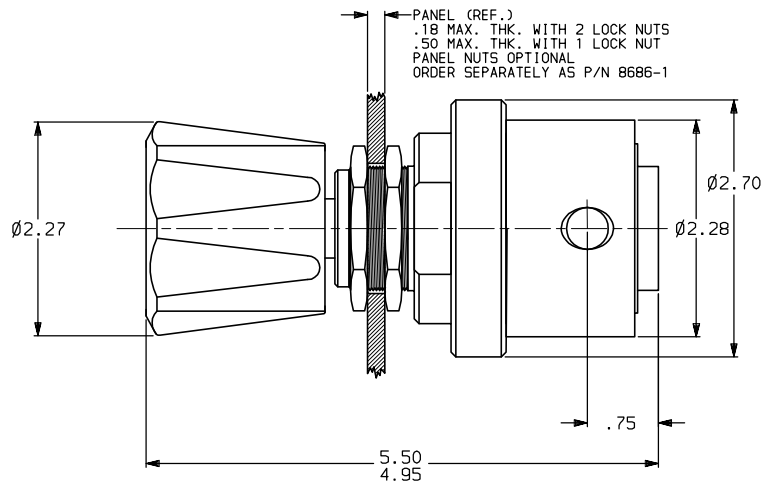
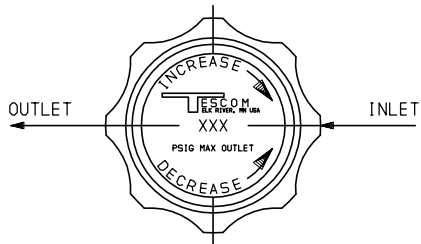


ALL DIMENSIONS REFERENCE

44-47XX-2X



44-4700 SERIES REGULATOR

SPRING LOADED, HAND OPERATED, NEGATIVE BIAS, BACK PRESSURE REGULATOR, WITH METAL TO METAL SEALED DIAPHRAGM.

GENERAL SPECIFICATIONS:

INLET PRESSURE: SEE TABLE II
 DESIGN PROOF PRESSURE: 150% OF RATED PRESSURE
 PRESSURE RATING: PER CRITERIA OF ANSI/ASME B31.3
 OPERATING TEMPERATURE: -40°F TO +165°F
 LEAKAGE: INTERNAL; BUBBLE TIGHT
 EXTERNAL: 2×10^{-8} atm cc/sec. He
 FLOW CAPACITY (Cv): .04
 WEIGHT: APPROXIMATELY 2.75 LBS.

MATERIALS CONTACTING LINE MEDIA:

SEAT: TEFLON
 SPRING (MAINVALVE): SEE TABLE I
 SPRING (BIAS): SEE TABLE I
 BODY: SEE TABLE I
 DIAPHRAGM: SEE TABLE I
 REMAINING PARTS: SEE TABLE I

ASSEMBLY INFORMATION:

FOR ASSEMBLY OF THIS UNIT USE SPEC: A60780-01

KITS:

NONMETALLIC:
 STANDARD 389-6283
 REPAIR:
 NPT 389-6284

SERIES NUMBER

44-4760-24

TABLE I	DASH NO.	BODY MATERIAL	DIAPHRAGM	SPRING (BIAS)	SPRING (MAIN-VALVE)	REMAINING PARTS
	6	316 SST	316 SST	316 SST	316 SST	316 SST

TABLE II	DASH NO.	INLET PRESSURE	PROOF PRESSURE	MARKING INFORMATION
	0	28 IN. VACUUM TO 15 PSIG	150%	15
	1	0-50 PSI	150%	50
	2	0-100 PSI	150%	100
	3	0-150 PSI	150%	150

TABLE III	DASH NO.	IN & OUT PORT TYPE
	1	SAE
	2	NPT
	3	MS33649
	H	HPIC

TABLE IV	DASH NO. / LTR	INLET & OUTLET PORT SIZE
	4	1/4
	6	3/8

NOTES:

- REGULATOR INCORPORATES AN ADJUSTABLE STOP WHICH ALLOWS THE MAXIMUM OUTLET PRESSURE TO BE LIMITED TO ANY VALUE BETWEEN THE MAXIMUM RATED VALUE AND 50% OF THE MAXIMUM RATED VALUE.

REV.	DATE	ECO NO.	BY:	APPR
S	4-28-03	2-03	JLS	TMB
R	7-29-99	833-99	SKO	TWL
P	7-27-99	258-99	EWV	TWL
N	11-16-95	924-95	JLS	JH

TESCOM CORPORATION
 INDUSTRIAL CONTROLS DIVISION
 ELK RIVER, MN USA

INFORMATION CONTAINED ON THIS DOCUMENT IS THE PROPERTY OF TESCOM CORPORATION. NO RIGHTS ARE CONVEYED NOR IS PERMISSION TO DISCLOSE TO OTHERS GIVEN.

UNLESS OTHERWISE SPECIFIED:
 .01 ± .020 ANGLES: ±1°
 .00 ± .010
 .003 ± .005
 SURFACE ROUGHNESS: 100/
 CORNER & FILLET RADI: .005-.020
 THREADS: CLASS 2
 REMOVE ALL BURRS
 MFG. SPEC. 60301

DRAWING MADE IN THIRD ANGLE PROJECTION
 (DO NOT SCALE DRAWING)

MATERIAL: \times

FINISH: \times

DRAWN BY:	CHECKED BY:	APPROVED BY:
JLS 11-16-95	JH 11-16-95	JH 11-16-95

NAME: **INSTALLATION INFO.**

SCALE: 1:1	SIZE: C	NUMBER: 44-47XX-2X
CODE NO. 13669	SHT. 1	OF 1