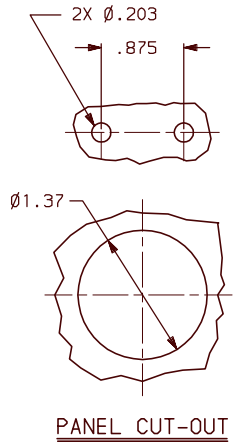
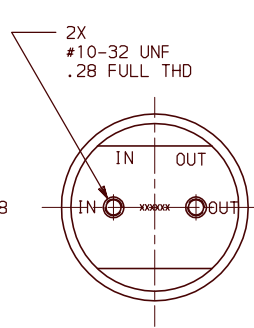
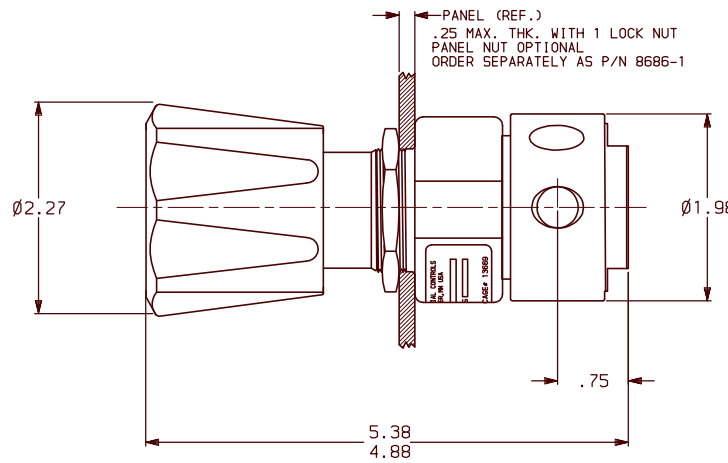
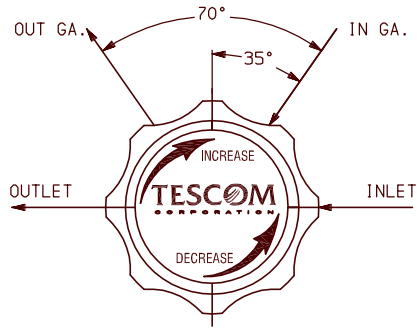


ALL DIMENSIONS REFERENCE

44-50XX-2XX



44-5000 SERIES REGULATOR

SPRING LOADED, HAND OPERATED, NEGATIVE BIAS, PRESSURE REDUCING REGULATOR, WITH METAL TO METAL SEALED DIAPHRAGM

GENERAL SPECIFICATIONS:

- INLET PRESSURE: SEE TABLE V
- OUTLET PRESSURE: SEE TABLE II
- DESIGN PROOF PRESSURE: 150% OF RATED PRESSURE
- PRESSURE RATING: PER CRITERIA OF ANSI/ASME B31.3
- OPERATING TEMPERATURE: -40°F TO +165°F
- LEAKAGE: INTERNAL: BUBBLE TIGHT
EXTERNAL: <2 X 10⁻⁹ atm cc/sec. He
- FLOW CAPACITY (Cv): SEE TABLE V
- WEIGHT: APPROXIMATELY 2 LBS.

MATERIALS CONTACTING LINE MEDIA:

- SEAT: TEFLON
- VALVE GUIDE: 316 SST (44-50XX-XX0 ONLY)
- FRICTION SLEEVE (INNER): TEFLON (44-50XX-XX1 & -XX2)
- FRICTION SLEEVE (OUTER): SEE TABLE I (44-50XX-XX1 & XX2)
- BODY: SEE TABLE I
- DIAPHRAGM: SEE TABLE I
- REMAINING PARTS: SEE TABLE I

NOTES:

- REGULATOR INCORPORATES AN ADJUSTABLE STOP WHICH ALLOWS THE MAXIMUM OUTLET PRESSURE TO BE LIMITED TO ANY VALUE BETWEEN THE MAXIMUM RATED VALUE AND 50% OF THE MAXIMUM RATED VALUE.

ASSEMBLY INFORMATION:

FOR ASSEMBLY OF THIS UNIT USE SPEC: A60857-01

KITS:

NONMETALLIC: (44-50XX-XX0) (44-50XX-XX1) (44-50XX-XX2)
STANDARD 389-6413 389-6341 389-6348

REPAIR:

(44-50XX-XX0) (44-50XX-XX1) (44-50XX-XX2)
NPT BODIES: 389-6414 389-6342 389-6415
BRASS BODIES: 389-6417 389-6418 389-6419

SERIES NUMBER

44-5061-241

DASH NO.	BODY MATERIAL	DIAPHRAGM	SPRING	FRICTION SLEEVE (OUTER)	REMAINING PARTS
1	BRASS	316 SST	316 SST	316 SST	316/BRASS
2					
6	316	316 SST	316 SST	316 SST	316 SST

DASH NO.	OUTLET PRESSURE	PROOF PRESSURE
0	28 IN. VACUUM TO 15 PSIG	150%
1	25 PSI	
2	50 PSI	
3	100 PSI	

DASH NO.	IN & OUT PORT TYPE
2	NPT
3	MS33649

DASH NO.	MAX. INLET PRESSURE	FLOW CAPACITY
0	120 PSI	Cv = .24
1	3500 PSI	Cv = .06
2	400 PSI	Cv = .15

DASH NO. /LTR	INLET & OUTLET PORT SIZE
4	1/4

REV.	DATE	ECO NO.	BY	APPR
AD	5-2-03	2-03	JLS	DP
AC	9-1-01	856-00	JLS	MKS
AB	7-12-01	1066-01	JLS	MKS
AA	1-27-01	667-01	SKO	MKS
Z	11-20-00	1265-00	JLS	MKS
Y	1-24-00	1-00	SKO	MKS
W	12-14-99	1177-99	EWN	MKS
V	9-30-98	871-98	EWN	MKS
U	12-15-95	996-95	ERW	JH

TESCOM CORPORATION
INDUSTRIAL CONTROLS DIVISION
ELIX RIVER, MN USA

INFORMATION CONTAINED ON THIS DOCUMENT IS THE PROPERTY OF TESCOM CORPORATION. NO RIGHTS ARE CONVEYED NOR IS PERMISSION TO DISCLOSE TO OTHERS GIVEN.

UNLESS OTHERWISE SPECIFIED:
 .0 ± .020 ANGLES: ±1°
 .00 ± .010
 .000 ± .005
 SURFACE ROUGHNESS: 100/
 CORNER & FILLET RADI: .005-.020
 THREADS: CLASS 2
 REMOVE ALL BURRS

MFG. SPEC. 60301
DRAWING MADE IN THIRD ANGLE PROJECTION
(DO NOT SCALE DRAWING)

MATERIAL: _____

FINISH: _____

DRAWN BY:	CHECKED BY:	APPROVED BY:
ERW 12-20-95	JH 12-20-95	JH 12-20-95

NAME: **INSTALLATION INFORMATION**

SCALE: 1:1	SIZE: C	NUMBER: 44-50XX-2XX
CODE NO. 13669	SHT. 1	OF 1