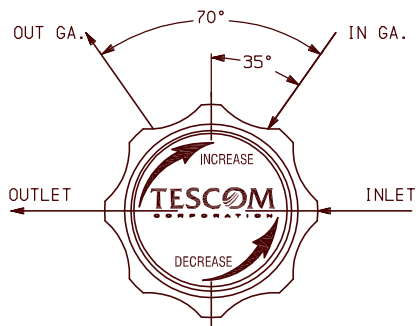


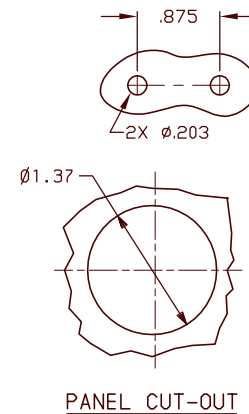
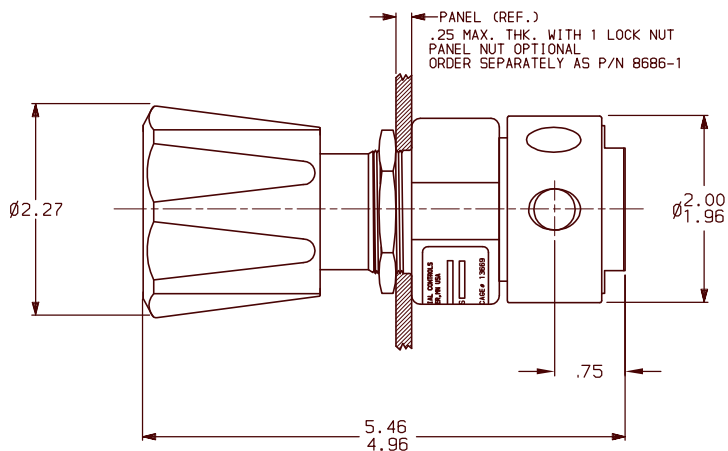
ALL DIMENSIONS REFERENCE

44-52XX-XXX



44-5200 SERIES REGULATOR

SPRING LOADED, HAND OPERATED, PISTON SENSED
PRESSURE REDUCING REGULATOR



GENERAL SPECIFICATIONS:

INLET PRESSURE: SEE TABLE V
OUTLET PRESSURE: SEE TABLE II
DESIGN PROOF PRESSURE: 150% OF RATED PRESSURE
PRESSURE RATING: PER CRITERIA OF ANSI/ASME B31.3
OPERATING TEMPERATURE: -15°F TO +200°F
LEAKAGE: BUBBLE TIGHT
FLOW CAPACITY (CV): SEE TABLE V
WEIGHT: APPROXIMATELY 2 LBS.

MATERIALS CONTACTING LINE MEDIA:

SEAT: VESPEL
O-RING: VITON
BODY: SEE TABLE I
REMAINING PARTS: BRASS & 300 SERIES SST

ASSEMBLY INFORMATION:

FOR ASSEMBLY OF THIS UNIT USE SPEC: A61746-01

KITS:

NONMETALLIC:

389-7015 - - - 44-52XX-XX1
389-7017 - - - 44-52XX-XX2

REPAIR:

389-7016 - - - 44-52XX-XX1
389-7018 - - - 44-52XX-XX2

NOTES:

- REGULATOR INCORPORATES AN ADJUSTABLE STOP WHICH ALLOWS THE MAXIMUM OUTLET PRESSURE TO BE LIMITED TO ANY VALUE BETWEEN THE MAXIMUM RATED VALUE AND 50% OF THE MAXIMUM RATED VALUE.

SERIES NUMBER

44-5215-243

TABLE I	DASH NO.	BODY MATERIAL
	1	BRASS
	6	316 SST

TABLE II	DASH NO.	OUTLET PRESSURE	PROOF PRESSURE
	0	1-25 PSI	150%
	1	1-50 PSI	
	2	2-100 PSI	
	3	2-250 PSI	
	5	5-500 PSI	
	6	5-600 PSI	

TABLE V	DASH NO./LTR	MAX. INLET PRESSURE:	FLOW CAPACITY:
	1	3500 PSI	Cv. = .06
	2	400 PSI	Cv. = .15
	3	3500 PSI	Cv. = .15

TABLE IV	DASH NO./LTR	INLET & OUTLET PORT SIZE
	4	1/4

TABLE III	DASH NO.	INLET & OUTLET PORT TYPE
	2	NPT
	3	MS33649

L 9-24-07 5535-07 SKO DP	<p>INDUSTRIAL CONTROLS DIVISION 1212 BAYVIEW, MN USA</p> <p>INFORMATION CONTAINED ON THIS DOCUMENT IS THE PROPERTY OF TESCOM CORPORATION. NO RIGHTS ARE CONVEYED NOR IS PERMISSION TO DISCLOSE TO OTHERS GIVEN.</p> <p>UNLESS OTHERWISE SPECIFIED: Ø ± .020 ANGES: ±1° .00 ± .010 .000 ± .005 SURFACE ROUGHNESS: 100/ CORNER & FILLET RADI: .005-.020 THREADS: CLASS 2 REMOVE ALL BURRS</p> <p>MFG. SPEC. 60301</p> <p>DRAWING MADE IN THIRD ANGLE PROJECTION (DO NOT SCALE DRAWING)</p>	MATERIAL:
K 3-27-06 1237-06 DKD DP		FINISH:
J 2-21-06 2-06 DKD DP		
H 7-20-01 1086-01 RAG MKS		
G 11-3-00 1267-00 MKS EWN		
F 10-3-00 1187-00 JLS MKS		
E 8-1-00 1042-00 JLS MKS		
D 4-7-00 143-00 EWN MKS		
C 1-26-00 663-00 JLS MKS		
B 1-20-00 627-00 JLS MKS		
REV. DATE ECO NO. BY: APPR		
REVISIONS		
REFERENCE DRAWING(S)		
DRAWN BY: EWN 12-14-99		CHECKED BY: MKS 12-16-99
APPROVED BY: MKS 12-16-99		
MATERIAL: X		
FINISH: X		
INSTALLATION INFO		
SCALE: 1:1	SIZE: C	NUMBER: 44-52XX-XXX
CODE NO. 13669	SHT. 1	OF 1