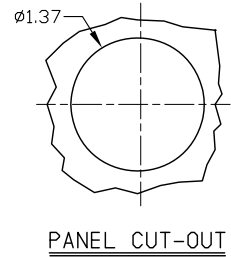
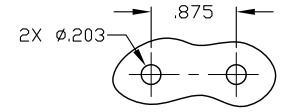
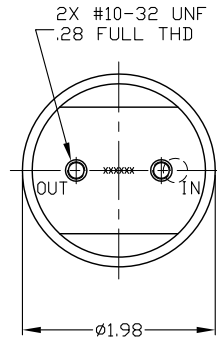
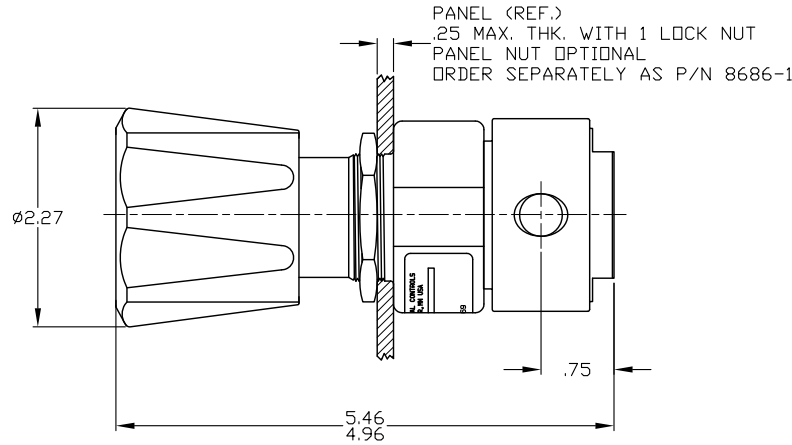
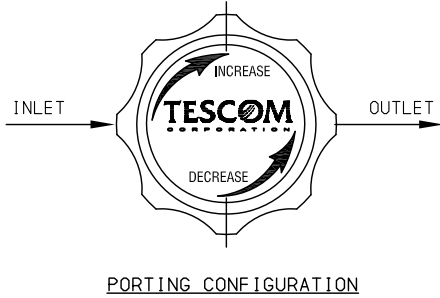


ALL DIMENSIONS REFERENCE

44-55XXXXX



**44-5500 SERIES REGULATOR**  
SPRING LOADED, HAND OPERATED,  
PISTON SENSED BACK PRESSURE REGULATOR.

GENERAL SPECIFICATIONS:

INLET PRESSURE: SEE TABLE II  
DESIGN PROOF PRESSURE: 150% OF RATED PRESSURE  
PRESSURE RATING: PER CRITERIA OF ANSI/ASME B31.3  
OPERATING TEMPERATURE: -15°F TO +200°F  
LEAKAGE: BUBBLE TIGHT  
FLOW CAPACITY (Cv): .30  
WEIGHT: APPROXIMATELY 2 LBS.

MATERIALS CONTACTING LINE MEDIA:

SEAT RETAINER: PEEK  
O-RING: SEE TABLE III  
BODY: SEE TABLE I  
REMAINING PARTS: BRASS & 300 SERIES SST

ASSEMBLY INFORMATION:

FOR ASSEMBLY OF THIS UNIT USE SPEC: A67945-01

SERIES NUMBER  
44-5561T24A

TABLE I	DASH NO.	BODY MATERIAL
	1	BRASS
6	316 SST	

TABLE II	DASH NO.	INLET PRESSURE
	1	0-50 PSI
2	0-100 PSI	
3	0-300 PSI	

TABLE III	DASH LTR.	O-RING MATERIAL
	K	KALREZ
T	VITON	

TABLE VI	DASH LTR.	PORTING CONFIGURATION
	A	NO GAUGE PORTS
F	ONE INLET GAUGE AT 90°	

TABLE V	DASH NO.	INLET & OUTLET PORT SIZE
	4	1/4

TABLE IV	DASH NO.	INLET & OUTLET PORT TYPE
	2	NPT

NOTES:

- REGULATOR INCORPORATES AN ADJUSTABLE STOP WHICH ALLOWS THE MAXIMUM OUTLET PRESSURE TO BE LIMITED TO ANY VALUE BETWEEN THE MAXIMUM RATED VALUE AND 50% OF THE MAXIMUM RATED VALUE.

 INDUSTRIAL CONTROLS DIVISION ELK RIVER, MN USA INFORMATION CONTAINED ON THIS DOCUMENT IS THE PROPERTY OF TESCOM CORPORATION. NO RIGHTS ARE CONVEYED NOR IS PERMISSION TO DISCLOSE TO OTHERS GIVEN. UNLESS OTHERWISE SPECIFIED: .0 ± .020 ANGLES: ±1° .00 ± .010 .000 ± .005 SURFACE ROUGHNESS: 100/ CORNER & FILLET RADII: .005-.020 THREADS: CLASS 2 REMOVE ALL BURRS MFG. SPEC. 60301			MATERIAL:
			FINISH:
C 6-18-08 5331-08 CLR JDJ B 2-8-08 5001-08 RAG JDJ A 3-15-07 119-07 DKD JDJ REV. DATE ECO NO. BY: APPR	DRAWN BY: DKD 3-15-07 CHECKED BY: JDJ 5-4-07 APPROVED BY: JDJ 5-4-07	NAME: <b>INSTALLATION INFO</b> SCALE: 1:1 SIZE NUMBER: 44-55XXXXX CODE NO. 13669 C SHT. 1 OF 1	