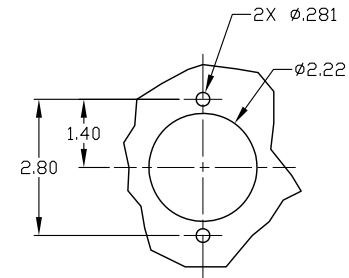
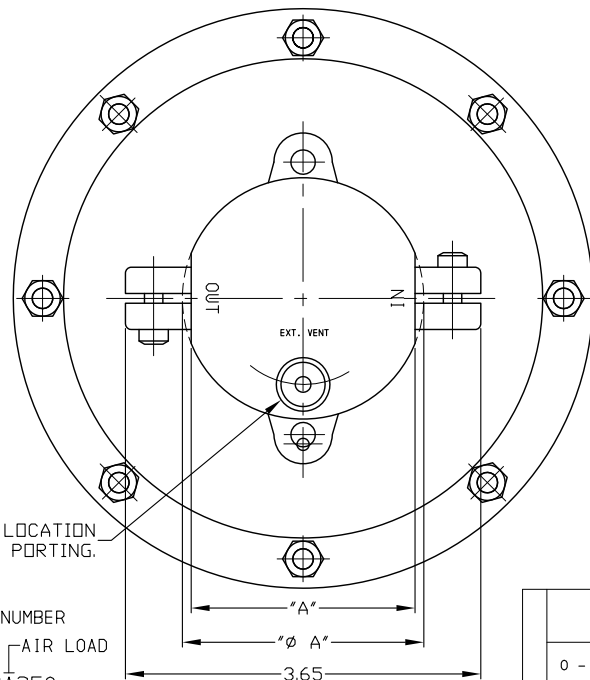
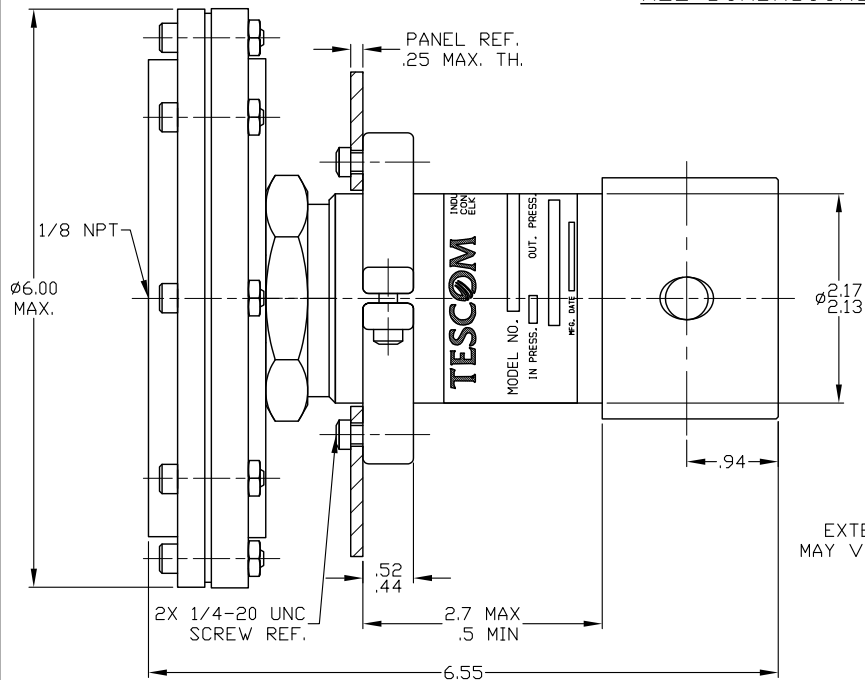


ALL DIMENSIONS REFERENCE

50-20XXXXXX



PANEL CUT-OUT

INLET & OUTLET PORT	"A"
ALL 1/4 EXCEPT NPT	2.30
1/4 NPT	Ø2.48
3/8 NPT	Ø2.48
ALL 3/8 EXCEPT NPT	2.90
1/2 MS33649	2.90
1/2 NPT	Ø3.20

EXTERNAL VENT PORT LOCATION MAY VARY ACCORDING TO PORTING.

SERIES NUMBER
AIR LOAD
50-2091D69A350

50-2000 SERIES REGULATOR

SPRING LOADED, AIR OPERATED, (LOW VOLUME) WITH SEGREGATED NON-ADJUSTABLE VENT AND ROTO SEALS INSTALLED ON SENSOR ASSEMBLY.

GENERAL SPECIFICATIONS:

INLET PRESSURE: SEE TABLE I
 OUTLET PRESSURE: SEE TABLE II
 DESIGN PROOF PRESSURE: 150% OF RATED PRESSURE
 PRESSURE RATING: PER CRITERIA OF ANSI/ASME B31.3
 OPERATING TEMPERATURE: -15°F TO +165°F
 LEAKAGE: BUBBLE TIGHT (NONMETALLIC SEAT)
 2 DROPS/MINUTE @ 150 SUS @ 2500 PSIG (METAL SEAT)
 FLOW CAPACITY (Cv): SEE TABLE VI
 WEIGHT: APPROXIMATELY 5 1/2 LBS
 MAX. OPERATING TORQUE: N/A

MATERIALS CONTACTING LINE MEDIA:

SEAT, MAIN VALVE: SEE TABLE VII
 SEAT, VENT: SEE TABLE VII
 O-RING: SEE TABLE III
 BACK-UP RING: TEFLON (2)
 FILTER: NONE
 BODY: SEE TABLE I
 REMAINING PARTS: 300 SERIES SST & 17-4 SST & NITRONIC 60

ASSEMBLY INFORMATION:

FOR ASSEMBLY OF THIS UNIT USE SPEC: JTA100424-01 (NONMETALLIC SEAT)
 JTA100424-02 (METAL SEAT)

DASH NO.	BODY MATERIAL	MAX. INLET PRESSURE
6	316 SST	10000 PSI
9	316 SST	15000 PSI (2)

DASH NO.	OUTLET PRESSURE
1	200-10000 PSI (SST BODY ONLY)
2	50-6000 PSI
4	15-2500 PSI
5	10-1500 PSI

CODE LTR.	SOFT GOODS MATERIAL		
	DYNAMIC O-RING	STATIC O-RING	BACK-UP RING
D	BUNA-N	BUNA-N	TEFLON
T	VITON	VITON	TEFLON
Z	EP	EP	TEFLON

DASH NO.	IN & OUT PORT TYPE	VENT PORT
1	SAE	1/4 SAE
2	NPT	1/4 NPT
3	MS33649	1/4 MS33649
4	HIGH PRESSURE	1/4 NPT
6	MEDIUM PRESSURE	1/4 NPT

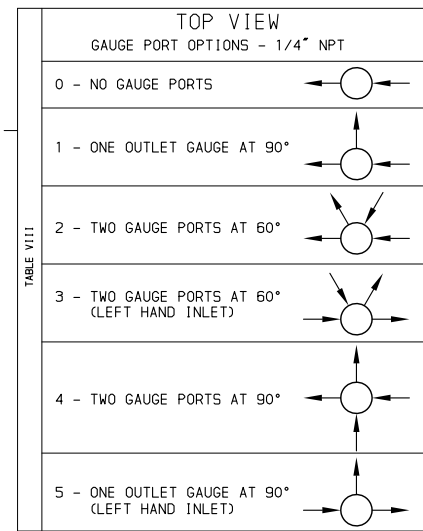
NOTES:

- PRESSURE AT WHICH REGULATOR IS USED MUST BE COMPATIBLE WITH THE PRESSURE RATING OF THE REGULATOR AND PORT SIZE/TYPED PROVIDED.
- 15,000 PSI INLET REQUIRES A CTFE BACK-UP RING ON MAIN VALVE (P/N 1634) AND IS AVAILABLE ONLY IN 1/4 NPT, 1/4 AMINCO 1/4 SLIMLINE, 3/8 AMINCO, 3/8 SLIMLINE, 9/16 AMINCO AND 9/16 SLIMLINE.
- Cv .12: NOT AVAILABLE WITH 15,000 PSI INLET WITH VESPEL SEAT.

CODE LTR.	MAIN VALVE SEAT AND VENT SEAT MATERIAL
5	17-4 SST
7	VESPEL

DASH NO.	FLOW CAPACITY (Cv)
1	.02 (NOT AVAILABLE FOR METAL SEATED MODELS)
2	.06
3	.12 (METAL & VESPEL SEAT ONLY) (3)

DASH NO./LTR	INLET & OUTLET PORT SIZE
4	1/4
6	3/8
8	1/2 (NOT AVAILABLE IN AMINCO, AUTOCLAVE/SLIM-LINE)
9	9/16 (NOT AVAILABLE IN SAE, NPT, MS33649)



		MATERIAL:
INFORMATION CONTAINED ON THIS DOCUMENT IS THE PROPERTY OF TESCOM CORPORATION. NO RIGHTS ARE CONVEYED NOR IS PERMISSION TO DISCLOSE TO OTHERS GIVEN.		FINISH:
UNLESS OTHERWISE SPECIFIED: .0 ± .020 ANGLES: ±1° .00 ± .010 .000 ± .005 SURFACE ROUGHNESS: 100/ CORNER & FILLET RADII: .005-.020 THREADS: CLASS 2 REMOVE ALL BURRS MFG. SPEC. 60301		DRAWN BY: RAG 2-18-08 CHECKED BY: DP 3-7-08 APPROVED BY: DP 3-7-08
REVISIONS REFERENCE DRAWING(S)		NAME: INSTALLATION INFO. SCALE: 1:1 SIZE: C NUMBER: 50-20XXXXXX SHT. 1 OF 1