

54-2100 SERIES REGULATOR

HAND LOADED, BACK PRESSURE REGULATOR.

GENERAL SPECIFICATIONS:

INLET PRESSURE: SEE TABLE II  
 DESIGN PROOF PRESSURE: 150% OF RATED PRESSURE  
 PRESSURE RATING: PER CRITERIA OF ANSI/ASME B31.3  
 OPERATING TEMPERATURE: SEE TABLE III  
 LEAKAGE: 2 DROPS/MIN. @ 150 S.U.S. @ 2500 PSI  
 FLOW CAPACITY (Cv): .08  
 WEIGHT: APPROXIMATELY 5 LBS

MATERIALS CONTACTING LINE MEDIA:

SEAT & POPPET: 17-4 SST  
 SEALS: VALVE SEAL VESPEL  
 SENSOR SEAL FOR "0" PRESS. RANGE - VESPEL  
 SENSOR SEAL FOR "1-7" PRESS RANGE - CTFE  
 O-RING: SEE TABLE III  
 BACK-UP RING: TEFLON  
 FOR "0" PRESS. RANGE - CTFE  
 FOR "5-7" PRESS RANGE - NONE REQ'D  
 BACK-UP RINGS NOT USED/TEFLON O-RINGS

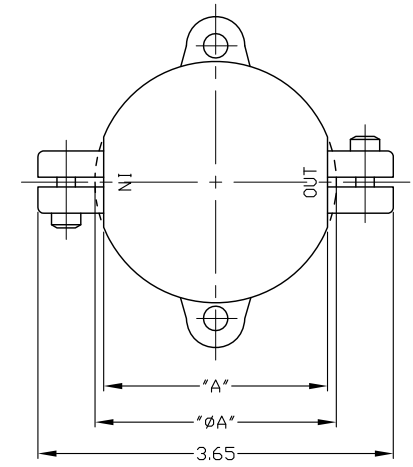
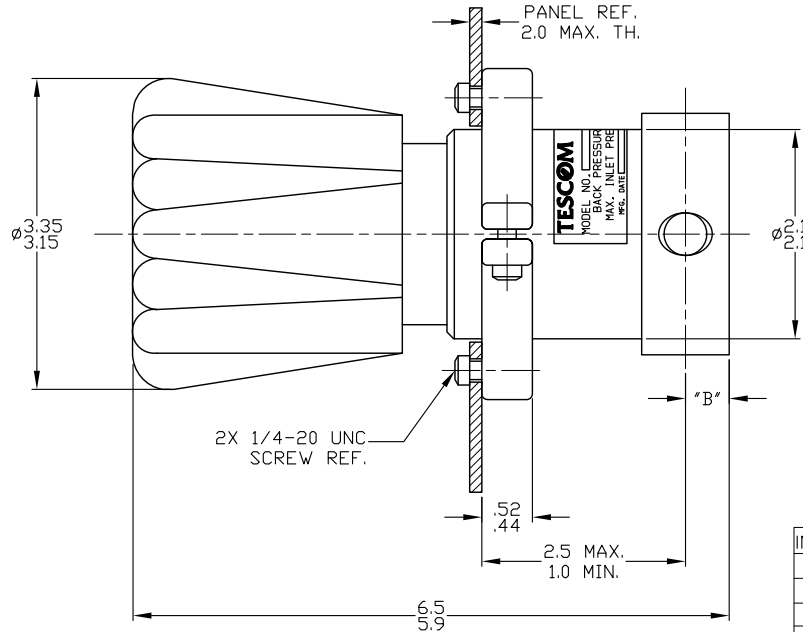
BODY: SEE TABLE I  
 REMAINING PARTS: 300 SERIES SST

ASSEMBLY INFORMATION:

FOR ASSEMBLY OF THIS UNIT USE SPEC: A41192-01

NOTES:

- PRESSURE AT WHICH REGULATOR IS USED MUST BE COMPATIBLE WITH THE PRESSURE RATING OF THE REGULATOR PORT SIZE/TYPE PROVIDED.
- 15,000 PSI INLET PSI WITH 1/4 AMINCO, 1/4 SLIMLINE, 1/4 NPT, 3/8 AMINCO 3/8 SLIMLINE, 9/16 AMINCO, 9/16 SLIMLINE, 3/4 AMINCO AND 3/4 SLIMLINE ONLY.
- 10,000 PSI INLET CAN NOT BE USED WITH 3/8 SAE OR 3/8 MS33649 PORTS.



INLET & OUTLET PORT	"A"	"B"
1/4 EXCEPT NPT	2.30	.45
1/4 & 3/8 NPT	ø2.48	.45
3/8 SAE & MS33649	2.30	.45
3/8 SLIMLINE (15,000 PSI ONLY)	ø2.48	.45
1/2 NPT	ø3.35/3.31	.70
1/2 SAE & MS33649	2.164	.70
3/8 AMINCO & SLIMLINE (≤10,000 PSI)	3.14/3.06	.70
3/8 AMINCO (15,000 PSI ONLY)	3.14/3.06	.70
9/16 SLIMLINE	3.08	.70
3/4 SLIMLINE	ø3.35/3.31	.70

SERIES NUMBER  
54-2162024

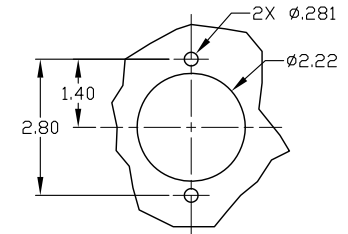
TABLE I	DASH NO.	BODY MATERIAL
	6	316 SST

TABLE II	DASH NO.	INLET PRESSURE
	0	300-15000
	1	200-10000
	2	50-6000
	3	25-4000
	4	15-2500
	5	10-1500
	6	0-800
	7	0-500

TABLE III	LETTER CODE	SOFT GOODS MATERIAL			
		O-RINGS		SEAT	OPERATING TEMP.
	D	BUNA-N	BUNA-N	17-4 SST	-65°F TO +165°F
	T	VITON-A	VITON-A	17-4 SST	-15°F TO +200°F
	W	TEFLON	TEFLON	17-4 SST	-40°F TO +165°F
	Z	E.P.	E.P.	17-4 SST	-15°F TO +200°F
	J	TEF. ENCAP.	VITON-A	17-4 SST	-40°F TO +165°F
	U	URETHANE	URETHANE	17-4 SST	-40°F TO +165°F
	V	KELREZ	KELREZ	17-4 SST	0°F TO +200°F

TABLE V	DASH NO.	INLET & OUTLET PORT SIZE
	4	1/4
	6	3/8
	8	1/2 NPT/MS33649/SAE ONLY
	9	9/16 AMINCO/SLIMLINE ONLY
	12	3/4 AMINCO/SLIMLINE ONLY

TABLE IV	DASH NO.	INLET & OUTLET PORT TYPE
	1	SAE
	2	NPT
	3	MS33649
	4	AMINCO
	6	SLIMLINE



PANEL CUT-OUT

AS 5-14-08	1697-08	DKD	DP	
AR 4-2-07	2-07	DKD	DP	
AP 8-2-06	1498-06	SKO	MKS	INDUSTRIAL CONTROLS DIVISION ELK RIVER, MN USA
AN 11-15-05	557-05	DKD	DP	INFORMATION CONTAINED ON THIS DOCUMENT IS THE PROPERTY OF TESCOM CORPORATION. NO RIGHTS ARE CONVEYED NOR IS PERMISSION TO DISCLOSE TO OTHERS GIVEN.
AM 10-4-05	1-05	SKO	MKS	
AL 6-7-05	1386-05	SKO	MKS	UNLESS OTHERWISE SPECIFIED: .0 ± .020 ANGLES: ±1° .00 ± .010 .000 ± .005
AK 5-24-04	2-04	EWN	MKS	
AJ 3-28-03	1-03	SKO	MKS	SURFACE ROUGHNESS: 100/ CORNER & FILLET RADII: .005-.020
AH 11-20-02	1274-02	JLS	MKS	
AG 1-10-03	1021-03	JLS	MKS	THREADS: CLASS 2 REMOVE ALL BURRS MFG. SPEC. 60301
REV.	DATE	ECO NO.	BY: APPR	
REVISIONS				DRAWING MADE IN THIRD ANGLE PROJECTION (DO NOT SCALE DRAWING)
REFERENCE DRAWING(S)				

MATERIAL:		
FINISH:		
DRAWN BY:	CHECKED BY:	APPROVED BY:
SJW 6-29-95	MKS 6-29-95	MKS 6-29-95
NAME		
INSTALLATION INFO.		
SCALE: 1:1	SIZE NUMBER	54-21XXXX
CODE NO. 13669	SHT. 1	OF 1