

ALL DIMENSIONS REFERENCE

54-22XXXXXXA

54-2200 SERIES REGULATOR

AIR LOADED PRESSURE REDUCING REGULATOR
WITH INTEGRAL SEGREGATED NON-ADJUSTABLE VENT/RELIEF VALVE.

GENERAL SPECIFICATIONS:

AIR LOAD AT 100 PSIG MAX.
INLET PRESSURE: 8000 PSI MAX.
OUTLET PRESSURE: SEE TABLE II
PROOF PRESSURE: 150% MAX. OPERATING PRESSURE
PRESSURE RATING: PER CRITERIA OF ANSI/ASME B31.3
OPERATING TEMPERATURE: SEE TABLE III
MAX. ALLOWABLE LEAKAGE: 2 DROPS/MINUTE @150 S.U.S. @2500 P.S.I.
WEIGHT: APPROX 30 LBS.

MATERIALS CONTACTING LINE MEDIA:

O-RINGS: SEE TABLE III
BACK-UP RINGS: TEFLON
SEAT: 17-4 PH SST
POPPET & SENSOR: 17-4 PH SST
REGULATOR BODY: SEE TABLE I
REMAINING PARTS: 300 SERIES SST

ASSEMBLY INFORMATION

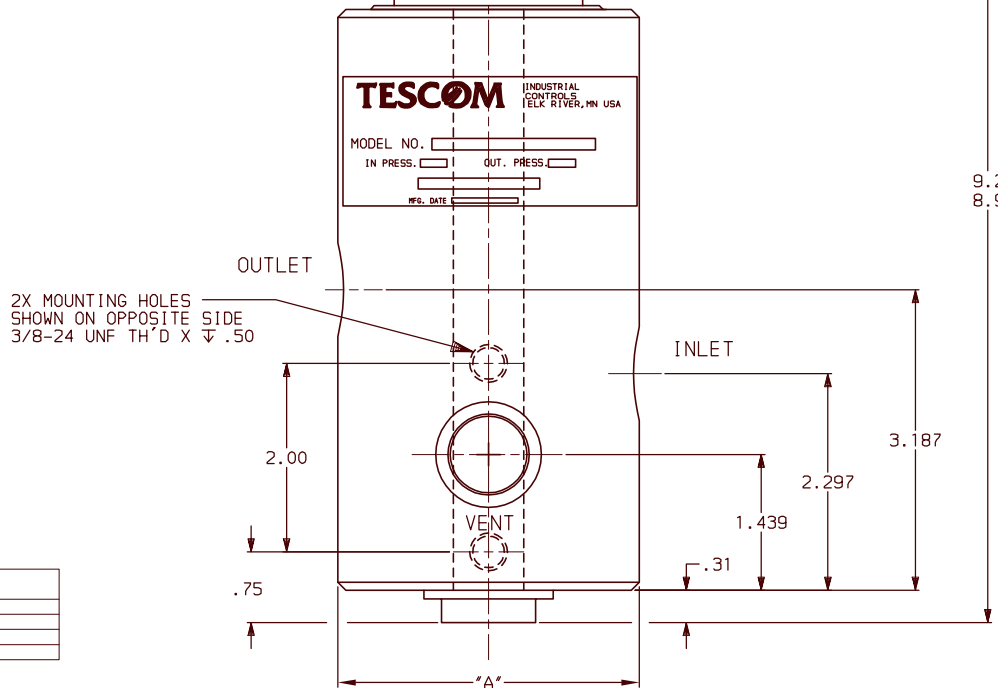
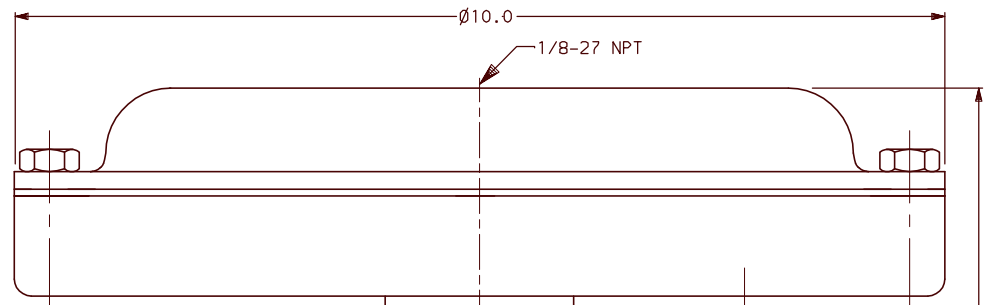
FOR ASSEMBLY OF THIS UNIT USE SPEC: A60184-03

NONMETALLIC KIT

389-2533 - - 54-22X3D 389-2533-* - - 54-22X3*XX
389-2584 - - 54-22X5D 389-2584-* - - 54-22X5*XX
389-6246 - - 54-22X7D & 54-22X8D 389-6246-* - - 54-22X7*XX & 54-22X8*XX

REPAIR KIT

389-6547-* - - 54-22X3*XX
389-6847-* - - 54-22X5*XX
389-6957-* - - 54-22X7*XX & 54-22X8*XX



SERIES NUMBER
54-2223D212A

TABLE I	DASH NO.	BODY MATERIAL
	2	303 SST
	6	316 SST

TABLE IV	DASH NO./LTR	INLET & OUTLET PORT SIZE
	12	3/4

TABLE V	DASH NO.	IN & OUT PORT TYPE	DIM "A"
	1	SAE	3.95
	2	NPT	3.2
	3	M533649	3.95

TABLE II	DASH NO.	OUTLET PRESSURE RANGE	RATIO	WEAR INSERT ON BACK-UP SENSOR
	3	3000 PSI	35:1	NO
	5	5000 PSI	65:1	YES
	8	8000 PSI	105:1	YES

TABLE III	LETTER CODE	SOFT GOODS MATERIAL			OPERATING TEMPERATURE
		O-RINGS	SEAT		
	A	TEFLON	VITON	17-4 SST	0°F TO 165°F
	D	BUNA-N	BUNA-N	17-4 SST	-40°F TO 165°F
	J	TEF-ENCAP	VITON	17-4 SST	0°F TO 165°F
	T	VITON	VITON	17-4 SST	0°F TO 250°F
	V	KALREZ	KALREZ	17-4 SST	0°F TO 300°F
	Z	EP	EP	17-4 SST	-40°F TO 200°F

AS 7-15-04	1541-04	JK	TWL	TESCOM CORPORATION INDUSTRIAL CONTROLS DIVISION ELK RIVER, MN USA INFORMATION CONTAINED ON THIS DOCUMENT IS THE PROPERTY OF TESCOM CORPORATION. NO RIGHTS ARE CONVEYED NOR IS PERMISSION TO DISCLOSE TO OTHERS GIVEN. UNLESS OTHERWISE SPECIFIED: .0 ± .020 ANGLES: ±1° .00 ± .010 .000 ± .005 SURFACE ROUGHNESS: 100/ CORNER & FILLET RADI: .005-.020 THREADS: CLASS 2 REMOVE ALL BURRS MFG. SPEC. 60301 DRAWING MADE IN THIRD ANGLE PROJECTION (DO NOT SCALE DRAWING)
AR 6-18-04	1489-04	JK	TWL	
AP 12-22-03	2-03	JK	CRN	
AN 11-26-03	527-03	EWN	CRN	
AM 11-3-03	1789-03	EWN	CRN	
AL 9-5-02	1121-02	EWN	CRN	
AK 12-20-01	1412-01	JLS	CRN	
AJ 8-17-00	326-00	SKO	CRN	
AH 4-30-00	172-00	JLS	MKS	
AG 10-6-98	1-98	SKO	MKS	
REV.	DATE	ECCO NO.	BY:	APPR
REVISIONS				
REFERENCE DRAWING(S)				

MATERIAL:	X	
FINISH:	X	
DRAWN BY:	CHKD BY:	APPROVED BY:
SJW 7-19-95	MKS 7-21-95	MKS 7-21-95
NAME		
INSTALLATION INFO.		
SCALE: 1:1	SIZE	NUMBER
CODE NO. 13669	C	54-22XXXXXXA
SHT. 1	OF	1