

**54-2300 SERIES REGULATOR:**

AIR LOADED BACK PRESSURE REGULATOR

ALL DIMENSIONS REFERENCE

GENERAL SPECIFICATIONS:

INLET PRESSURE: SEE TABLE II  
 PROOF PRESSURE: 150% MAX. OPERATING PRESSURE  
 PRESSURE RATING: PER CRITERIA OF ANSI/ASME B31.3  
 OPERATING TEMPERATURE: SEE TABLE III (MEDIA ONLY)  
 MAX. ALLOWABLE LEAKAGE: 2 DROPS/MINUTE @150 S.U.S. @ 2500 P.S.I.  
 WEIGHT: APPROX 30 LBS.

MATERIALS CONTACTING LINE MEDIA:

O-RINGS: SEE TABLE III  
 BACK-UP RINGS: TEFLON  
 SEAT: 17-4 PH SST  
 POPPET & SENSOR: 17-4 PH SST  
 REGULATOR BODY: SEE TABLE I  
 REMAINING PARTS: 303 SST

ASSEMBLY INFORMATION

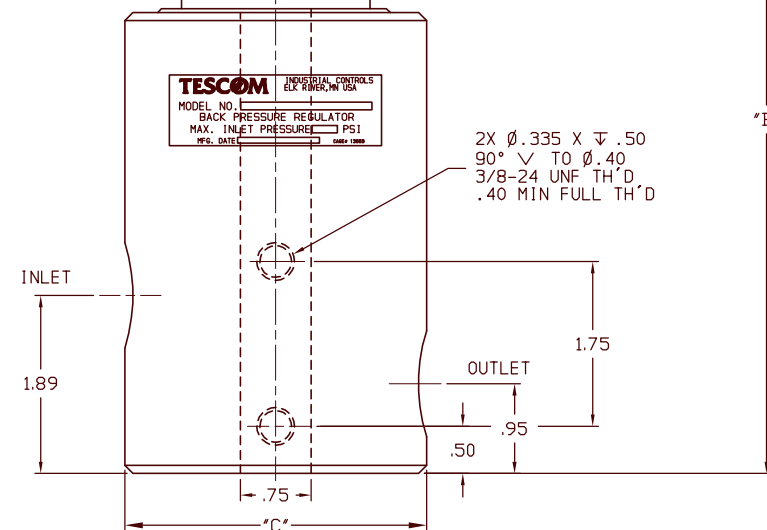
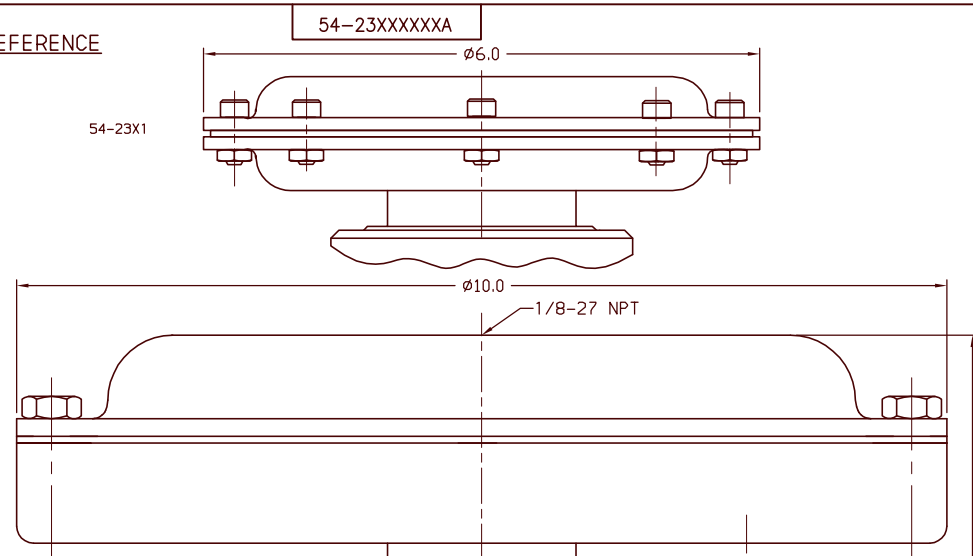
FOR ASSEMBLY OF THIS UNIT USE SPEC: A60174-03 FOR: 54-23X3 - 54-23X9  
A60174-13 FOR: 54-23X1

KITS:

NONMETALLIC:

\* SEE TABLE III CODE LTR.  
 389-6882-\* - - 54-23X1\*XX  
 389-2634-\* - - 54-23X3\*XX  
 389-2635-\* - - 54-23X5\*XX  
 389-2752-\* - - 54-23X9\*XX

PART NUMBER	"B"	"C"
54-23X1	6.776.5	
54-23X3 THRU 54-23X9	7.777.6	
1/2 SAE		Ø3.20
3/4 SAE		3.50
1/2 NPT, 3/4 NPT		Ø3.20



SERIES NUMBER  
 AIR LOAD

DASH NO.	BODY MATERIAL
2	303 SST
6	316 SST

DASH NO.	INLET PRESSURE RANGE
1	1500 PSI
3	2500 PSI
5	5000 PSI
9	10000 PSI

DASH NO./LTR	INLET & OUTLET PORT SIZE
08	1/2
12	3/4

DASH NO.	IN & OUT PORT TYPE
1	SAE
2	NPT

LETTER CODE	SOFT GOODS MATERIAL O-RINGS			TEMPERATURE RANGE (MEDIA ONLY)
	DYNAMIC	STATIC	SEAT	
D	BUNA-N	BUNA-N	17-4 SST	-40°F TO +165°F
T	VITON-A	VITON-A	17-4 SST	0°F TO +250°F
V	KALREZ	KALREZ	17-4 SST	0°F TO +250°F
Z	EP	EP	17-4 SST	-40°F TO +200°F

REV.	DATE	ECO NO.	BY:	APPR
BF	3-13-06	1208-06	DKD	DP
BE	7-21-05	343-05	RAG	DP
BD	4-28-05	1285-05	SKO	TWL
BC	1-26-05	1049-05	DKD	DP
BB	9-21-04	2-04	EWN	DP
AY	11-26-03	527-03	EWN	CRN

**TESCOM CORPORATION**  
 INDUSTRIAL CONTROLS DIVISION  
 ELK RIVER, MN USA

INFORMATION CONTAINED ON THIS DOCUMENT IS THE PROPERTY OF TESCOM CORPORATION. NO RIGHTS ARE CONVEYED NOR IS PERMISSION TO DISCLOSE TO OTHERS GIVEN.

UNLESS OTHERWISE SPECIFIED:  
 .0 ± .020 ANGLES: ±1°  
 .00 ± .010  
 .000 ± .005  
 SURFACE ROUGHNESS: 100/  
 CORNER & FILLET RADI: .005-.020  
 THREADS: CLASS 2  
 REMOVE ALL BURRS  
 MFG. SPEC. 80301

DRAWING MADE IN THIRD ANGLE PROJECTION  
 (DO NOT SCALE DRAWING)

MATERIAL:  $\lambda$

FINISH:  $\lambda$

DRAWN BY: SJW	CHECKED BY: DP	APPROVED BY: DP
9-13-95	9-14-95	9-14-95

NAME: **INSTALLATION INFO.**

SCALE: 1:1	SIZE: C	NUMBER: 54-23XXXXXA
CODE NO. 13669	SHT. 1	OF 1