

ALL DIMENSIONS REFERENCE

54-27XXXXXA

54-2700 SERIES REGULATOR:
AIR LOADED BACK PRESSURE REGULATOR

GENERAL SPECIFICATIONS:

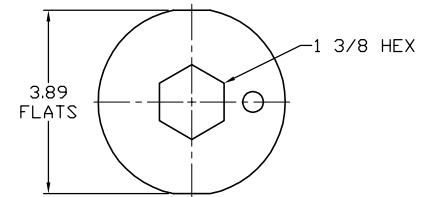
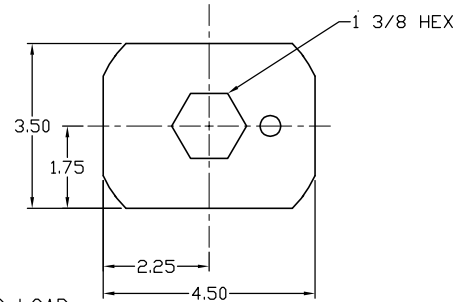
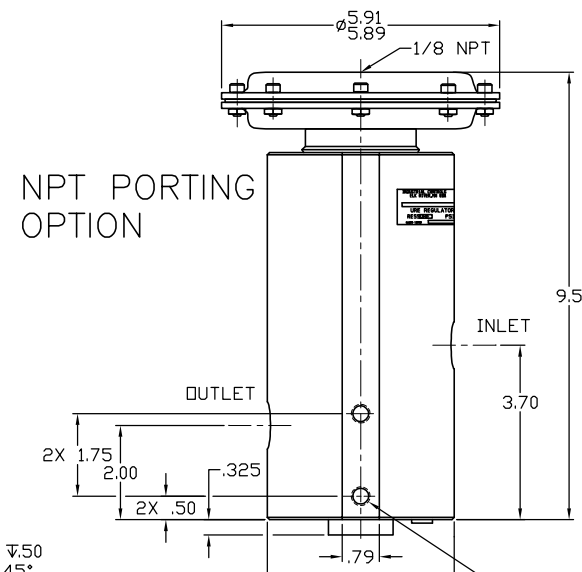
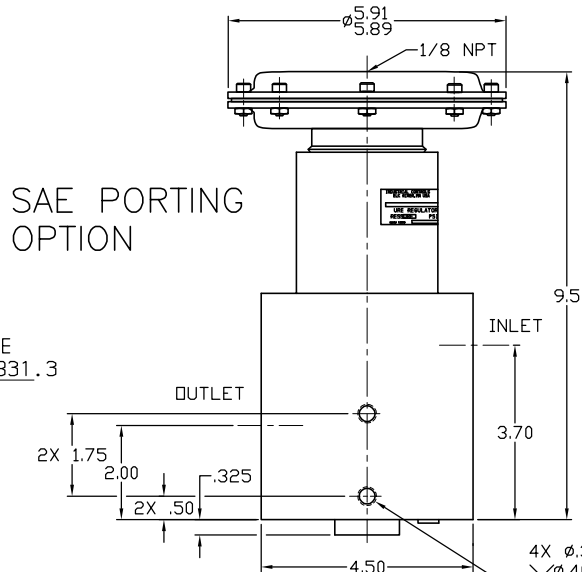
INLET PRESSURE: SEE TABLE II
 PROOF PRESSURE: 150% MAX. OPERATING PRESSURE
 PRESSURE RATING: PER CRITERIA OF ANSI/ASME B31.3
 OPERATING TEMPERATURE: SEE TABLE III
 MAX. ALLOWABLE LEAKAGE: BUBBLE TIGHT
 FLOW CAPACITY (CV) : 5.0
 WEIGHT: APPROX 30 LBS.
 AIR OPERATOR PRESSURE: 100 PSIG MAX.

MATERIALS CONTACTING LINE MEDIA:

O-RINGS: SEE TABLE III
 BACK-UP RINGS: TEFLON
 SEAT: SEE TABLE III
 POPPET & SENSOR: 17-4 PH SST
 REGULATOR BODY: SEE TABLE I
 REMAINING PARTS: 303 SST

ASSEMBLY INFORMATION

FOR ASSEMBLY OF THIS UNIT USE SPEC: A60978-03



4X ϕ .335 ∇ .50
 ∇ ϕ .40 X 45°
 3/8-24 UNF TH'D
 ∇ .40 MIN.
 (FRONT & BACK)

4X ϕ .335 ∇ .50
 ∇ ϕ .40 X 45°
 3/8-24 UNF TH'D
 ∇ .40 MIN.

SERIES NUMBER
 AIR LOAD
 54-2729Z216A

TABLE I	DASH NO.	BODY MATERIAL
	2	303 SERIES SST
	6	316 SERIES SST

TABLE II	DASH NO.	INLET PRESSURE
	9	500 PSI

TABLE III	LETTER CODE	SOFT GOODS MATERIAL		
		O-RINGS	SEAT	TEMPERATURE
	D	BUNA-N	PEEK	-65° TO 165° F
	T	VITON	PEEK	-10° TO 300° F
	Z	EP	PEEK	-65° TO 300° F
	V	VITON	VESPEL SP1	-10° TO 300° F

TABLE IV	DASH NO./LTR	INLET & OUTLET PORT SIZE
	16	1"

TABLE V	DASH NO.	IN & OUT PORT TYPE
	1	SAE
	2	NPT

REV.	DATE	ECO NO.	BY:	APPR
N	6-16-04	1482-04	EWN	CRN
M	8-1-03	1494-03	JKK	CRN
L	5-14-02	891-02	JLS	CRN

TESCOM CORPORATION
 INDUSTRIAL CONTROLS DIVISION
 BELX RIVER, MN USA

INFORMATION CONTAINED ON THIS DOCUMENT IS THE PROPERTY OF TESCOM CORPORATION. NO RIGHTS ARE CONVEYED NOR IS PERMISSION TO DISCLOSE TO OTHERS GIVEN.

UNLESS OTHERWISE SPECIFIED:
 .0 ± .020 ANGLES: ±1°
 .00 ± .010
 .000 ± .005
 SURFACE ROUGHNESS: 100/
 CORNER & FILLET RADI: .005-.020
 THREADS: CLASS 2
 REMOVE ALL BURRS
 MFG. SPEC. 00301

DRAWING MADE IN THIRD ANGLE PROJECTION
 (DO NOT SCALE DRAWING)

MATERIAL:		
FINISH:		
DRAWN BY: EWN	CHECKED BY: CRN	APPROVED BY: CRN
NAME INSTALLATION INFO.		
SCALE: 1:1	SIZE C	NUMBER 54-27XXXXXA
CODE NO. 13669	SHT. 1	OF 1