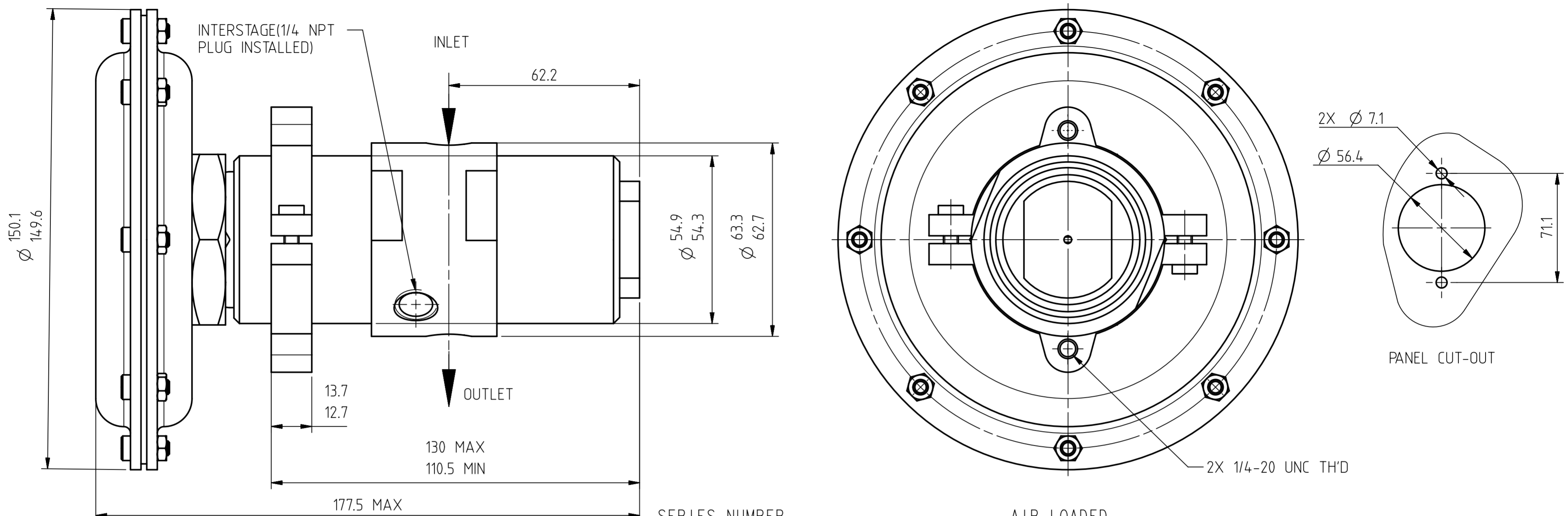


CONFIDENTIAL: This document/program, including the content, is property of Emerson Process Management and must be held in strict confidence and properly safeguarded by the recipient at all times. It may not be copied or reproduced, or provided or revealed to any other part, except with prior authorization of an appropriate officer of Emerson Process Management and any authorized copy or reproduction must include this admonition. The recipient may use the same only for the purpose for which Emerson Process Management has provided it to the recipient. The document must be returned to Emerson Process Management upon request. By accepting this document/program, the recipient agrees to the foregoing.



54-3500 SERIES REGULATOR
 AIR LOADED, DUAL STAGE BACK PRESSURE REGULATOR

GENERAL SPECIFICATIONS:
 INLET PRESSURE: SEE TABLE II
 DESIGN PROOF PRESSURE: 150% OF RATED PRESSURE
 PRESSURE RATING: PER CRITERIA OF ANSI/ASME B31.3
 OPERATING TEMPERATURE: -26° C TO +60° C (-15° F TO +140° F)
 LEAKAGE: BUBBLE TIGHT
 FLOW CAPACITY (Cv): SEE TABLE VI
 WEIGHT: APPROXIMATELY 2.7 KG
 MAX. OPERATING TORQUE: 4.5 Nm

MATERIAL CONTACTING LINE MEDIA:
 SEAT, MAIN VALVE: SEE TABLE VII
 SEAL: VESPEL
 O-RING: SEE TABLE III
 BACK-UP RING: TEFLON
 BODY: SEE TABLE I
 REMAINING PARTS: 300 SERIES SST

ASSEMBLY INFORMATION:
 FOR ASSEMBLY OF THIS UNIT USE SPEC: D53025

- NOTES:**
- PRESSURE AT WHICH REGULATOR IS USED MUST BE COMPATIBLE WITH THE PRESSURE RATING OF THE REGULATOR AND PORT SIZE/TYPE PROVIDED.
 - OPTIONAL SPRING LOADED AVAILABLE AS WELL, CONTACT SALES FOR FURTHER INFORMATION.

SERIES NUMBER: 54-3561T24A150 AIR LOADED

TABLE I	DASH NO.	BODY MATERIAL
	6	316 SST

TABLE II	DASH NO.	INLET PRESSURE
	1	1.4 - 69 MPa 14 - 690 BAR 200 - 10000 PSIG
	2	0.34 - 41.4 MPa 3.4 - 414 BAR 50 - 6000 PSIG

TABLE III	DASH NO.	SOFT GOODS MATERIAL		
		O-RING	BACK-UP RING	
	B	BUNA-A	BUNA-A	TEFLON
	T	VITON	VITON	TEFLON
	U	URETHANE	URETHANE	TEFLON
	V	KELREZ	KELREZ	TEFLON
	Z	EP	EP	TEFLON

TABLE IV	DASH NO.	INLET & OUTLET PORT TYPE
	2	NPTF
	6	MEDIUM PRESSURE

TABLE VIII	DASH NO.	GAUGE PORT OPTIONS
	0	None

TABLE VII	DASH NO.	MAIN VALVE SEAL
	0	CTFE
	5	17-4 SST
	7	VESPEL SP-1
	8	PEEK

TABLE VI	DASH NO.	FLOW CAPACITY
	1	Cv = 0.08

TABLE V	DASH NO.	INLET & OUTLET PORT SIZE
	4	1/4"
	6	3/8"

UNLESS OTHERWISE SPECIFIED TOLERANCE: ± _ ANGLES: ± _ ° SURFACE FINISH: _ Ra BREAK SHARP CORNERS: _ MAX		© 2012, 2013 UNITS: MILLIMETERS ASME Y14.5M	INSTALLATION INFO. DUAL STAGE BACK PRESSURE REGULATOR (E1) 54-35XX-XXXX	
DO NOT SCALE THIS DWG			PROJECT:	SHEET: 1 OF 1
REVISION	ECRN NO 6307-12	APV	DWN xiao 07-May-2012	DRAWING
	CHANGES E1 by TBE	CHK		REV
	APV BY molbrisch 24-Apr-2013	DWG STATUS:	APV frapsch 08-May-2012	D53059

TESCOM