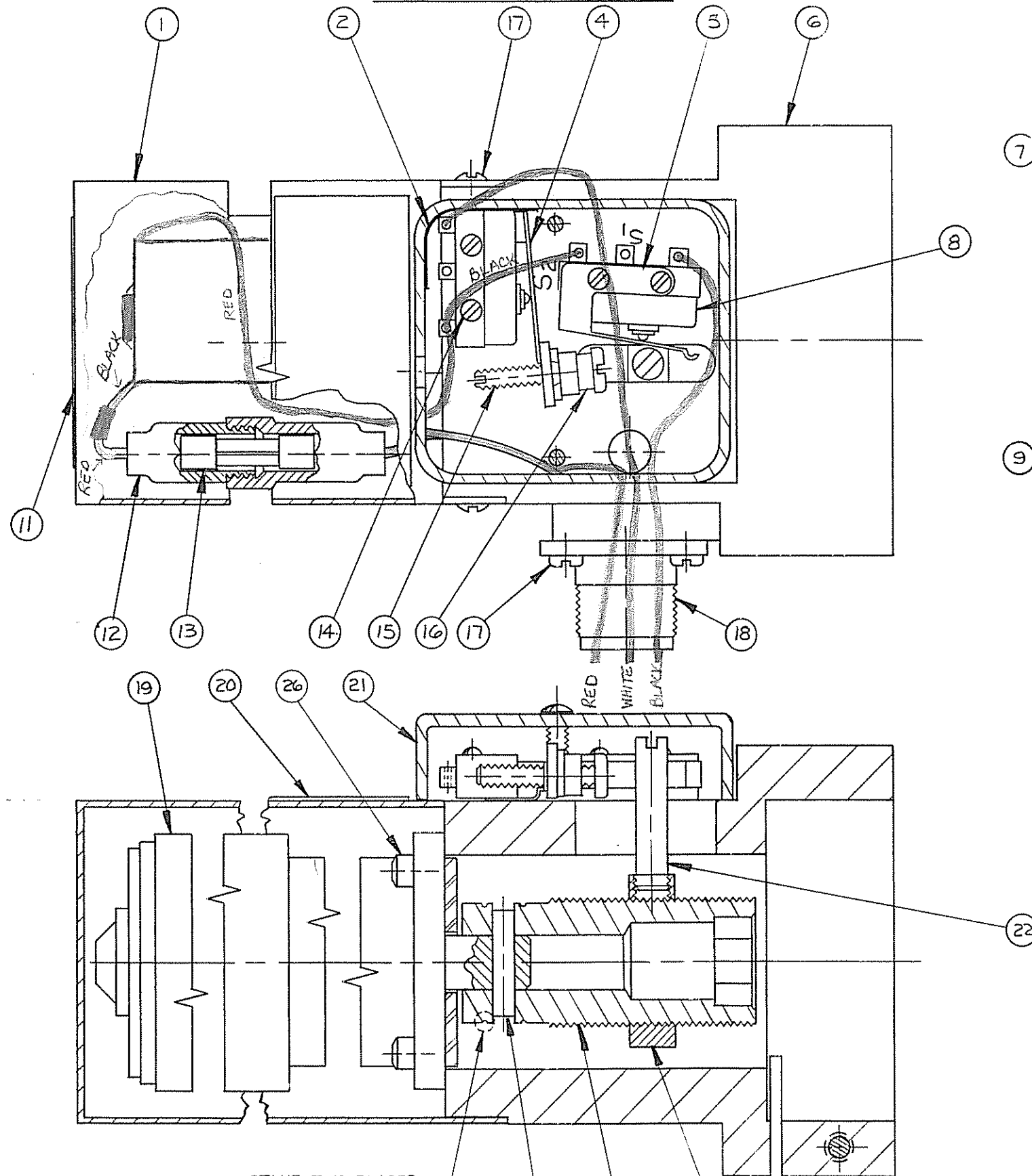
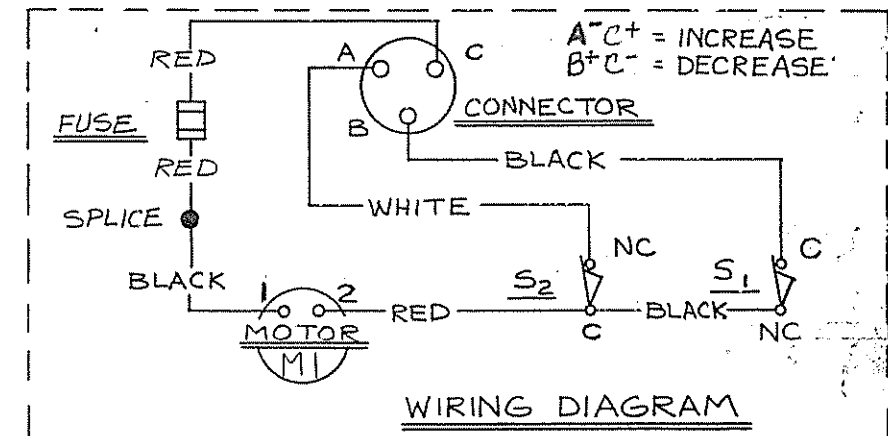
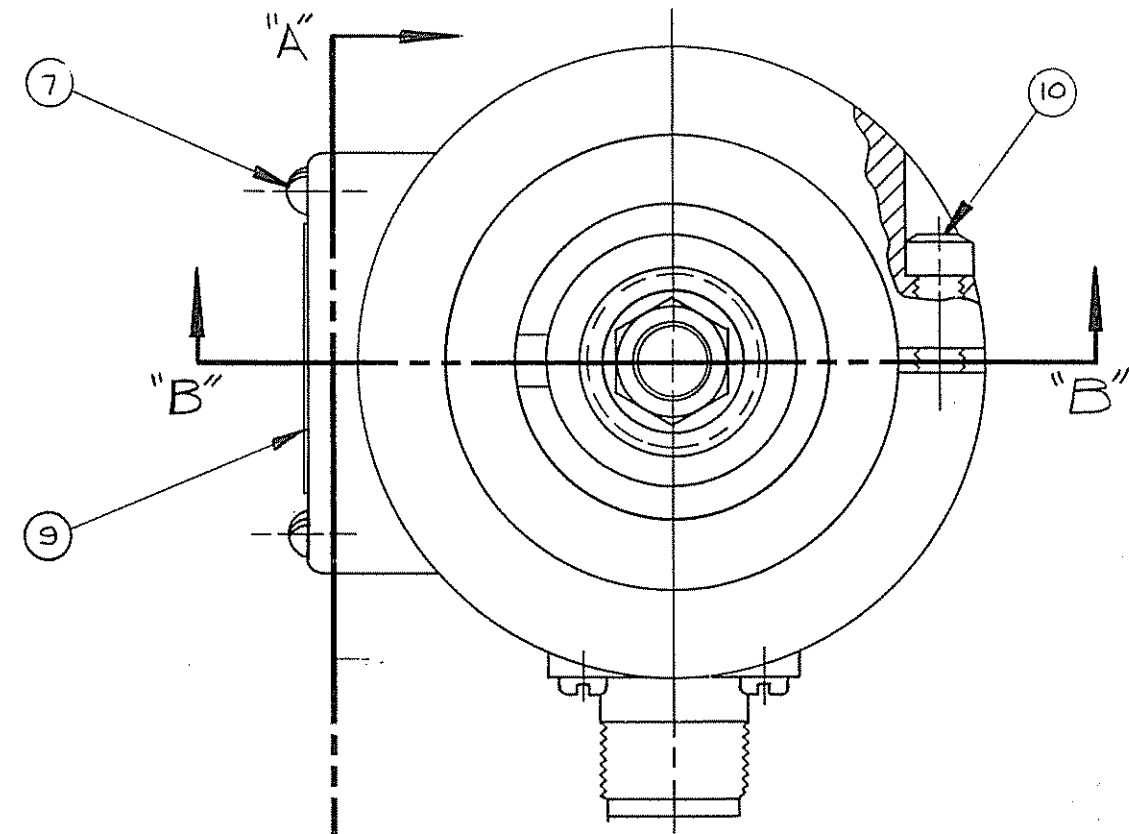


SECTION "A-A"



SECTION "B-B"



- NOTES:
 1. FOR TEST INFORMATION REF. SPEC. 4387.
 2. REF. SPEC. 4388 FOR WIRE TABULATION.
 3. PARTS 2661, 3888, & 3889 NOT SHOWN, ARE TO BE PACKAGED WITH UNIT.

FIND NO.	PART NAME	NO. REQ'D.	DWG. SIZE	PART NO.	REMARKS
----------	-----------	------------	-----------	----------	---------

J 8-4-96	736-98	CPS	UNLESS OTHERWISE SPECIFIED:	MAT'L: Z
H 6-1-95	621-95	LRN	D = .020 ANGLE: 30°	FINISH: Z
G 9-10-93	785-93	74	.000 ± .010	DRAWN: LCA 14-22-85
F 7-2-93	493-93	74	.000 ± .005	CHECK: BL 14-30-85
E 3-27-91	2002-91	74	SURFACE ROUGHNESS 100	APPR: L7 14-10-85
D 12/17/90	911-90	74	CORNER & FILLET RADI: .005-.020	NAME: GENERAL ASSY.
C 5-22-87	336-87	74	THREADS: CLASS 2	NUMBER: 70-2000
B 11-22-85	773-85	74	REMOVE ALL BURRS	REV: 3
A 4-29-85	237-85	74	(DO NOT SCALE DWG.)	ESCOCORPORATION
REV. DATE	ECO NO.	APPR.	SCALE: 2:1	SIZE: C
12-9-05	1131-05	MK	CODE NO. 13669	ELK RIVER, MINNESOTA, USA
NEXT ASSEMBLY	REVISIONS			SHT. 1 OF 3