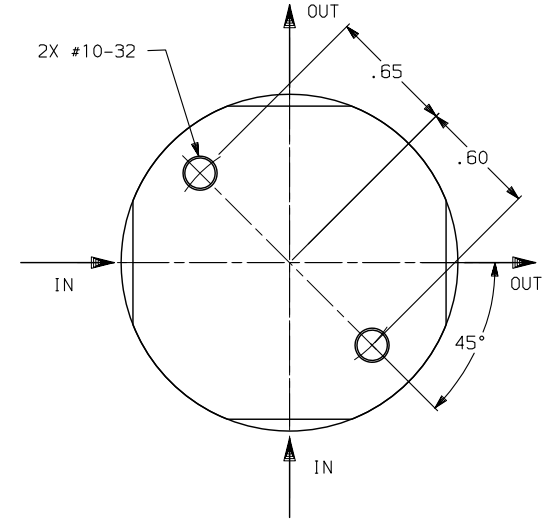
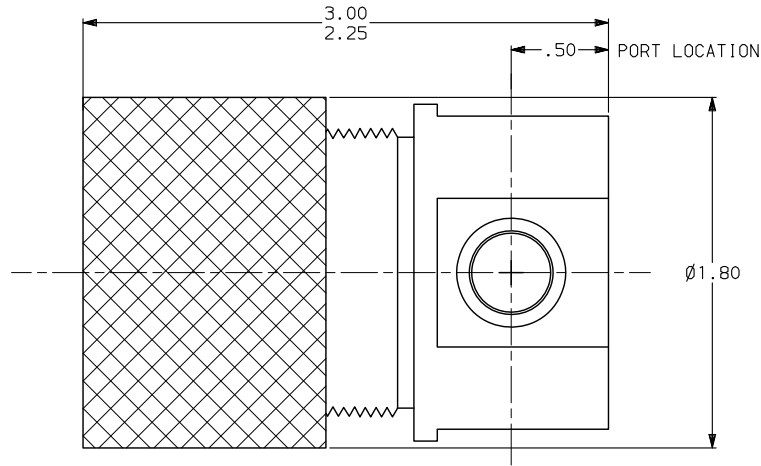
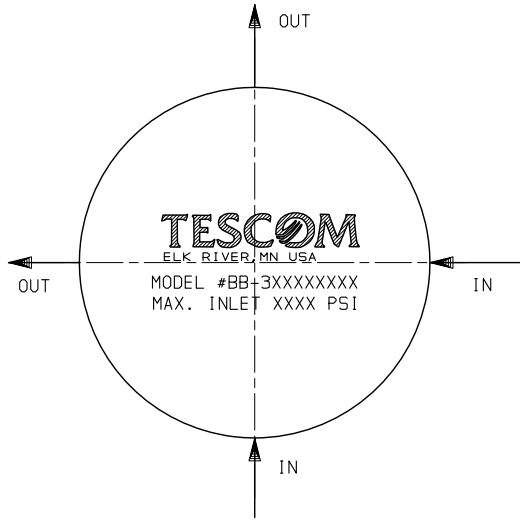
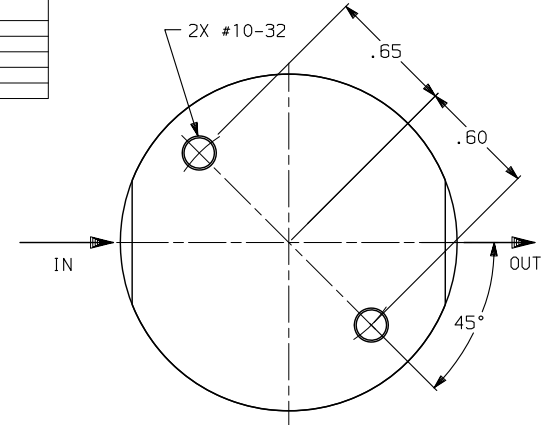


BB-3XXXXXXX



PORTING CONFIG -X4



PORTING CONFIG -X2

BB SERIES REGULATOR

SPRING LOADED, HAND OPERATED, PISTON SENSED BACK PRESSURE REGULATOR

GENERAL SPECIFICATIONS:

INLET PRESSURE: SEE TABLE IV
 OUTLET PRESSURE: N/A
 DESIGN PROOF PRESSURE: 150% OF RATED PRESSURE
 PRESSURE RATING: PER CRITERIA OF ANSI/ASME B31.3
 OPERATING TEMPERATURE: -15°F TO +165°F
-65° TO +165° W/ BUNA-N O-RINGS
UP TO +400°F W/ VESPEL OR PEEK SEAT
 LEAKAGE: BUBBLE TIGHT
 FLOW CAPACITY (Cv): .2
 WEIGHT: APPROXIMATELY 8 OZ.

MATERIALS CONTACTING LINE MEDIA:

SEAT: SEE TABLE V
 O-RINGS: SEE TABLE VI
 BODY: SEE TABLE II
 REMAINING PARTS:

BB-3XXXXXXX -- 300 SERIES SST & ALUM.
 BB-36XXXXXXX -- 316 SST

ASSEMBLY INFORMATION:

FOR ASSEMBLY OF BB-3XXLXXXXX USE SPEC: A60661-03
 FOR ASSEMBLY OF BB-3XXHXXXXX USE SPEC: A60661-19
 FOR ASSEMBLY OF BB-3XXDXXXXX USE SPEC: A60661-07

KITS:

NONMETALLIC:

REPAIR: BB-3XXLXKEXX - - - 389-6937
 BB-3XXDXKEXX - - - 389-6937
 BB-3XXLVVXX - - - 389-7050
 BB-3XXDXVVXX - - - 389-7050
 BB-3XXLXTNXX - - - 389-7180

SERIES NUMBER

BB-33AL1KEA4-A

TABLE I	DASH NO.	FUNCTION
	3	BACK PRESSURE

TABLE II	DASH NO.	BODY MATERIAL
	3	ALUM 6061
	6	316 SST

TABLE III	DASH NO.	LOAD TYPE
	A	ADJUSTABLE
	P	PRE-SETTABLE
	D	DOME (250 PSI MAX REF PRESS)

TABLE IV	DASH NO.	INLET PRESSURE	
		ADJUSTABLE	PRE-SETTABLE
	L1	0-80 PSI	0-80 PSI
	L2	0-140 PSI	80-140 PSI
	L3	0-220 PSI	140-220 PSI
	H1	0-700 PSI	220-700 PSI
	H2	0-1200 PSI	700-1200 PSI
	D1	0-250 PSI	DOME LOAD ONLY

TABLE VIII	DASH NO.	OPTIONS	ECO

TABLE VII	DASH NO.	PORTING CONFIG
	A4	1/4 NPT
	B4	1/4 SAE
	B2	1/4 SAE
	A2	1/4 NPT

TABLE VI	DASH NO.	O-RING SEAL
	E	ETHYLENE PROPYLENE
	K	KALREZ
	N	BUNA-N
	S	SPECIAL
	U	POLYURETHANE
	V	VITON

TABLE V	DASH NO.	SEAT
	A	TEFZEL
	K	CTFE
	V	VESPEL
	T	TEFLON

NOTES:

1 TEFLO SEAT IS ONLY AVAILABLE WITH INLET PRESSURE OF 250 PSI MAX.

REV.	DATE	ECO NO.	BY	APPR
AF	5-15-09	5321-09	JLS	DP
AE	7-24-06	1483-06	DKD	MKS
AD	2-23-06	1153-06	DKD	DP
AC	1-9-06	15-06	DKD	DP
AB	10-14-05	507-05	DKD	MKS
AA	11-20-03	1849-03	JK	MKS
Y	1-8-03	1018-03	RAG	MKS



INFORMATION CONTAINED ON THIS DOCUMENT IS THE PROPERTY OF TESCOM CORPORATION. NO RIGHTS ARE CONVEYED NOR IS PERMISSION TO DISCLOSE TO OTHERS GIVEN.

UNLESS OTHERWISE SPECIFIED:
 0 ± .020 ANGLES: ±1°
 .00 ± .010
 .000 ± .005
 SURFACE ROUGHNESS: 100/
 CORNER & FILLET RADII: .005-.020
 THREADS: CLASS 2
 REMOVE ALL BURRS
 MFG. SPEC. 60301

DRAWING MADE IN THIRD ANGLE PROJECTION
 (DO NOT SCALE DRAWING)

MATERIAL: X		
FINISH: X		
DRAWN BY: SJW	CHECKED BY: JH	APPROVED BY: JH
7-17-95	7-24-95	7-24-95
NAME: INSTALLATION INFO.		
SCALE: 2:1	SIZE: C	NUMBER: BB-3XXXXXXX
CODE NO. 13669	SHT. 1	OF 1