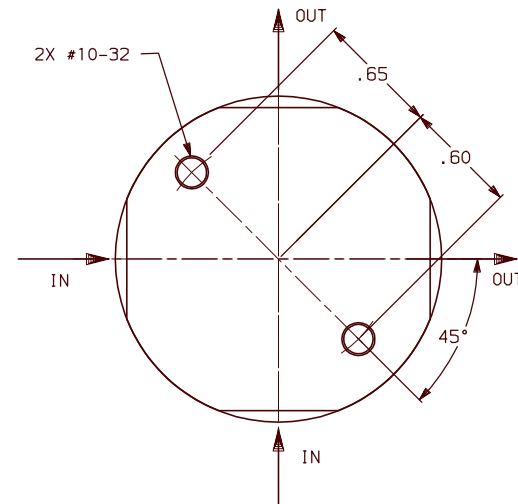
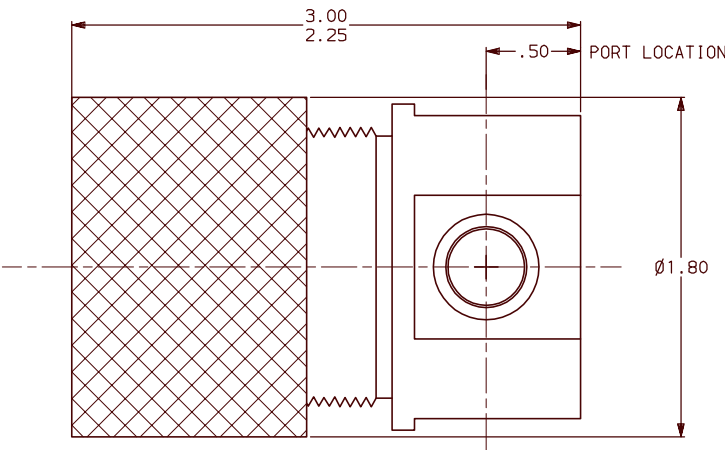
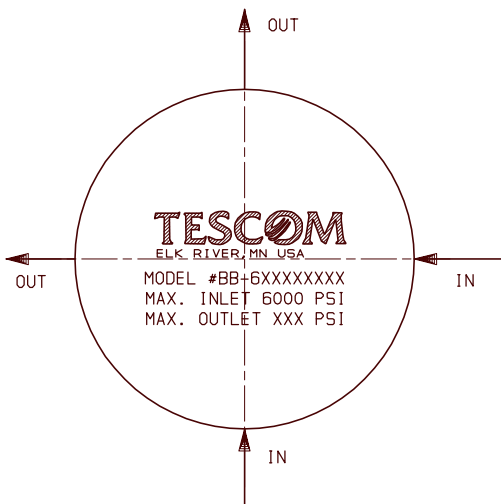
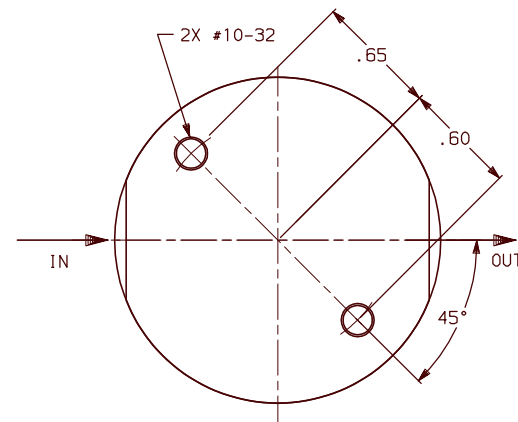


BB-6XXXXXXX



PORTING CONFIG -X4



PORTING CONFIG -X2

BB SERIES REGULATOR

SPRING LOADED, HAND OPERATED, PISTON SENSED PRESSURE REDUCING REGULATOR

MODIFICATION FEATURES:

BODY & TRIM: 316 SST

GENERAL SPECIFICATIONS:

INLET PRESSURE: 6000 PSIG MAX.
OUTLET PRESSURE: SEE TABLE IV
DESIGN PROOF PRESSURE: 150% OF RATED PRESSURE
PRESSURE RATING: PER CRITERIA OF ANSI/ASME B31.3
OPERATING TEMPERATURE: -15°F TO +165°F
-65° TO +165° W/ BUNA-N O-RINGS
UP TO +400°F W/ VESPEL OR PEAK SEAT
LEAKAGE: BUBBLE TIGHT
FLOW CAPACITY (CV): .06
WEIGHT: APPROXIMATELY 8 OZ.

MATERIALS CONTACTING LINE MEDIA:

SEAT: SEE TABLE V
O-RINGS: SEE TABLE VI
BODY: SEE TABLE II
REMAINING PARTS: 316 SST

ASSEMBLY INFORMATION:

FOR ASSEMBLY OF BB-6XXLXXXXX USE SPEC: A60661-01
FOR ASSEMBLY OF BB-6XXHXXXXX USE SPEC: A60661-02

KITS:

NONMETALLIC:

REPAIR:

389-6566 - - BB-66XLKXNX-A (NORDSON)

SERIES NUMBER

BB-66AL3KEA4

TABLE I	DASH NO.	FUNCTION
	6	PRESSURE REDUCING

TABLE II	DASH NO.	BODY MATERIAL
	6	316 SST

TABLE III	DASH NO.	LOAD TYPE
	A	ADJUSTABLE
	P	PRE-SETTABLE

TABLE IV	DASH NO.	OUTLET PRESSURE	
		ADJUSTABLE	PRE-SETTABLE
	L1	0-80 PSI	0-80 PSI
	L2	0-140 PSI	80-140 PSI
	L3	0-220 PSI	140-220 PSI
	H1	0-700 PSI	220-700 PSI
	H2	0-1200 PSI	700-1200 PSI
	H3	0-1800 PSI	1200-1800 PSI

TABLE VII	DASH NO.	PORTING CONFIG
	A4	1/4 NPT
	B4	1/4 SAE
	A2	1/4 NPT
	B2	1/4 SAE

TABLE VI	DASH NO.	O-RING SEAL
	E	ETHYLENE PROPYLENE
	K	KALREZ
	N	BUNA-N
	S	SPECIAL
	V	VITON

TABLE V	DASH NO.	SEAT
	K	KEL-F
	V	VESPEL
	P	PEEK

REV.	DATE	ECO NO.	BY:	APPR
U	11-5-04	1800-04	SKO	DP
T	5-28-04	1446-04	JK	DP
S	11-24-03	1852-03	JK	MKS
R	10-8-03	1688-03	JK	MKS
P	1-27-03	29-03	RAG	MKS
N	10-23-02	1219-02	RAG	MKS
M	4-16-01	1-01	EWN	DP
L	8-17-00	1100-00	SKO	MKS

TESCOM CORPORATION
INDUSTRIAL CONTROLS DIVISION
ELK RIVER, MN USA

INFORMATION CONTAINED ON THIS DOCUMENT IS THE PROPERTY OF TESCOM CORPORATION. NO RIGHTS ARE CONVEYED NOR IS PERMISSION TO DISCLOSE TO OTHERS GIVEN.

UNLESS OTHERWISE SPECIFIED:
.0 ± .020 ANGLES: ±1°
.00 ± .010
.000 ± .005
SURFACE ROUGHNESS: 100/
CORNER & FILLET RADII: .005-.020
THREADS: CLASS 2
REMOVE ALL BURRS
MFG. SPEC. 80301

DRAWING MADE IN THIRD ANGLE PROJECTION
(DO NOT SCALE DRAWING)

MATERIAL: α

FINISH: α

DRAWN BY: S/JW 10-30-95	CHECKED BY: JH 11-2-95	APPROVED BY: JH 11-2-95
------------------------------	-----------------------------	------------------------------

NAME: **INSTALLATION INFO.**

SCALE: 2:1	SIZE: C	NUMBER: BB-6XXXXXXX
CODE NO. 13669	SHT. 1	OF 1